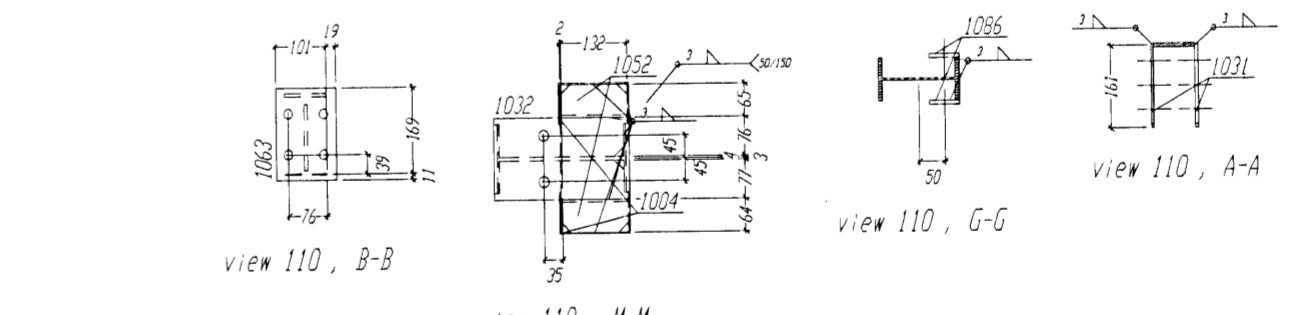
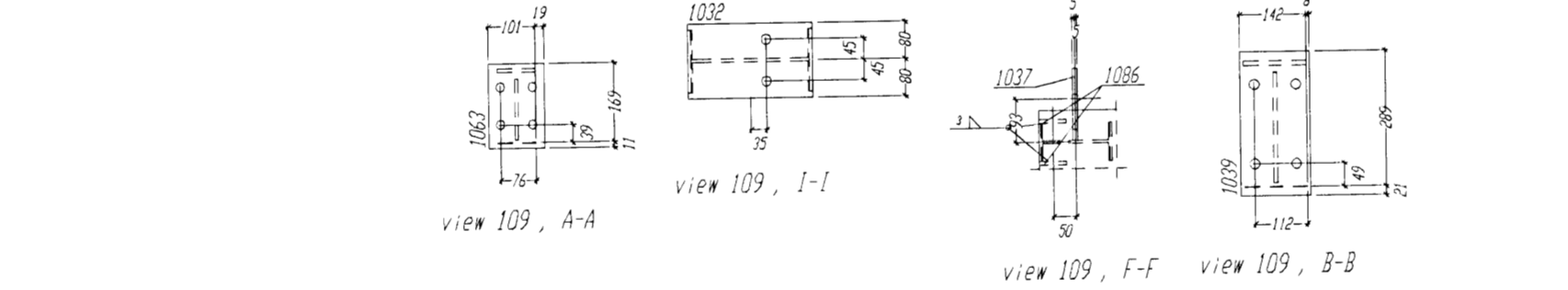
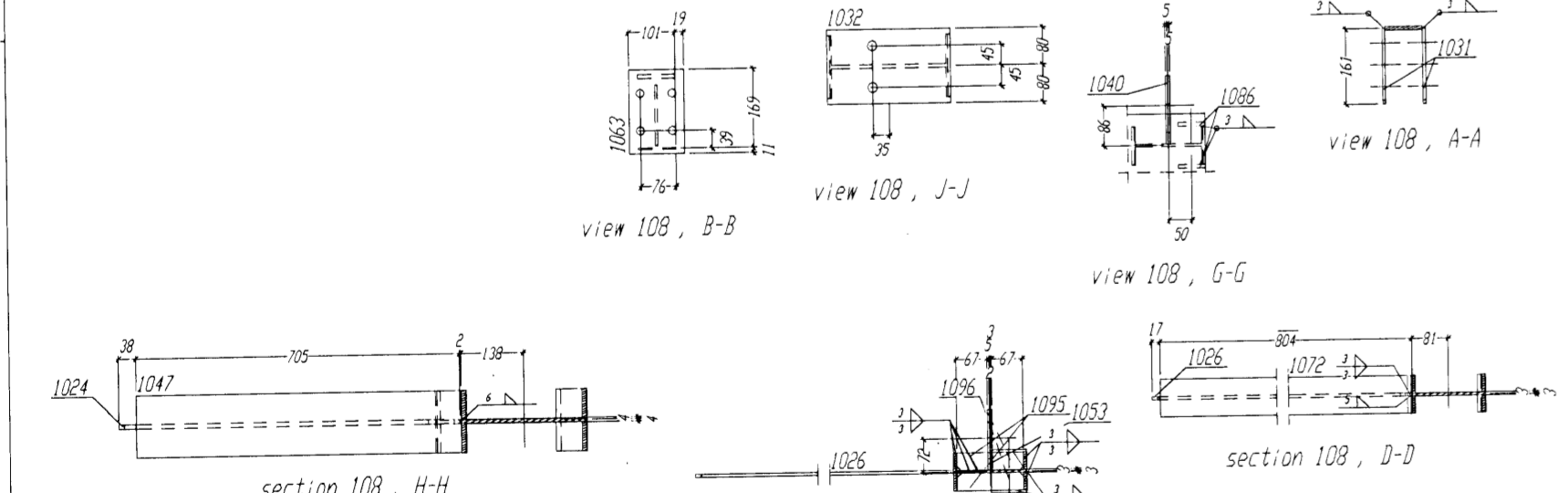


Bill of material for 1 Ship-DOS 110 total 0 x none

no	part	pos	designation	qty	profil	quality	length	weight	plan
1	110	TRACER	1	1	10020	S235,AR23	2500	97.33	
2	11001		1	1	10010	S235,AR23	2080	51.93	
3	11004		2	2	10040	S235,AR23	700	15.72	
4	11004	STEELBCH	1	1	10040	S235,AR23	800	9.44	
5	11004	STEELBCH	1	1	10040	S235,AR23	270	5.99	
6	11004	BLECH	2	2	10040	S235,AR23	130	1.61	
7	11004	KNUTENBLECH	1	1	10040	S235,AR23	310	10.99	
8	11004	KNUTENBLECH	1	1	10040	S235,AR23	160	1.92	
9	11004	KNUTENBLECH	1	1	10040	S235,AR23	135	1.44	
10	11004	PLATE	1	1	10040	S235,AR23	970	10.29	
11	11004	PLATE	1	1	10040	S235,AR23	707	7.49	
12	11004	PLATE	1	1	10040	S235,AR23	180	4.24	
13	11004	PLATE	1	1	10040	S235,AR23	960	4.98	
14	11004	PLATE	1	1	10040	S235,AR23	862	4.33	
15	11004	RIPPE	2	2	10040	S235,AR23	248	2.48	
16	11004	RIPPE	2	2	10040	S235,AR23	150	3.00	
17	11004	RIPPE	2	2	10040	S235,AR23	144	6.9	
18	11004	RIPPE	2	2	10040	S235,AR23	70	3.31	
19	11004	RIPPE	2	2	10040	S235,AR23	10	0.52	
total weight (kg)									218.10

Shipping dimensions (H x B x L): 1004 x 237 x 9324



Bill of material for 1 Ship-DOS 108 total 1 x none

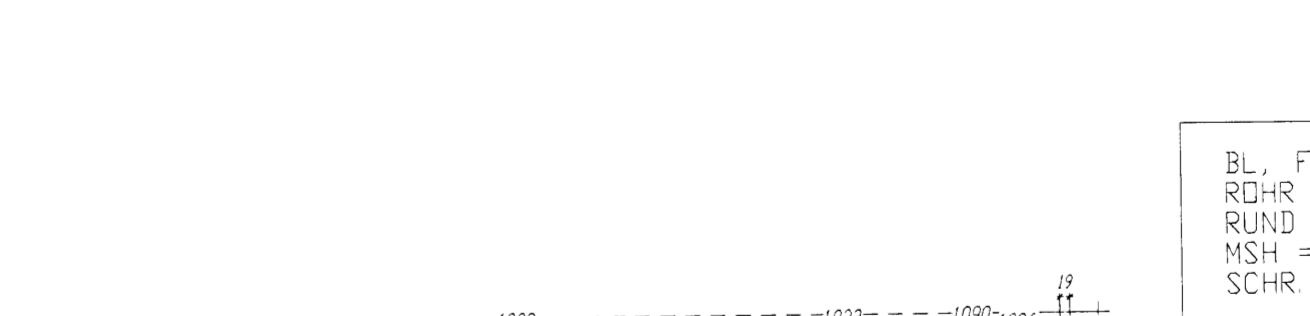
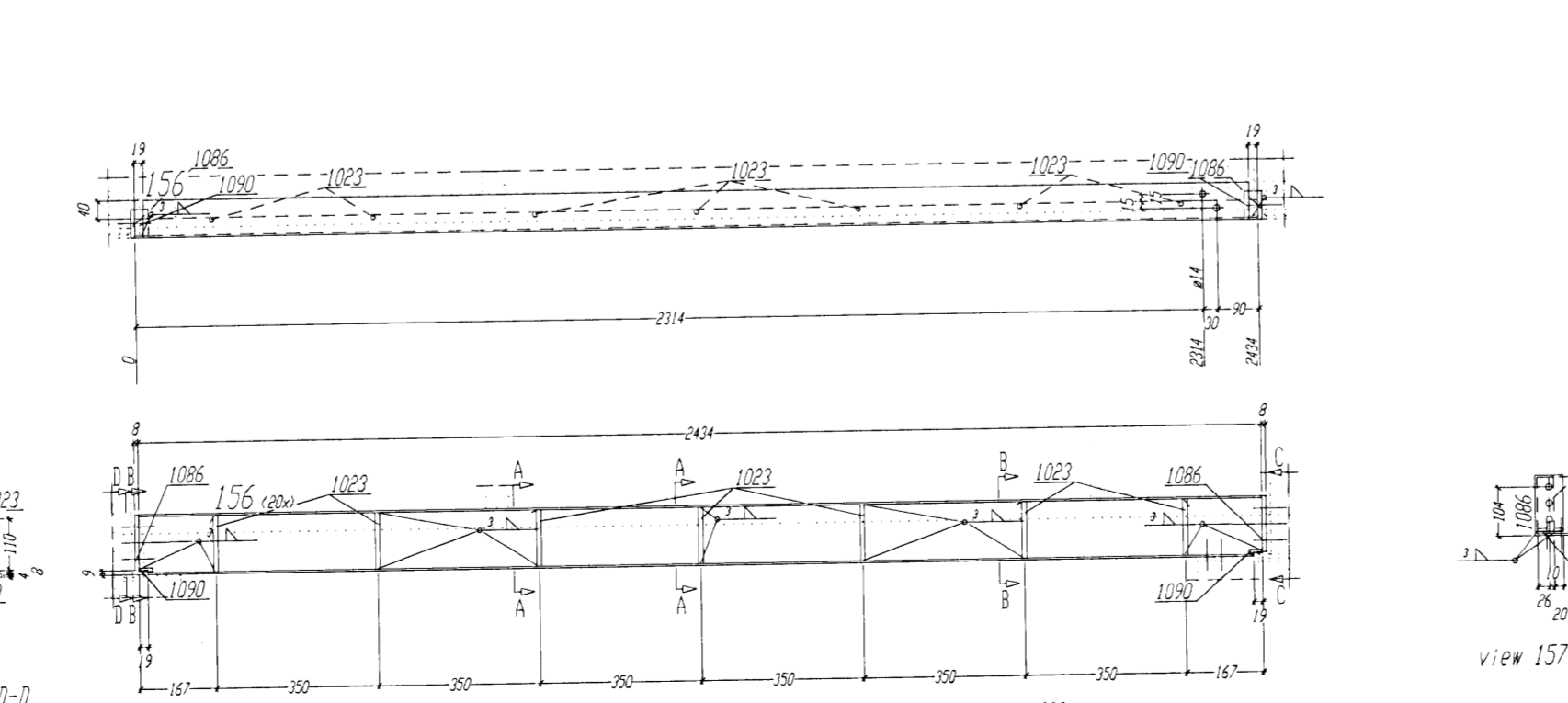
no	part	pos	designation	qty	profil	quality	length	weight	plan
1	108	TRACER	1	1	10020	S235,AR23	2500	97.33	
2	10801		1	1	10010	S235,AR23	2080	51.93	
3	10804		2	2	10040	S235,AR23	700	15.72	
4	10804	STEELBCH	1	1	10040	S235,AR23	800	9.44	
5	10804	STEELBCH	1	1	10040	S235,AR23	270	5.99	
6	10804	BLECH	2	2	10040	S235,AR23	130	1.61	
7	10804	KNUTENBLECH	1	1	10040	S235,AR23	310	10.99	
8	10804	KNUTENBLECH	1	1	10040	S235,AR23	160	1.92	
9	10804	KNUTENBLECH	1	1	10040	S235,AR23	135	1.44	
10	10804	PLATE	1	1	10040	S235,AR23	970	10.29	
11	10804	PLATE	1	1	10040	S235,AR23	707	7.49	
12	10804	PLATE	1	1	10040	S235,AR23	180	4.24	
13	10804	PLATE	1	1	10040	S235,AR23	960	4.98	
14	10804	PLATE	1	1	10040	S235,AR23	862	4.33	
15	10804	RIPPE	2	2	10040	S235,AR23	248	2.48	
16	10804	RIPPE	2	2	10040	S235,AR23	150	3.00	
17	10804	RIPPE	2	2	10040	S235,AR23	144	6.9	
18	10804	RIPPE	2	2	10040	S235,AR23	70	3.31	
19	10804	RIPPE	2	2	10040	S235,AR23	10	0.52	
total weight (kg)									676.52

Shipping dimensions (H x B x L): 1004 x 242 x 9850

Bill of material for 1 Ship-DOS 109 total 1 x none

no	part	pos	designation	qty	profil	quality	length	weight	plan
1	109	TRACER	1	1	10020	S235,AR23	2500	97.33	
2	10901		1	1	10010	S235,AR23	2080	51.93	
3	10904		1	1	10040	S235,AR23	700	15.72	
4	10904	STEELBCH	1	1	10040	S235,AR23	800	9.44	
5	10904	BLECH	2	2	10040	S235,AR23	130	1.61	
6	10904	KNUTENBLECH	1	1	10040	S235,AR23	310	10.99	
7	10904	KNUTENBLECH	1	1	10040	S235,AR23	160	1.92	
8	10904	KNUTENBLECH	1	1	10040	S235,AR23	135	1.44	
9	10904	PLATE	1	1	10040	S235,AR23	970	10.29	
10	10904	PLATE	1	1	10040	S235,AR23	707	7.49	
11	10904	PLATE	1	1	10040	S235,AR23	180	4.24	
12	10904	PLATE	1	1	10040	S235,AR23	960	4.98	
13	10904	RIPPE	2	2	10040	S235,AR23	248	2.48	
14	10904	RIPPE	2	2	10040	S235,AR23	150	3.00	
15	10904	RIPPE	2	2	10040	S235,AR23	144	6.9	
16	10904	RIPPE	2	2	10040	S235,AR23	70	3.31	
17	10904	RIPPE	2	2	10040	S235,AR23	10	0.52	
18	10904	RIPPE	2	2	10040	S235,AR23	10	0.52	
total weight (kg)									218.10

Shipping dimensions (H x B x L): 1004 x 237 x 9324



Bill of material for 1 Ship-DOS 108 total 1 x none

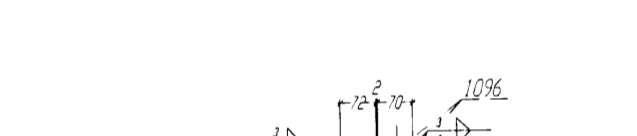
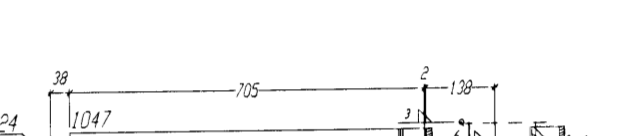
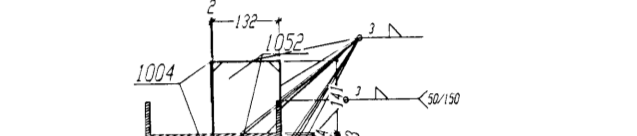
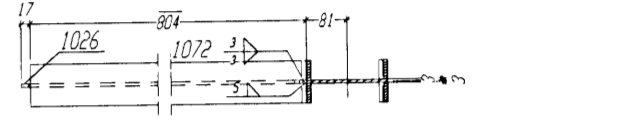
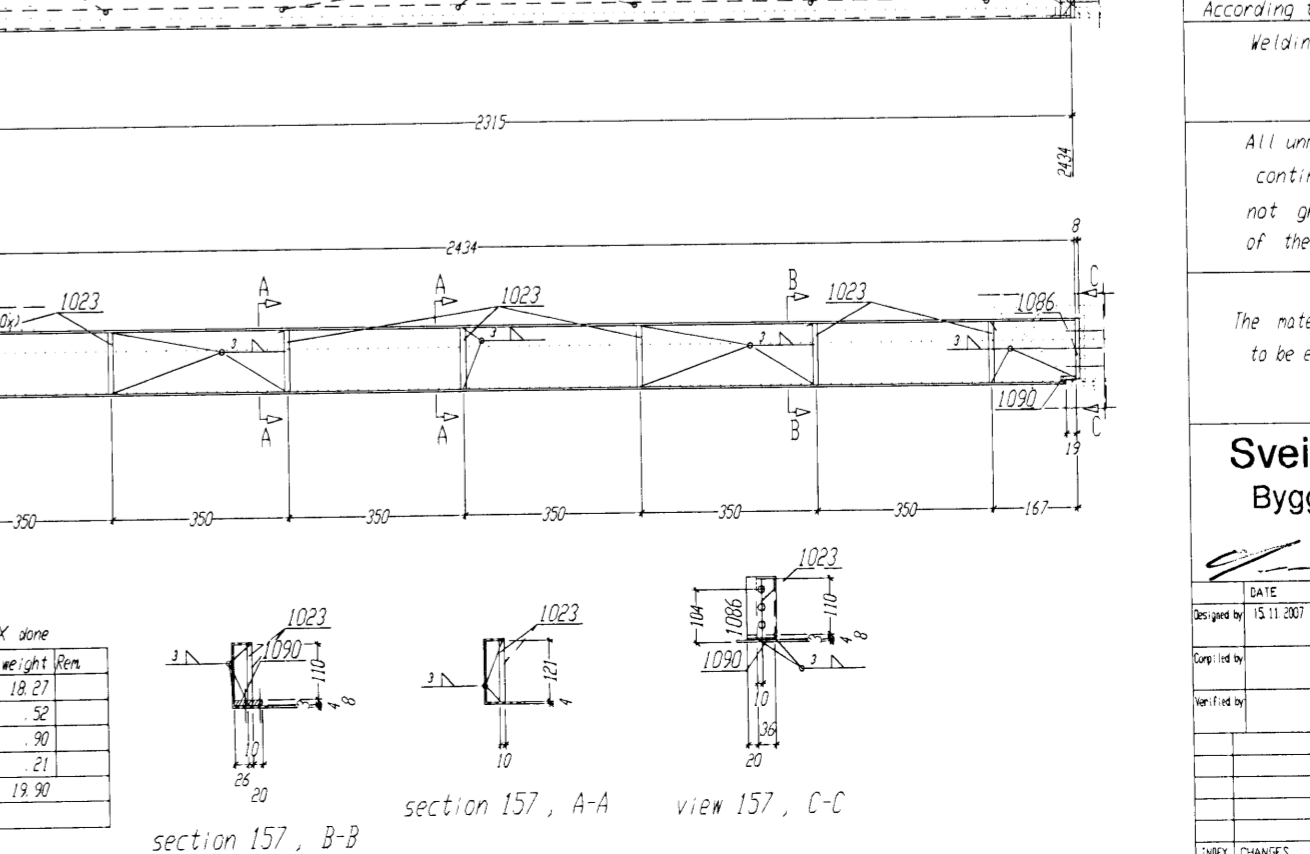
no	part	pos	designation	qty	profil	quality	length	weight	plan
1	108	TRACER	1	1	10020	S235,AR23	2500	97.33	
2	10801		1	1	10010	S235,AR23	2080	51.93	
3	10804		2	2	10040	S235,AR23	700	15.72	
4	10804	STEELBCH	1	1	10040	S235,AR23	800	9.44	
5	10804	STEELBCH	1	1	10040	S235,AR23	270	5.99	
6	10804	BLECH	2	2	10040	S235,AR23	130	1.61	
7	10804	KNUTENBLECH	1	1	10040	S235,AR23	310	10.99	
8	10804	KNUTENBLECH	1	1	10040	S235,AR23	160	1.92	
9	10804	KNUTENBLECH	1	1	10040	S235,AR23	135	1.44	
10	10804	PLATE	1	1	10040	S235,AR23	970	10.29	
11	10804	PLATE	1	1	10040	S235,AR23	707	7.49	
12	10804	PLATE	1	1	10040	S235,AR23	180	4.24	
13	10804	PLATE	1	1	10040	S235,AR23	960	4.98	
14	10804	PLATE	1	1	10040	S235,AR23	862	4.33	
15	10804	RIPPE	2	2	10040	S235,AR23	248	2.48	
16	10804	RIPPE	2	2	10040	S235,AR23	150	3.00	
17	10804	RIPPE	2	2	10040	S235,AR23	144	6.9	
18	10804	RIPPE	2	2	10040	S235,AR23	70	3.31	
19	10804	RIPPE	2	2	10040	S235,AR23	10	0.52	
total weight (kg)									676.52

Shipping dimensions (H x B x L): 1004 x 242 x 9850

Bill of material for 1 Ship-DOS 109 total 1 x none

no	part	pos	designation	qty	profil	quality	length	weight	plan
1	109	TRACER	1	1	10020	S235,AR23	2500	97.33	
2	10901		1	1	10010	S235,AR23	2080	51.93	
3	10904		1	1	10040	S235,AR23	700	15.72	
4	10904	STEELBCH	1	1	10040	S235,AR23	800	9.44	
5	10904	BLECH	2	2	10040	S235,AR23	130	1.61	
6	10904	KNUTENBLECH	1	1	10040	S235,AR23	310	10.99	
7	10904	KNUTENBLECH	1	1	10040	S235,AR23	160	1.92	
8	10904	KNUTENBLECH	1	1	10040	S235,AR23	135	1.44	
9	10904	PLATE	1	1	10040	S235,AR23	970	10.29	
10	10904	PLATE	1	1	10040	S235,AR23	707	7.49	
11	10904	PLATE	1	1	10040	S235,AR23	180	4.24	
12	10904	PLATE	1	1	10040	S235,AR23	960	4.98	
13	10904	RIPPE	2	2	10040	S235,AR23	248	2.48	
14	10904	RIPPE	2	2	10040	S235,AR23	150	3.00	
15	10904	RIPPE	2	2	10040	S235,AR23	144	6.9	
16	10904	RIPPE	2	2	10040	S235,AR23	70	3.31	
17	10904	RIPPE	2	2	10040	S235,AR23	10	0.52	
18	10904	RIPPE	2	2	10040	S235,AR23	10	0.52	
total weight (kg)									218.10

Shipping dimensions (H x B x L): 1004 x 237 x 9324



Samþykkt þann
03 JULI 2008
Byggingarfulltrúinn í Hafnarfirði
F.h. Höfrói S. Gunnlaugsson

BL, FL = PLATE
RDHR = TUBE
RUND = STEEL BAR
MSH = RHS
SCHR = BOLT, SCREW

Tolerance for welded constructions
According to DIN 9572, Pt. 1-3: 2010, 10-97

Required torques prestressing forces and forces
Tens on angles according to DIN 18900 Pt. 1, 05-93

All unmarked welds to be fillet
continuous stiffen thick,
not greater than 0.7 d
of the thinner element

The material for esp. plates 120 mm thick
to be examined for laminations

Sveinbjörn Hinriksson
Byggingatæknifráeðingur

Kl. 160851-2529
Brekkuþú 8 Hafnarfirði
Sími 555-1008 561-0551
Netfang sveinh@netnet.is

Pos 108-110, 156-157
-GJAEHLLA 15
-221 HAFNARF JORDUR

1:10 SCALE

DATE: 23.5.08

DR: FC

102