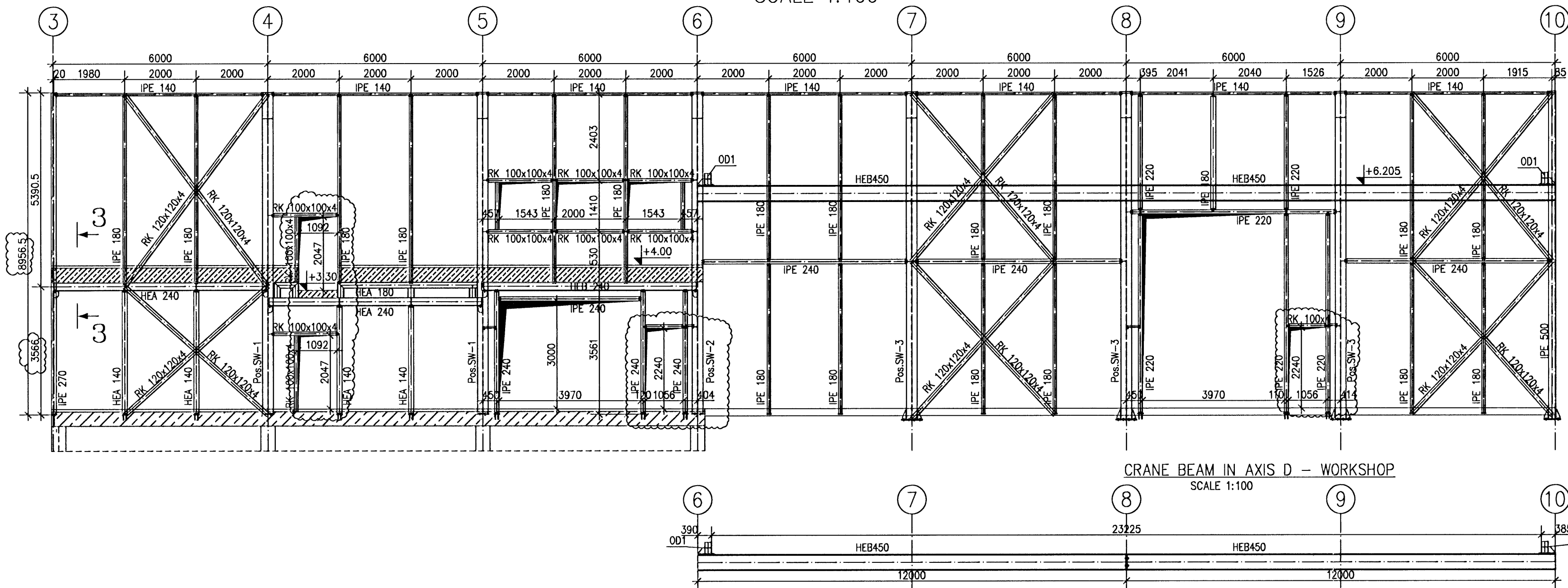
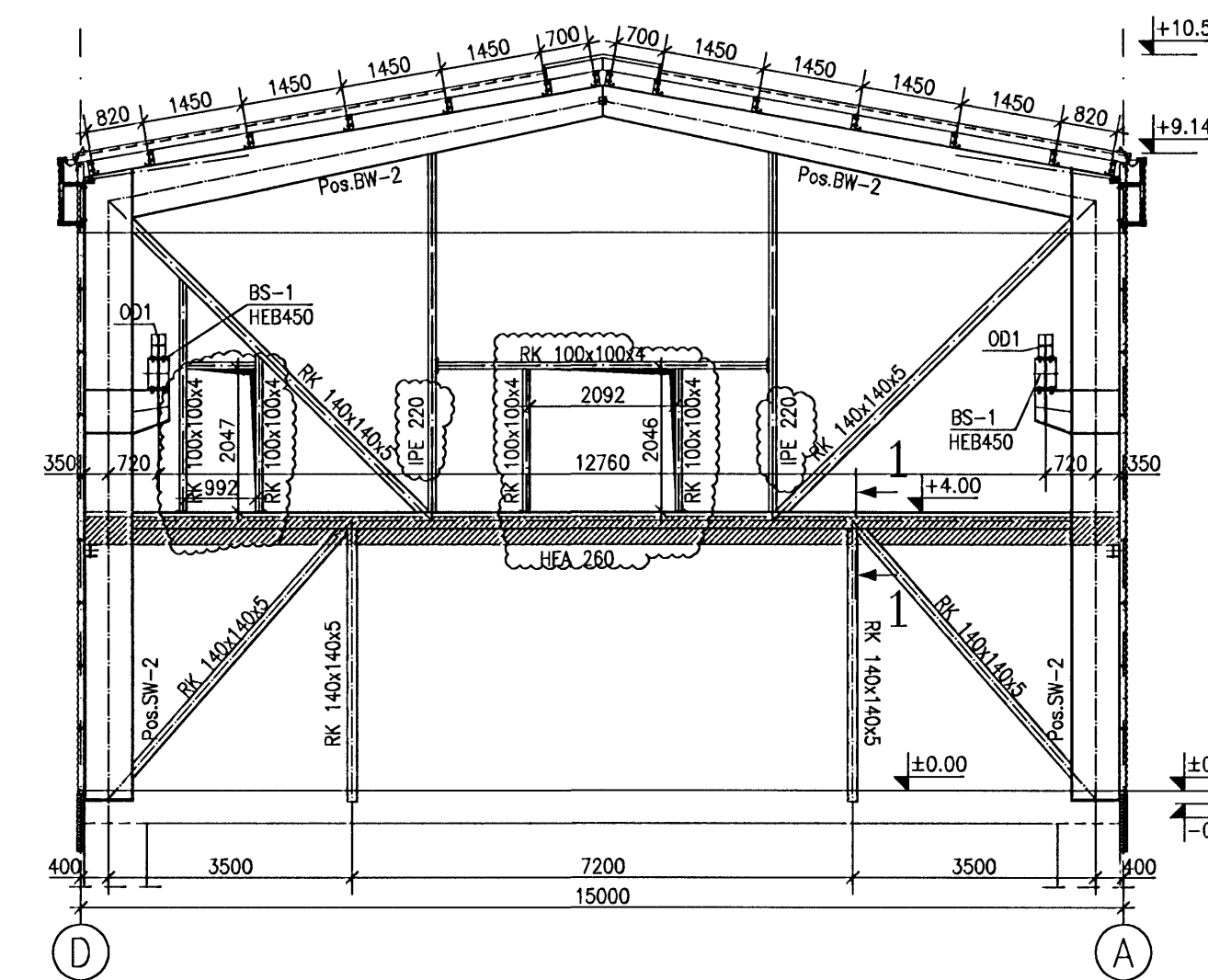


WALL IN AXIS D – WORKSHOP
SCALE 1:100



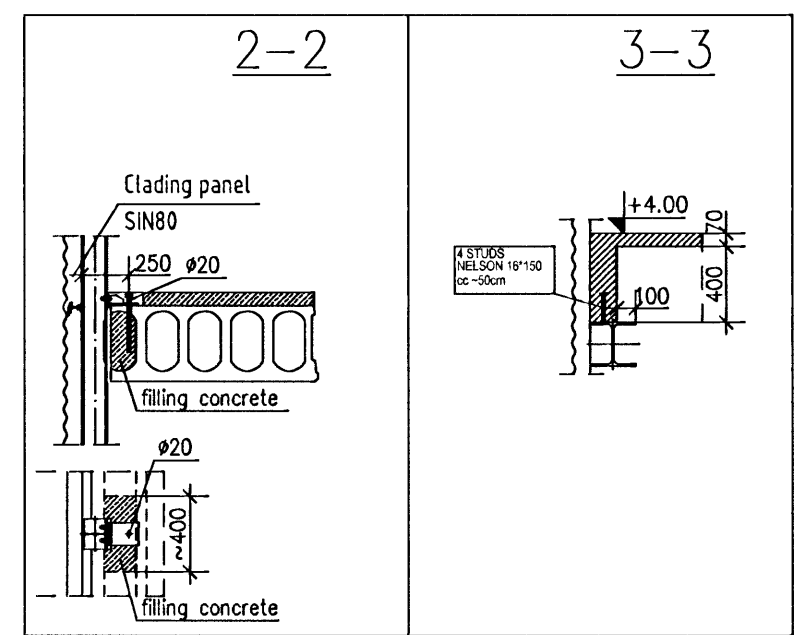
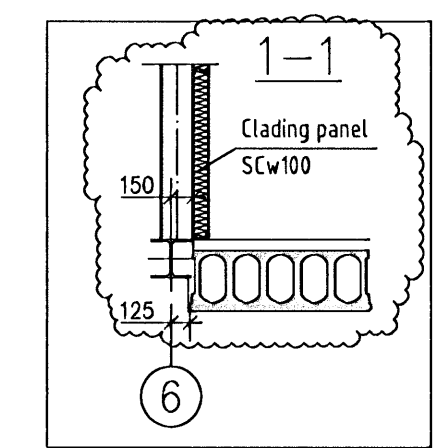
FRAME IN AXIS 6 – WORKSHOP
SCALE 1:100



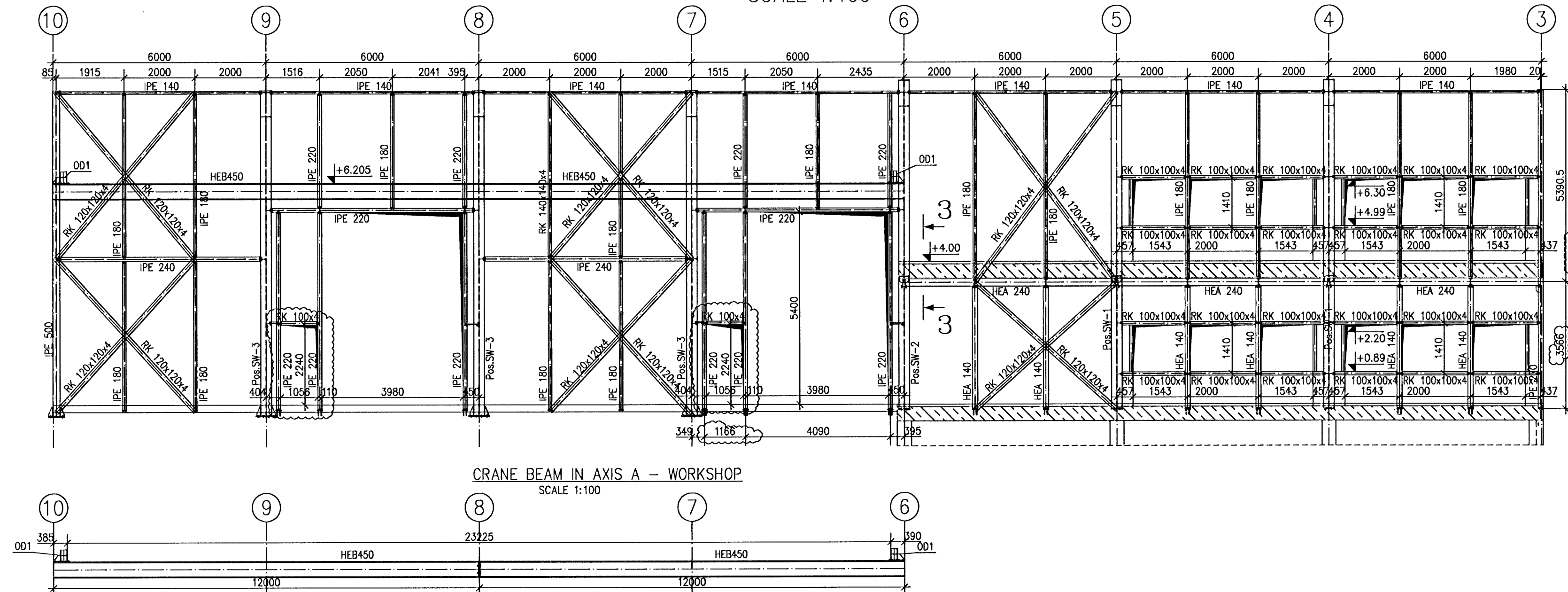
Epe Lin
231161-3919

Línhönnun
consulting engineers
Sturlarmannsgata 4A, 15-100 Reykjavík
Tel: +354 565 1500; Fax: +354 565 1501

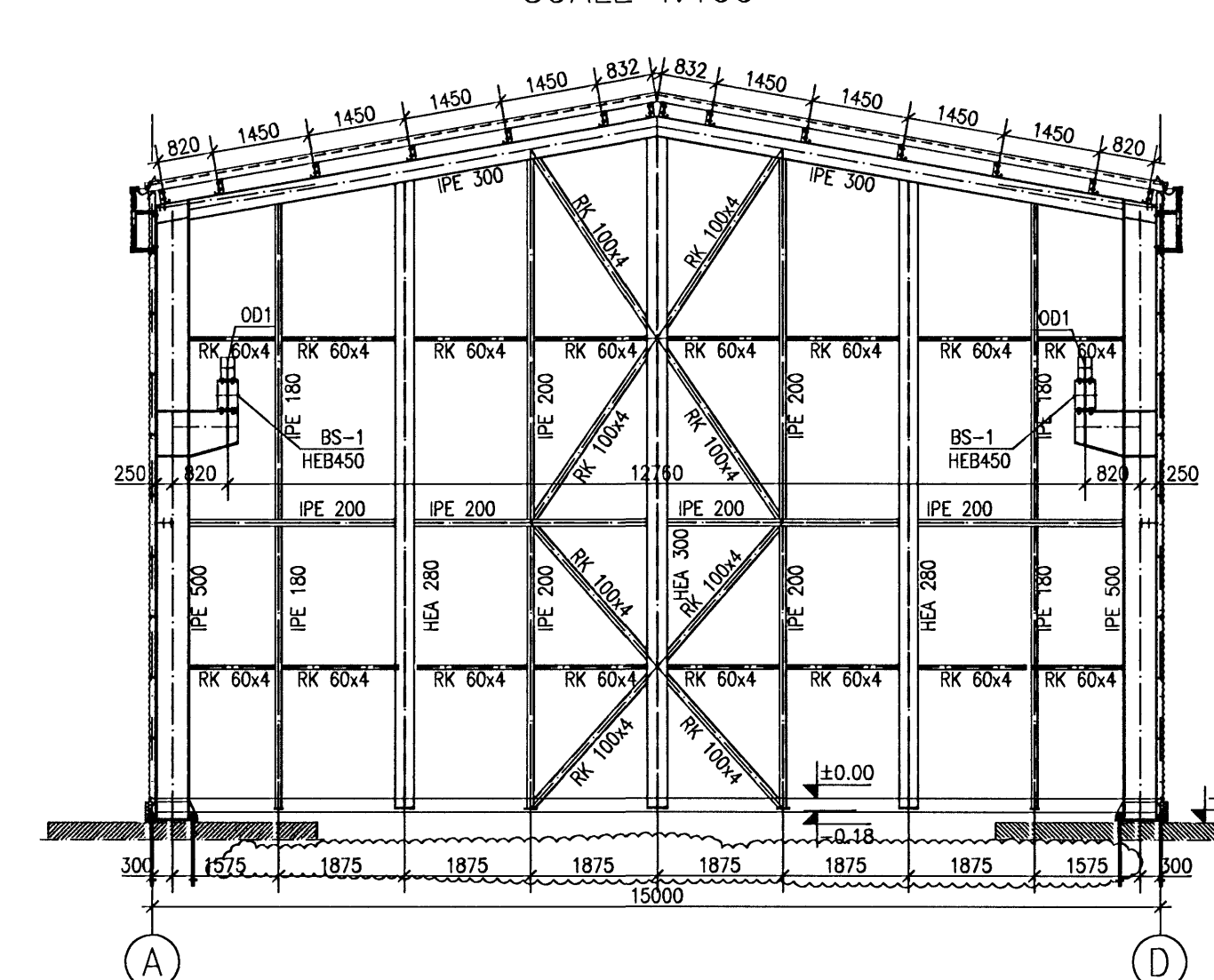
Samþykkt þann
01 SEPTEMBER 2008
Byggingarfulltrúinn í Hafnarfjörð
F.h. Hrólfur S. Gunnlaugsson



WALL IN AXIS A – WORKSHOP
SCALE 1:100



FRAME IN AXIS 10 – WORKSHOP
SCALE 1:100



Steel S355
Bolts cl. 8.8

ALL BUTT JOINTS THAT ARE NOT DESCRIBED OUGHT TO BE EXECUTED IN THICKNESS OF THINNER FROM CONNECTED ELEMENTS

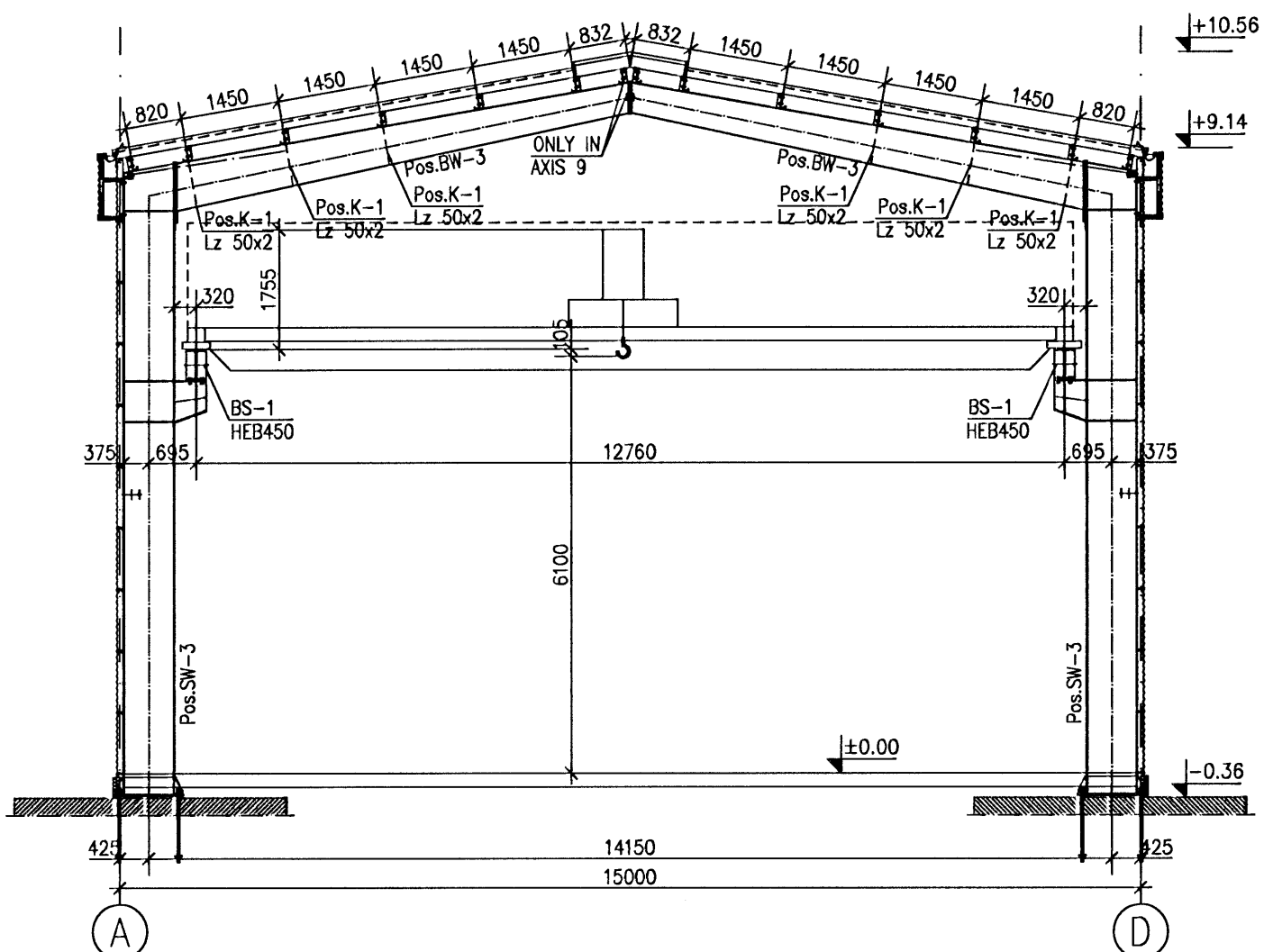
ALL FILLET WELDS THAT ARE NOT DESCRIBED OUGHT TO BE EXECUTED IN THICKNESS:

- ONE-SIDED JOINTS - 0,7t₁ } but 2,5mm < a < 5mm
- TWO-SIDED JOINTS - 0,5t₁

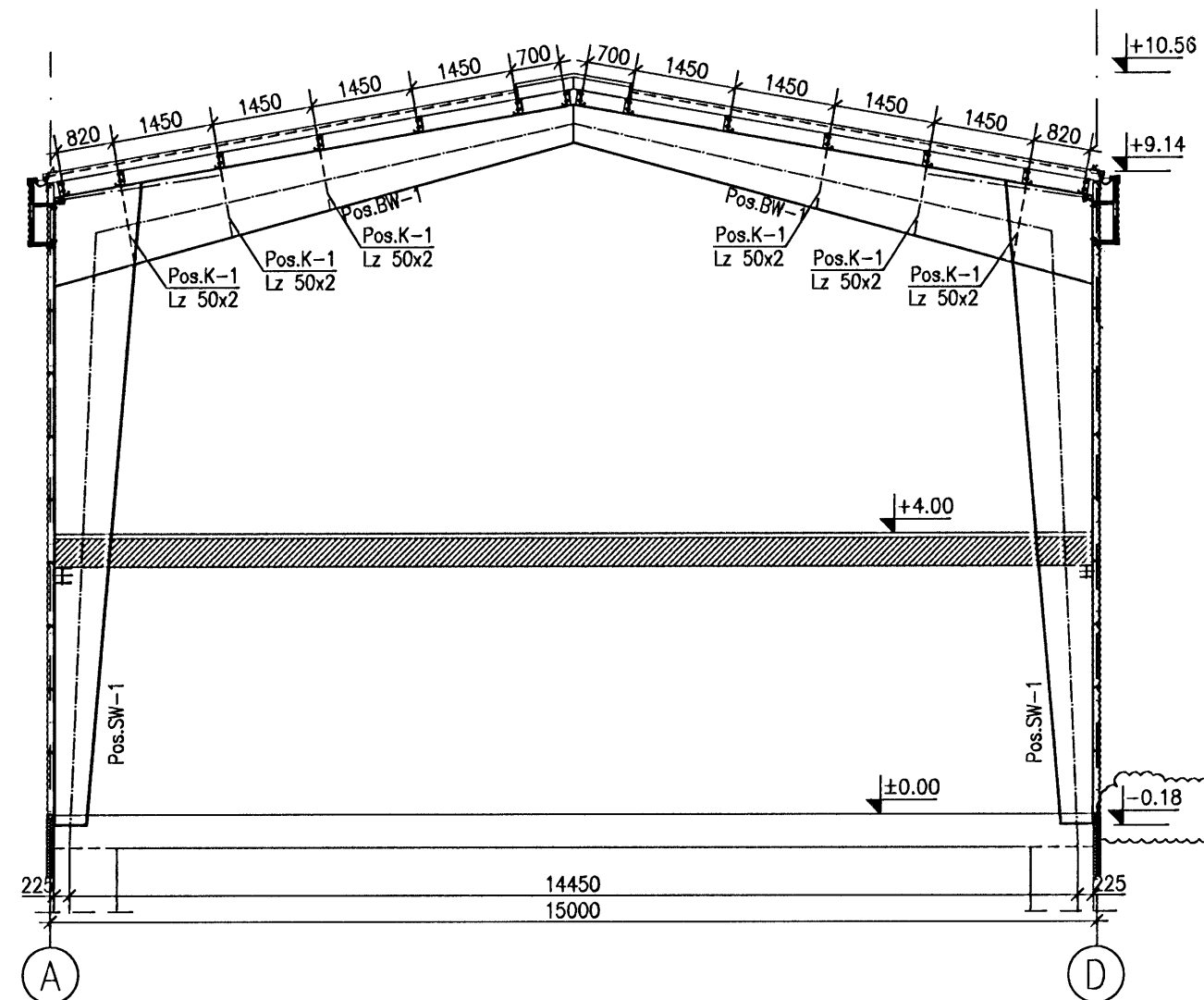
WHERE: t₁ - THICKNESS OF THINNER FROM CONNECTED ELEMENTS

- STRUCTURE CLASS "2" ACC. TO PN-B-06200:2002
- BOLTS
 - FOR SIMPLE CONNECTIONS OF CL 8.8 ACC. TO DIN 7990 - galvanized cell
 - FOR COMPRESSED CONNECTIONS OF CL 10.9 ACC. TO DIN 6914 - galvanized cell
- THE MOMENT OF SCREW HOME AND METHOD OF LUBRICATING - ACC. TO BOLTS' MANUFACTURER (i.e. FENNER HV M20 bolt of class 10.9, lubricated originally M05, screw home moment 450 Nm)
- ELEMENTS TOLERANCE - MINUS
- BUTT JOINTS OUGHT TO BE CONTROLLED WITH FLAW DETECTOR

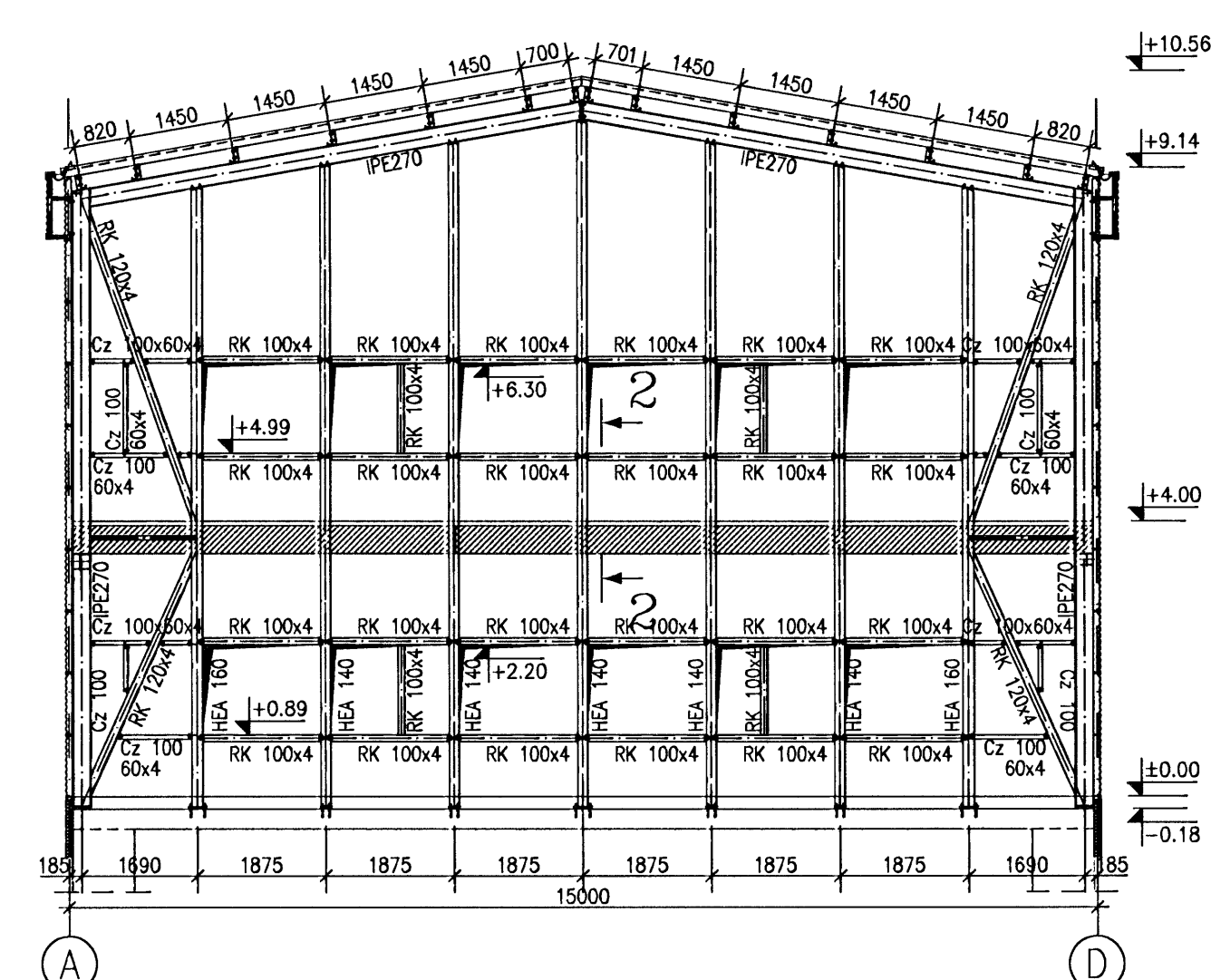
FRAME IN AXIS 7,8,9 – WORKSHOP
SCALE 1:100



FRAME IN AXIS 4,5 – WORKSHOP
SCALE 1:100



FRAME IN AXIS 3 – WORKSHOP
SCALE 1:100



poziom ±0,00=h=31,95m

B	07.03.2008	CHANGES ARE MARKED BY THE CLOUDS
A	25.02.2008	CHANGES ARE MARKED BY THE CLOUDS
Revision	Date	Change
Documentation Stage:	Branch:	Date:
Construction design	Steel Construction	2008-02-06
Object, Name and Address:	Drawing name:	Scale:
	FRAMES PLAN- WORKSHOP	1:100 1:10
<p>rukki Inżynierska Pracownia Sp. z o.o. ul. Towarowa 35 01-689 Warszawa POLSKA tel. +48 51 85 12 300 fax +48 51 85 12 310 www.rukki.com.pl</p> <p>Finnmap Polska ul. Wesoła 10p/11 10-407 Olsztyn POLSKA tel. +48 89 533 31 42 fax +48 89 533 31 42 www.finnmap.pl</p>		
Designed by:	Project No.:	Drawing No.:
Piotr Walośki	02.1000	008
Prepared by:	Rev.:	
Bartosz Reguśki	B	
Verified by:		
Krzysztof Bednarski		