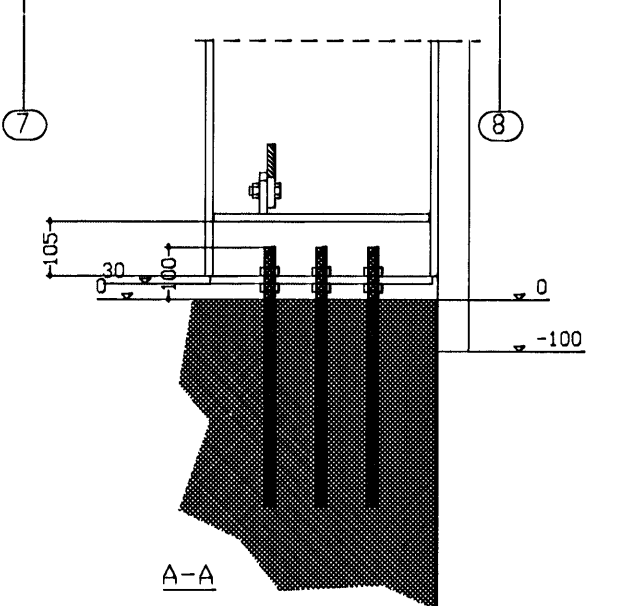


Chemical anchor M16x190 delivered with structure (Fix it with assembling windows?)

B-B

Byggingafultrúi Hafnarjardar
Afgreitt þann
23 SEP 2008



STATUS: DRAWING TO BUILD	H. Hardeman BV	TEK: C.G. Zandag
Projekt: BREIÐHELLA 12		DAT: 28.01.2008
Opdrachtgever: HAFNARF IRDI		WIJZ:
Onderwerp: Landstolpi EHF		
Anchorslotdrawing		BLADNR: A01_A
Postbus 376 3900 AJ Veendam Tel: 0318-321700 Fax: 0318-546651		WERKNR: 51042

