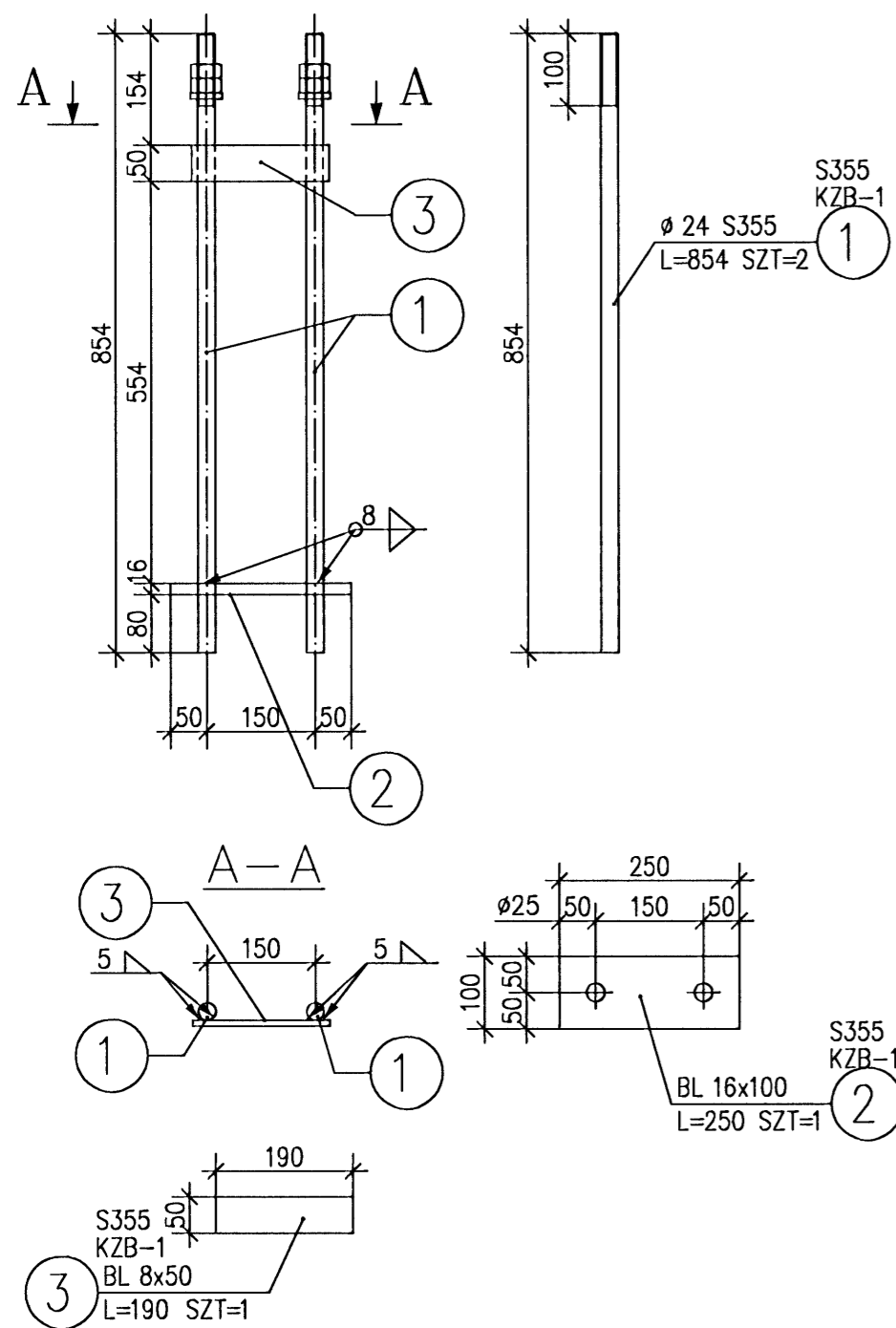
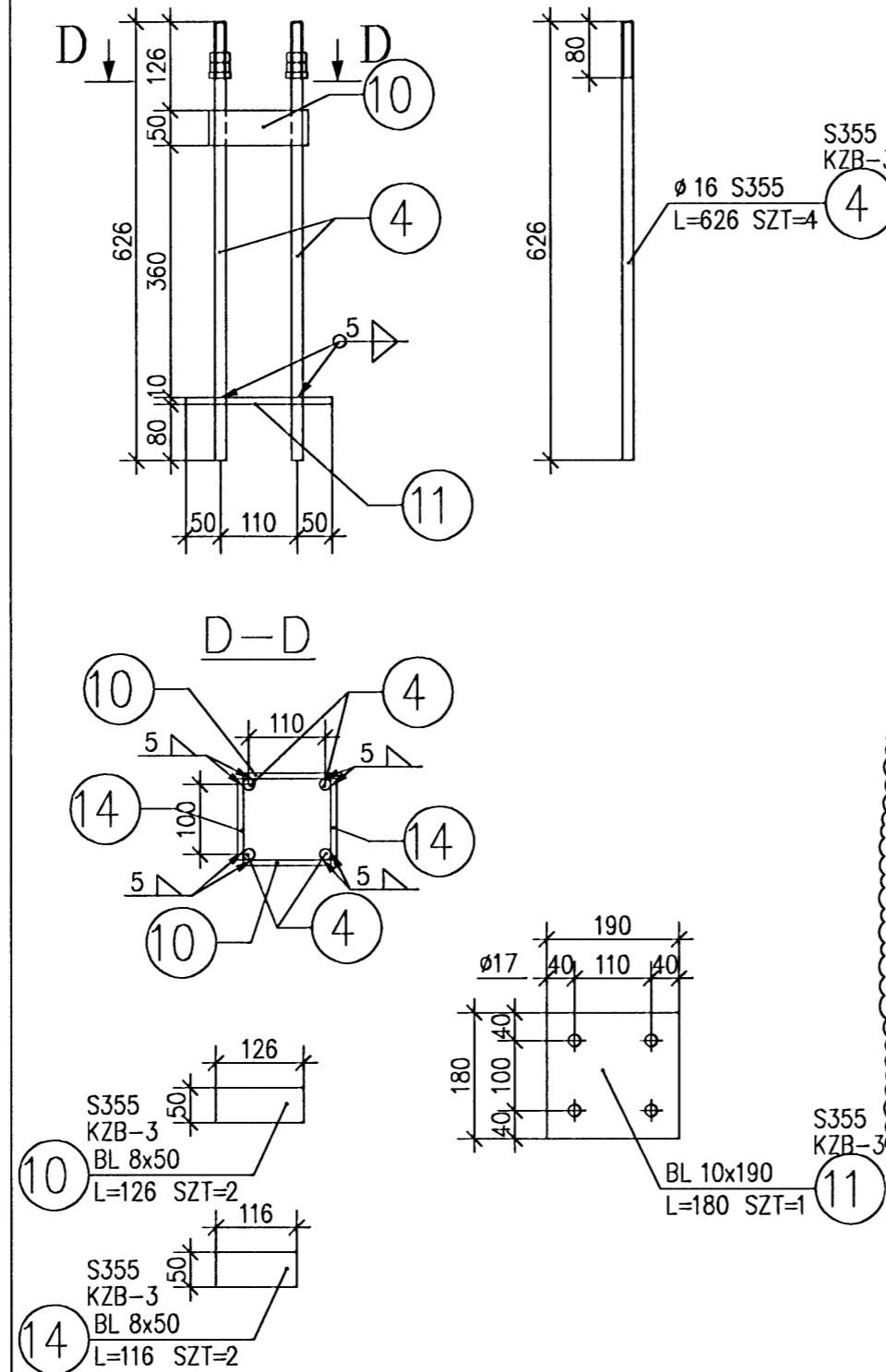


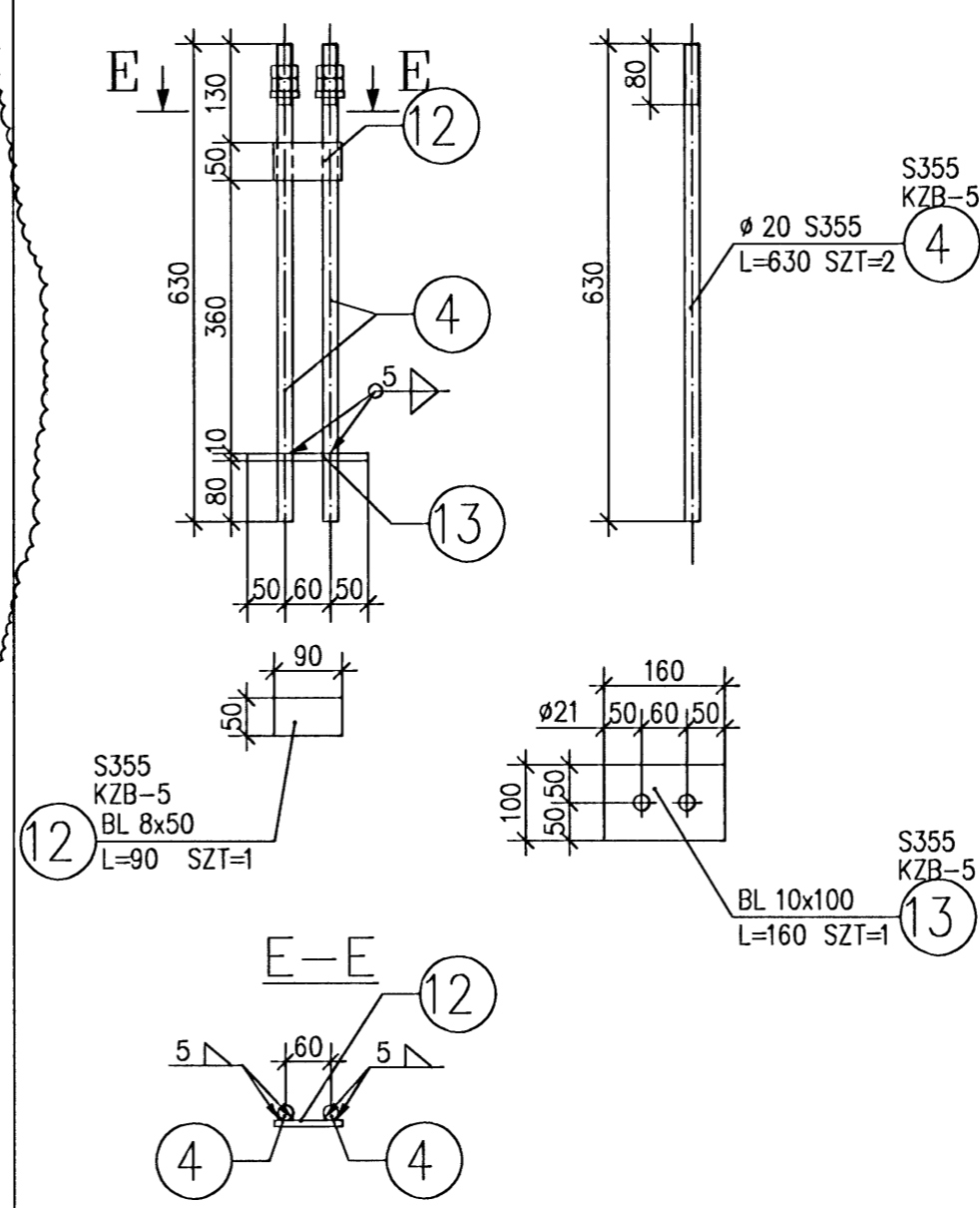
ANCHOR Pos. KZB-1
EXECUTE x 6
SCALE 1:10



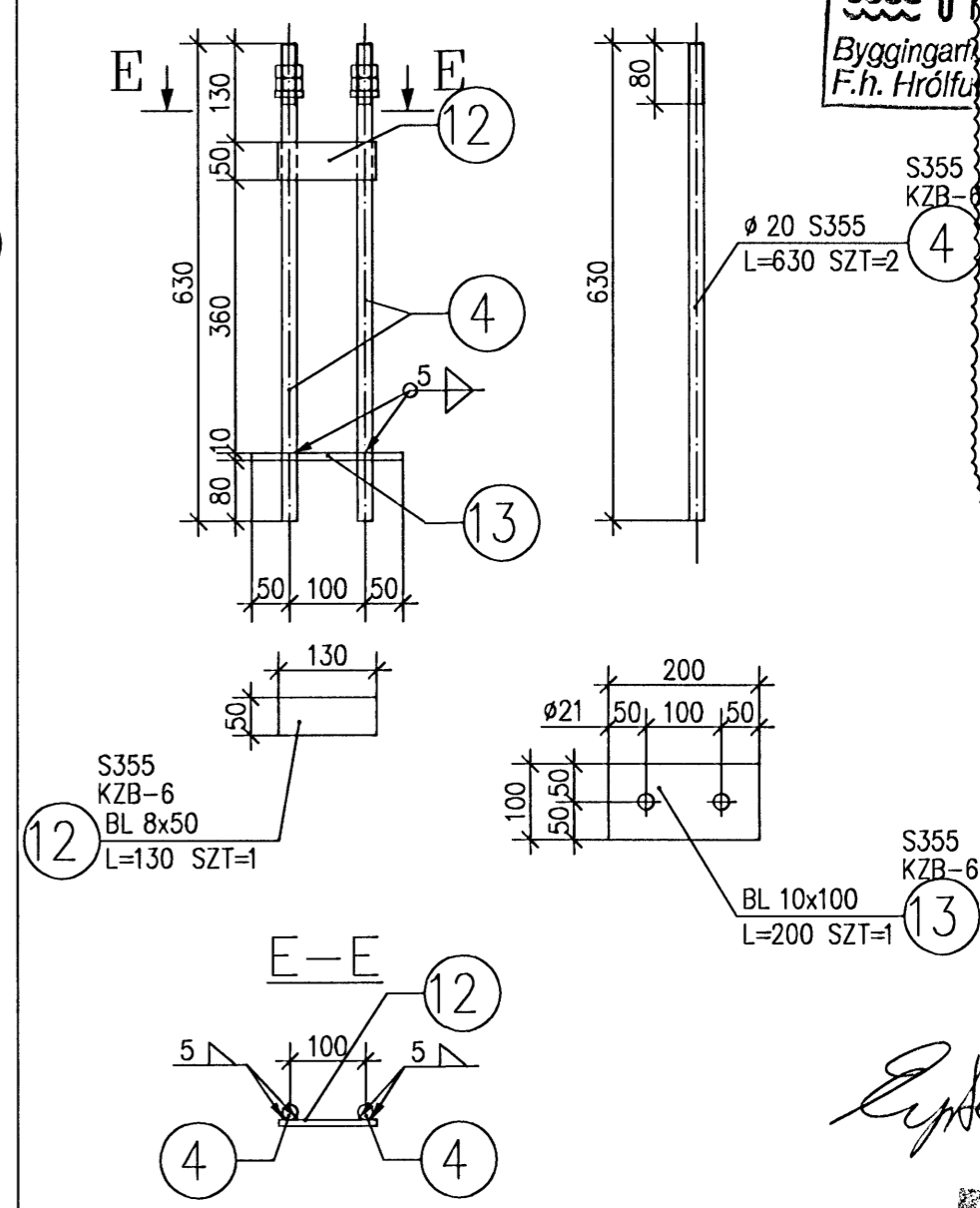
ANCHOR Pos. KZB-3
EXECUTE x 8
SCALE 1:10



ANCHOR Pos. KZB-5
EXECUTE x 4
SCALE 1:10



ANCHOR Pos. KZB-6
EXECUTE x 1
SCALE 1:10

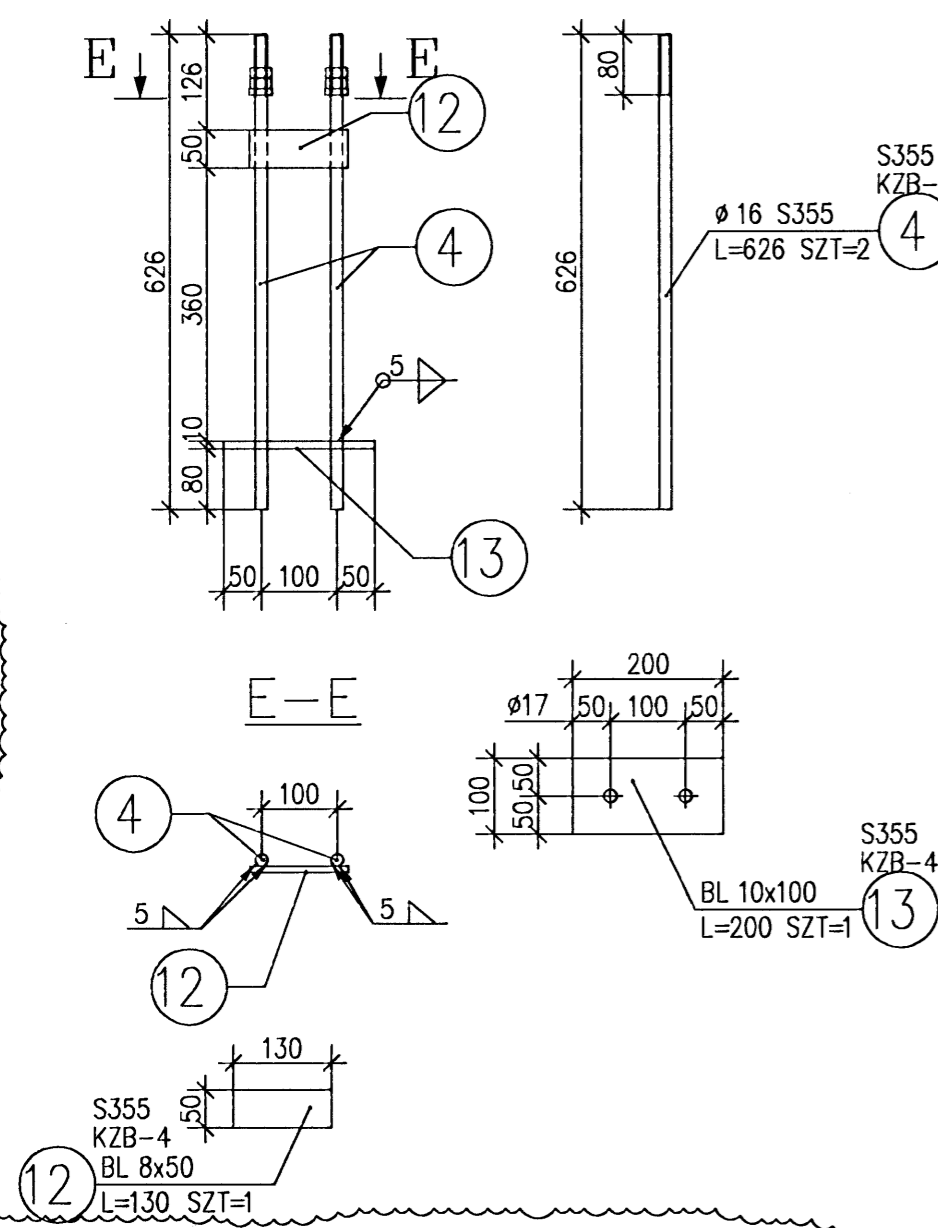


Sampykkt þann
01.05.2008
Byggingarfróðvísun / Hafnarfróð
F.h. Hrólfur S. Gunnlaugsson

Eyja-Lína
231164-3919

Línuhönnun
consulting engineers
Sudurlandsbraut 43, IS-108 Reykjavík
tel: +354 585 1500, fax: +354 585 1501

ANCHOR Pos. KZB-4
EXECUTE x 11
SCALE 1:10



ANCHOR Pos. KZB-2
EXECUTE x 44
SCALE 1:10

KZB2-HILTI HAS M16x125/38 HIT HY-150 PCS.44

STEEL STATEMENT

POS.	NUMBER OF ELEMENT	NAME OF ELEMENT	LENGTH [mm]	SORT OF STEEL	ITEMS	TOTAL LENGTH [m]	UNITARY MASS [kg/m]	MASS OF 1 ELEMENT [kg]	TOTAL MASS [kg]	UNITARY FIELD [m ² /m]	FIELD OF 1 ELEMENT [m ²]	TOTAL FIELD [m ²]
KZB-1	1	Ø 24 S355	854	S355	2	1.71	3.55	3.03	6.07	0.08	0.06	0.13
KZB-1	2	BL 16x100	250	S355	1	0.25	12.56	3.14	3.14	0.23	0.06	0.06
KZB-1	3	BL 8x50	190	S355	1	0.19	3.14	0.60	0.60	0.12	0.02	0.02
TOTAL									9.81			0.21
ALLOWANCE CONC. WELDS 1.8%									0.18			0
GENERAL									9.99			0.21
MADE: x 6									59.94			1.26

STEEL STATEMENT

POS.	NUMBER OF ELEMENT	NAME OF ELEMENT	LENGTH [mm]	SORT OF STEEL	ITEMS	TOTAL LENGTH [m]	UNITARY MASS [kg/m]	MASS OF 1 ELEMENT [kg]	TOTAL MASS [kg]	UNITARY FIELD [m ² /m]	FIELD OF 1 ELEMENT [m ²]	TOTAL FIELD [m ²]
KZB-3	4	Ø 16 S355	626	S355	4	2.50	1.58	0.99	3.95	0.05	0.03	0.13
KZB-3	10	BL 8x50	126	S355	2	0.25	3.14	0.40	0.79	0.12	0.01	0.03
KZB-3	11	BL 10x190	180	S355	1	0.18	14.92	2.68	2.68	0.40	0.07	0.07
KZB-3	14	BL 8x50	116	S355	2	0.23	3.14	0.36	0.73	0.12	0.01	0.03
TOTAL									8.15			0.26
ALLOWANCE CONC. WELDS 1.8%									0.15			0
GENERAL									8.3			0.26
MADE: x 8									66.4			2.08

ZESTAWIENIE STALI

POZ.	NUMER ELEMENTU	NAZWA ELEMENTU	DLUGOSĆ [mm]	GATUNEK STALI	LICZBA SZTUK	DL. RAZEM [m]	MASA JEDN [kg/m]	MASA 1 ELEM [kg]	MASA RAZEM [kg]	POLE JEDN [m ² /m]	POLE 1 ELEM [m ²]	POLE RAZEM [m ²]
KZB-4	4	Ø 16 S355	626	S355	2	1.25	1.58	0.99	1.98	0.05	0.03	0.06
KZB-4	12	BL 8x50	130	S355	1	0.13	3.14	0.41	0.41	0.12	0.02	0.02
KZB-4	13	BL 10x100	200	S355	1	0.20	7.85	1.57	1.57	0.22	0.04	0.04
OGÓLEM									3.96			0.12
NADDATEK NA SPOINY: 1.8%									0.07			0
RAZEM:									4.03			0.12
WYKONAĆ: x 11									44.33			1.32

ZESTAWIENIE STALI

POZ.	NUMER ELEMENTU	NAZWA ELEMENTU	DLUGOSĆ [mm]	GATUNEK STALI	LICZBA SZTUK	DL. RAZEM [m]	MASA JEDN [kg/m]	MASA 1 ELEM [kg]	MASA RAZEM [kg]	POLE JEDN [m ² /m]	POLE 1 ELEM [m ²]	POLE RAZEM [m ²]
KZB-5	4	Ø 20 S355	630	S355	2	1.26	2.47	1.55	3.11	0.06	0.04	0.08
KZB-5	12	BL 8x50	90	S355	1	0.09	3.14	0.28	0.28	0.12	0.01	0.01
KZB-5	13	BL 10x100	160	S355	1	0.16	7.85	1.26	1.26	0.22	0.04	0.04
OGÓLEM									4.65			0.13
NADDATEK NA SPOINY: 1.8%									0.08			0
RAZEM:									4.73			0.13
WYKONAĆ: x 4									18.92			0.52

ZESTAWIENIE STALI

POZ.	NUMER ELEMENTU	NAZWA ELEMENTU	DLUGOSĆ [mm]	GATUNEK STALI	LICZBA SZTUK	DL. RAZEM [m]	MASA JEDN [kg/m]	MASA 1 ELEM [kg]	MASA RAZEM [kg]	POLE JEDN [m ² /m]	POLE 1 ELEM [m ²]	POLE RAZEM [m ²]
KZB-6	4	Ø 20 S355	630	S355	2	1.26	2.47	1.55	3.11	0.06	0.04	0.08
KZB-6	12	BL 8x50	130	S355	1	0.13	3.14	0.41	0.41	0.12	0.02	0.02
KZB-6	13	BL 10x100	200	S355	1	0.20	7.85	1.57	1.57	0.22	0.04	0.04
OGÓLEM									5.09			0.14
NADDATEK NA SPOINY: 1.8%									0.09			0
RAZEM:									5.18			0.14
WYKONAĆ: x 1									5.18			0.14

Revision	Date	Change
D	25.06.2008	CHANGES ARE MARKED BY THE CLOUDS
C	15.05.2008	CHANGES ARE MARKED BY THE CLOUDS
B	06.03.2008	CHANGES ARE MARKED BY THE CLOUDS
A	25.01.2008	CHANGES ARE MARKED BY THE CLOUDS

Documentation Stage: Construction design
Branch: Steel Construction
Date: 2007-12-31

Object, Name and Address: -
Drawing name: ANCHOR POS.KZB-1, KZB-2, POS.KZB-3, KZB-4, KZB-5, POS.KZB-6
Scale: 1:10

RUUKKI
Ruukki Construction Polska Sp. z o.o.
ul. Towarowa 35 61-669 Poznań POLSKA
tel: +48 61 85 12 300 fax: +48 61 85 12 310 www.ruukki.com/pl

Finnmap Polska
ul. Wyszynskiego 1/1 10-457 Olsztyn POLSKA
tel: +48 89 533 31 42 fax: +48 89 533 31 42 www.finnmapgroup.pl

Designed by: Piotr Walosik
Prepared by: Bartosz Regulski
Verified by: Krzysztof Bednarski

Project No.: 02.1000
Drawing No.: 004
Rev: D

RST Net
Alfhellu 6
221 Hafnarfjörður