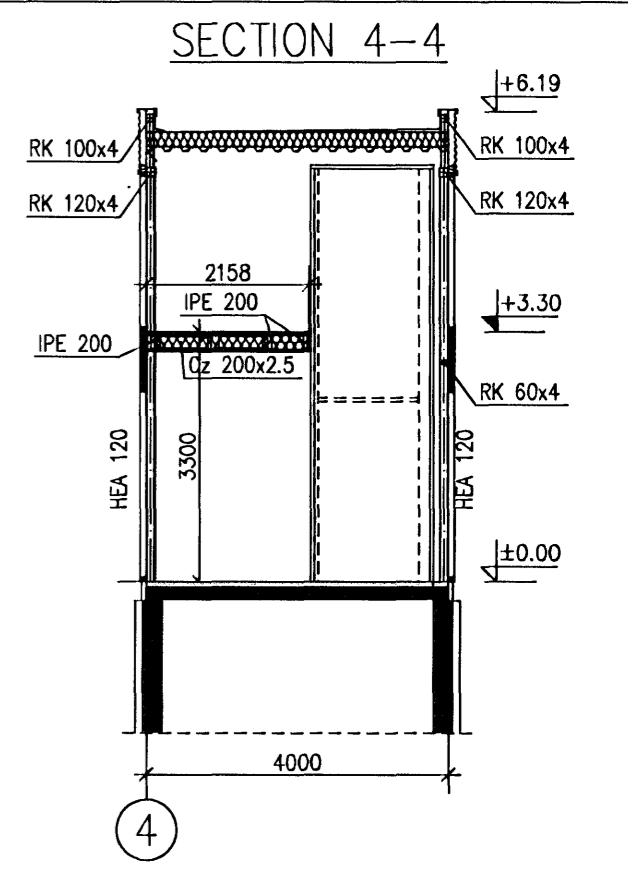
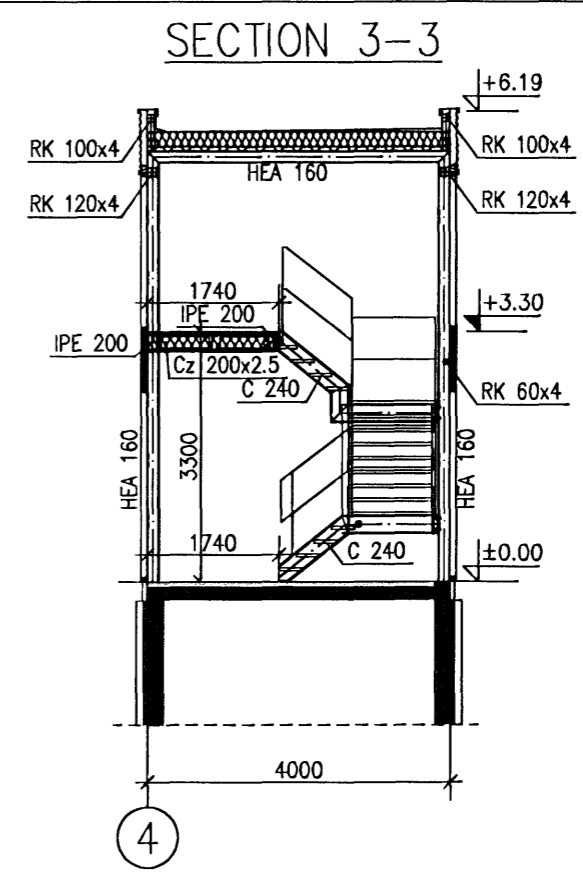


level ±0,00=h=31,95m



Steel S355  
Bolts cl. 8.8

ALL BUTT JOINTS THAT ARE NOT DESCRIBED OUGHT TO BE EXECUTED IN THICKNESS OF THINNER FROM CONNECTED ELEMENTS

ALL FILLET WELDS THAT ARE NOT DESCRIBED OUGHT TO BE EXECUTED IN THICKNESS:

- ONE-SIDED JOINTS - 0,7t
- TWO-SIDED JOINTS - 0,5t

WHERE: t - THICKNESS OF THINNER FROM CONNECTED ELEMENTS  
but 2,5mm < t < 5,0mm

- STRUCTURE CLASS J<sub>2</sub> ACC. TO PN-B-06200:2002
- BOLTS
  - FOR SIMPLE CONNECTIONS OF CL. 8.8 ACC. TO DIN 7990 - galvanized cell
  - FOR COMPRESSED CONNECTIONS OF CL. 10.9 ACC. TO DIN 6914 - galvanized cell
- ELEMENTS TOLERANCE - MINUS
- BUTT JOINTS OUGHT TO BE CONTROLLED WITH FLAW DETECTOR

Revision	Date	Change
C	25-06-2007	THE WHOLE DRAWING REVISED
B	14-05-2007	THE WHOLE DRAWING REVISED
A	29-01-2007	CHANGES ARE MARKED BY THE CLOUDS

Documentation Stage: Construction design	Branch: Steel Construction	Date: 2008-01-29
Object, Name and Address: -	Drawing name: FRAMES PLAN-LINK	Scale: 1:100 1:10
<b>RUUKKI</b> Ruukki Construction Polska Sp. z o.o. ul. Towarowa 35 61-669 Poznań POLSKA tel +48 61 85 12 300 fax +48 61 85 12 310 www.ruukki.com.pl		<b>RST Net</b> Álfhelli 6 221 Hafnarfjörður
<b>Finnmap Polska</b> ul. Wyzynskiego 11 10-457 Olsztyn POLSKA tel +48 89 533 31 42 fax +48 89 533 31 42 www.fmcgroup.pl		
Designed by: Piotr Walosik	Project No.:	Drawing No.:
Prepared by: Bartosz Regulski	02.1000	007
Verified by: Krzysztof Bednarski		Rev: C

Samykkt þann  
01.08.2008  
Byggingarfulltrúinn í Hafnarfirði  
F.h. Hrólfr S. Gunnlaugsson

*Eyfe Einarsson*  
231164-3919

**Línuhönnun**  
consulting engineers  
Sudurlandsbraut 4A, IS-108 Reykjavík  
tel: +354 583 1300, fax: +354 583 1301

*Andri Snær Magnason*