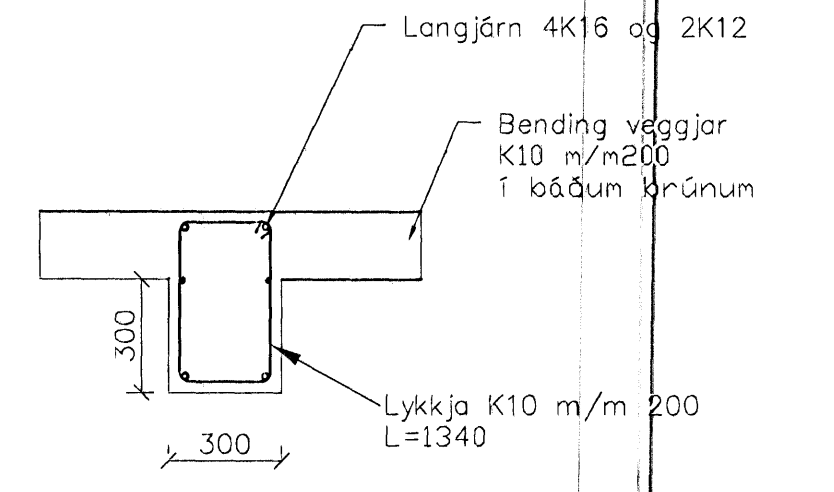
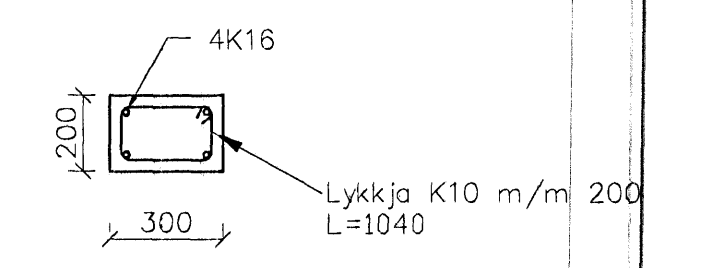


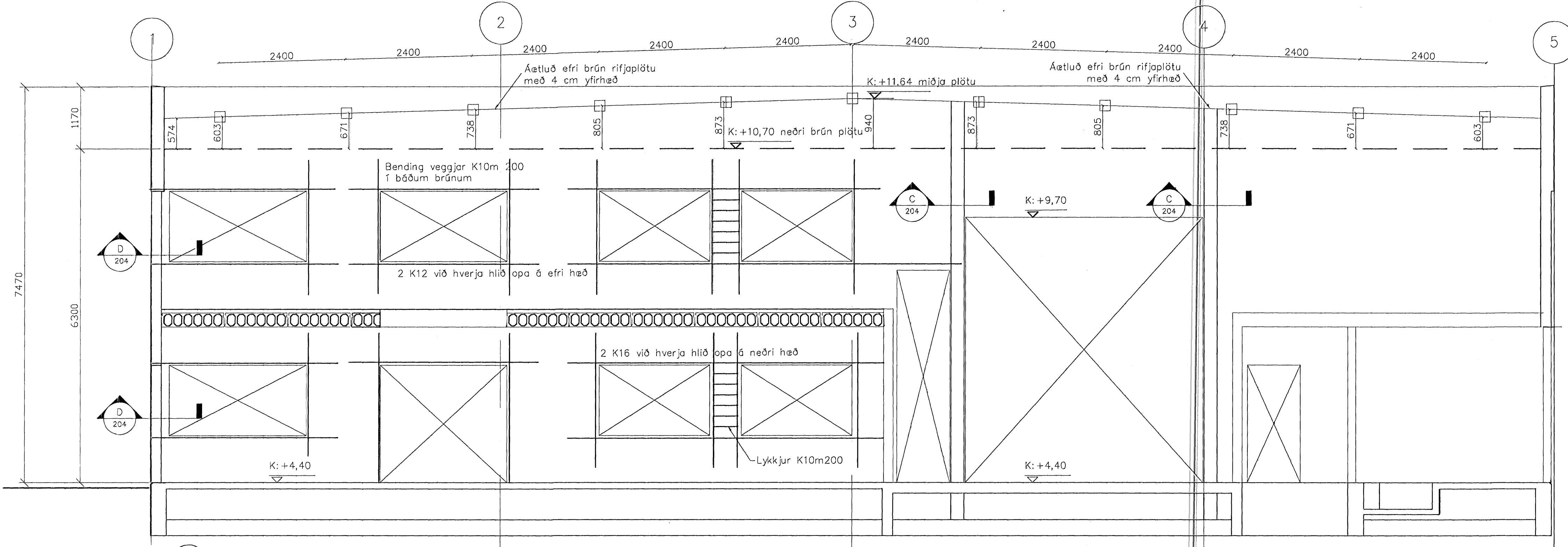
A Grunnmynd 2 hæð  
1 = 50 mm



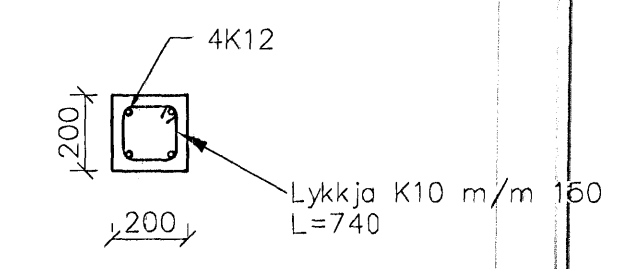
C Snið  
1 = 20 mm



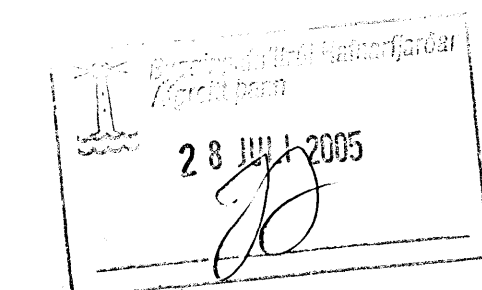
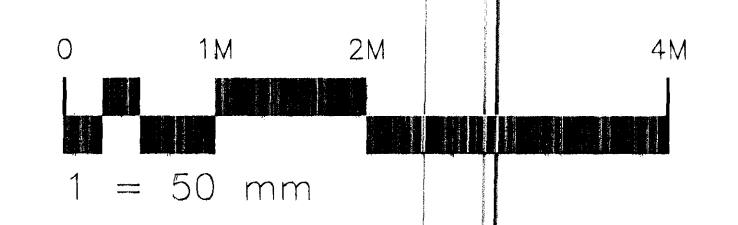
D Snið  
1 = 20 mm



B Snið í útvegg  
1 = 20 mm



E Deili  
1 = 20 mm



Styrkingar  
Explanations:

Styrkingar  
Explanations:

Breyt. Rev.	Dogs. Date	Samp. Approved	Nok. heiml. Released
1	8-12-03	SG	
2	26-02-04	SG	
A	4.07.05	SG	

This drawing is the property of the Alcan Iceland Ltd. and handed out for personal use only. It may neither be copied nor made available to others without permission of the Alcan Iceland Ltd. The receiver is liable for any misuse.

Fjöldi stúkkja Number of pieces	Hlutur Object	Atriði Item	Efni Material	Þyngd Weight (kg)	Stærð Dimensions	Althugusemdir Remarks
IV III II I	Mhl.01 Víkurgata 3 / ál- og tækjageymsla	Burðarþol - 2.hæð				AKS no. 7510 12094
		Grunnmynd milligölf og snið				AKS no. US33
		Strendingur ehf. verkfræðipjónusta				204 A
		ALCAN PRIMARY METAL EUROPE				168905 A