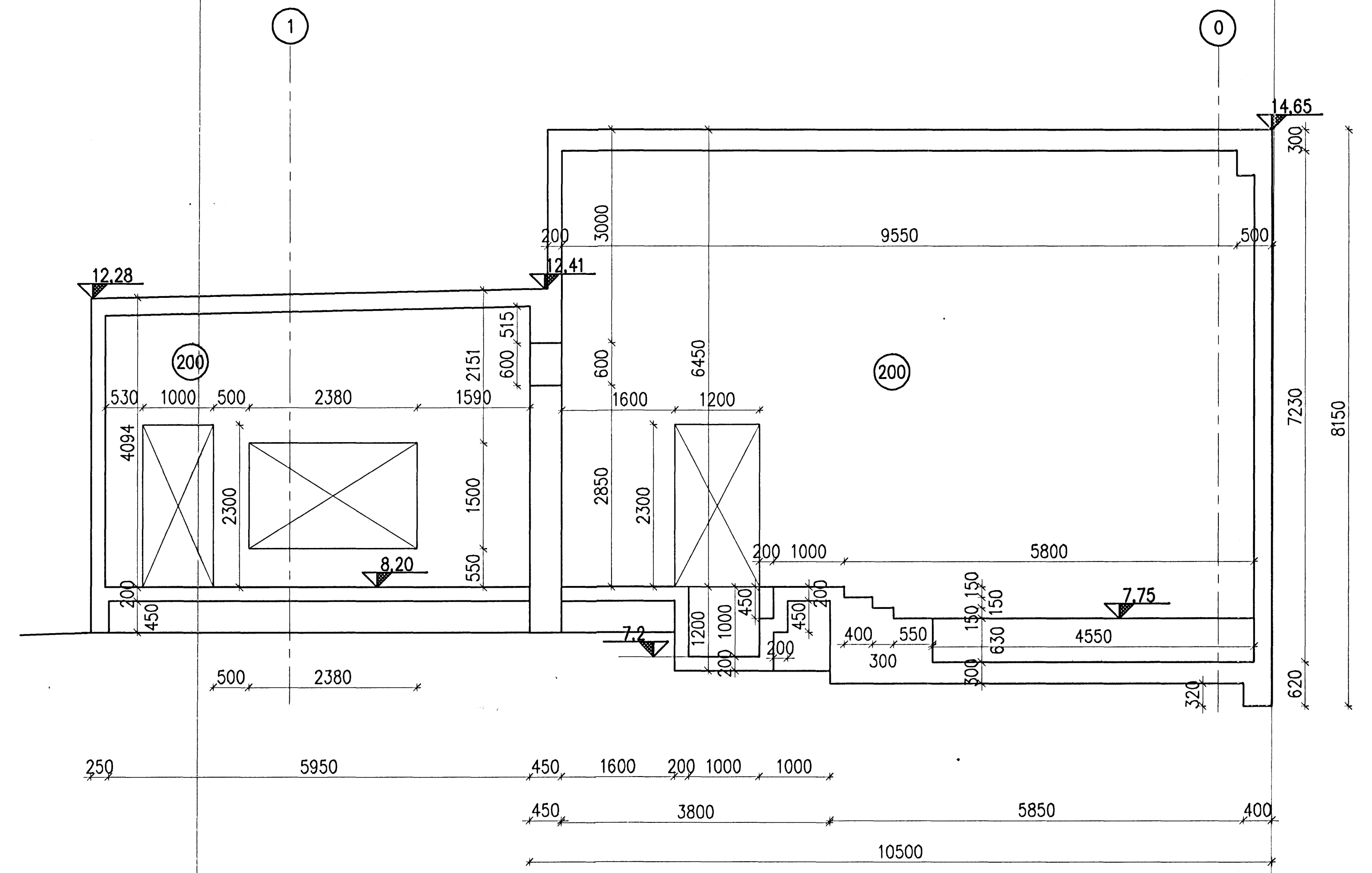
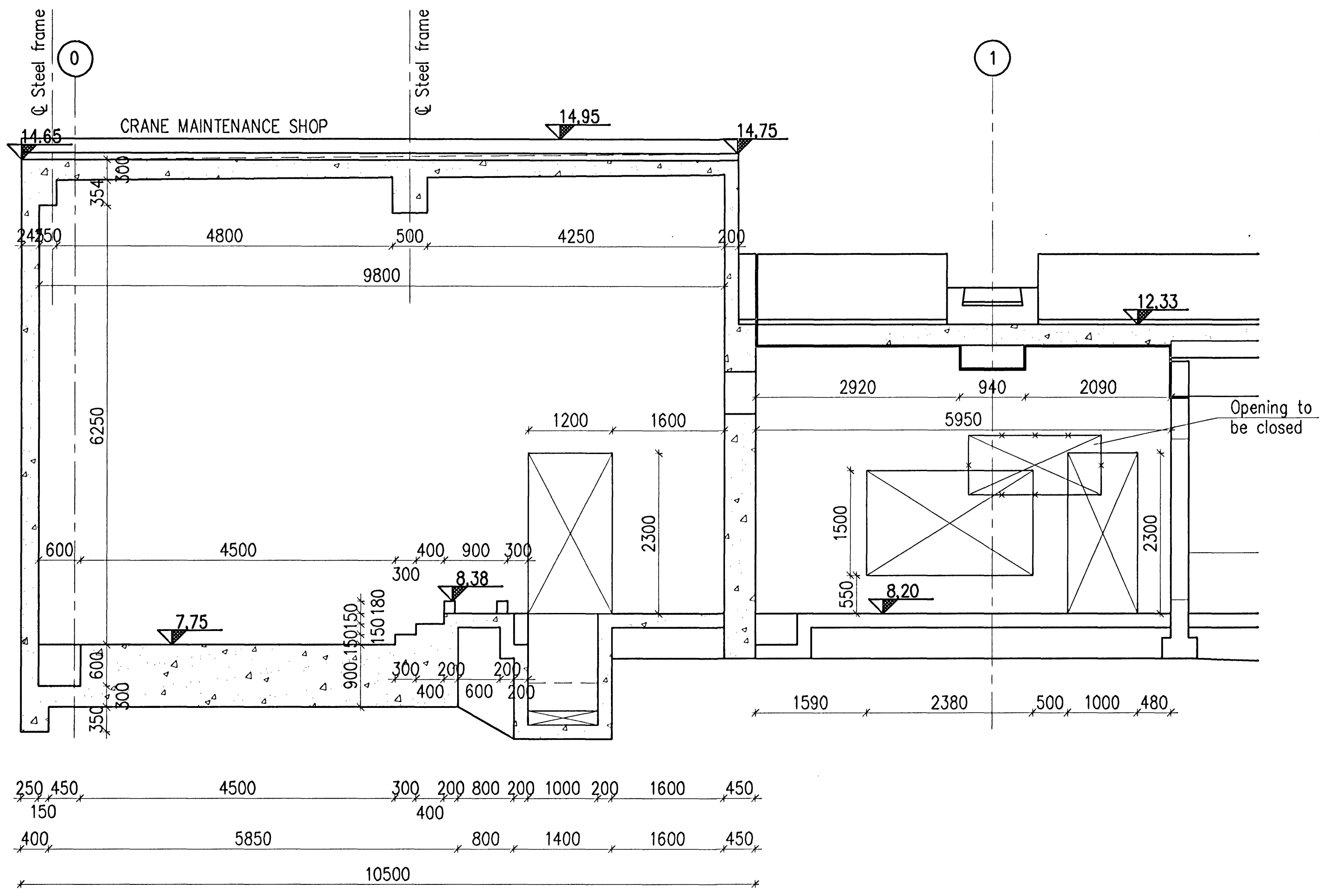


**A** SNID 1:50  
23.11

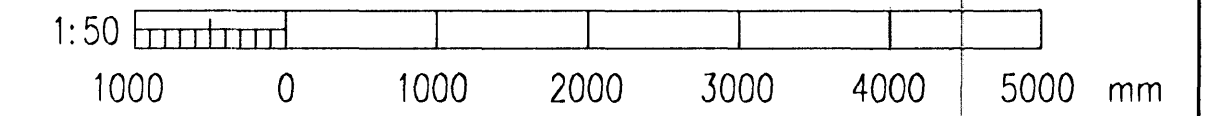
**B** SNID 1:50  
23.11



K:\2003.01\10\23-III-rec\Tekn\Matteikningar\2313-2315.dwg

Skýringar:  
Explanations:

This drawing is the property of the Alcan Iceland Ltd. and handed out for personal use only. It may neither be copied nor made available to others without permission of the Alcan Iceland Ltd. The receiver is liable for any misuse.



Byggingarfræðingur  
Alfríður Þorsteinsson  
12 JULI 2005

Skýringar: Explanations:	Fjöldi stúkkja Number of pieces		Hlutur Object		Atriði Item		Efni Material		Eign Weight		Tölu Total weight		Athugasemdir Remarks	
	IV III II I		POTROOM 3 -- Mhl. 97		VST		NI LDB		Yfirfarð Checked		Stærð Scale		1:50	
	Teknað Drawn		VST		ALCAN PRIMARY METAL EUROPE ISAL Alcan Iceland Ltd		Straumsvík IS-222 Hafnarfordur		Stærð Scale		4011 1189		2003.0110 23.13 1	
	Tilk. nr. Drawn no.		APRIL 2005		Yfirfarð og Checked and Released		186707		Teknað Drawn		2003.0110 23.13 1		1	

**VST** Verkfræðistofa  
Sigurðar Thoróðsen hf.  
Árveit 4, 108 Reykjavík, Sími 599 5000 Fax 599 5010

Tilv. teikningar nr. ISAL  
Ref. drawing no. of ISAL

Samsetn. teikningar nr. ISAL  
Assembly drawing no. of ISAL