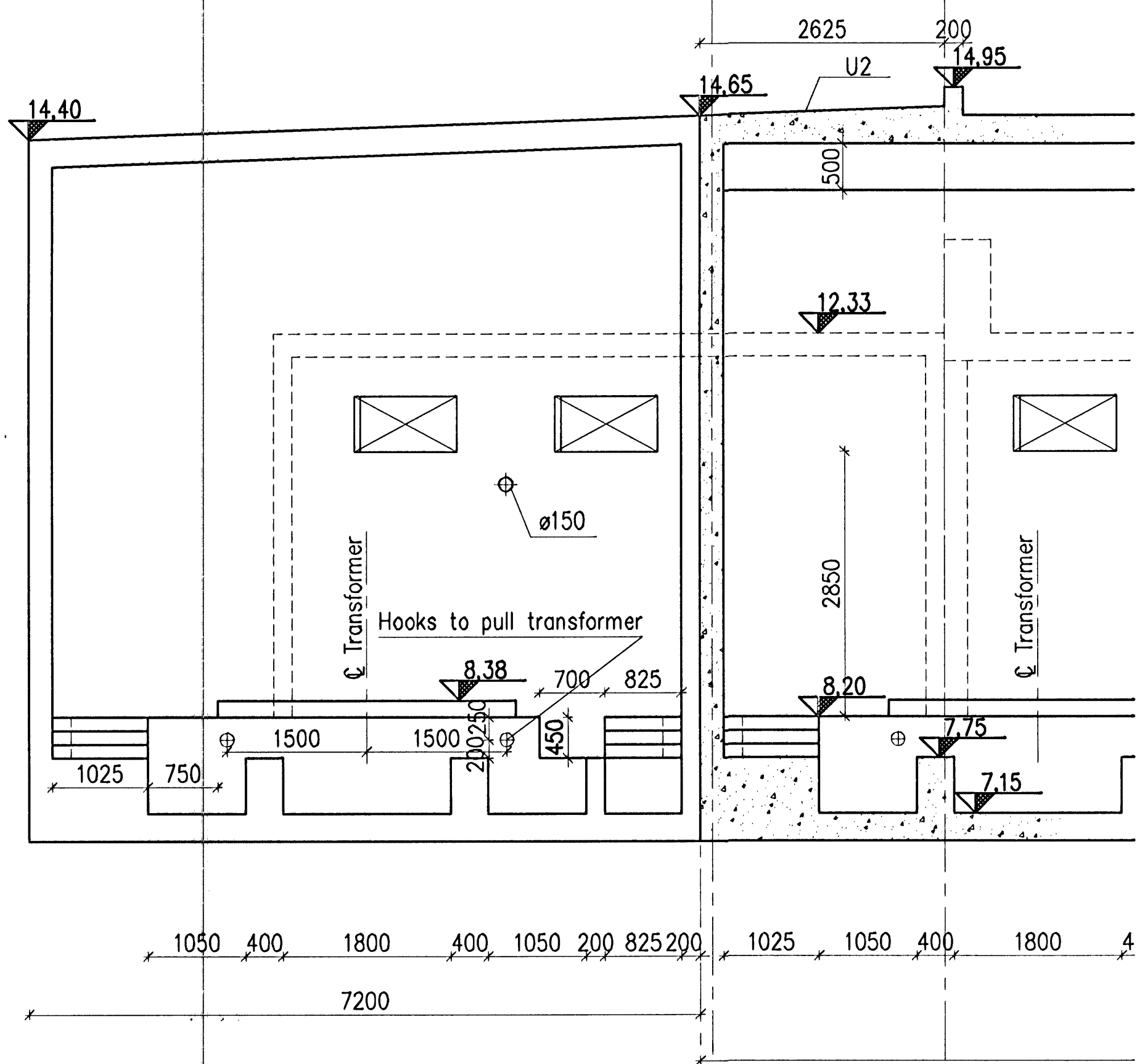
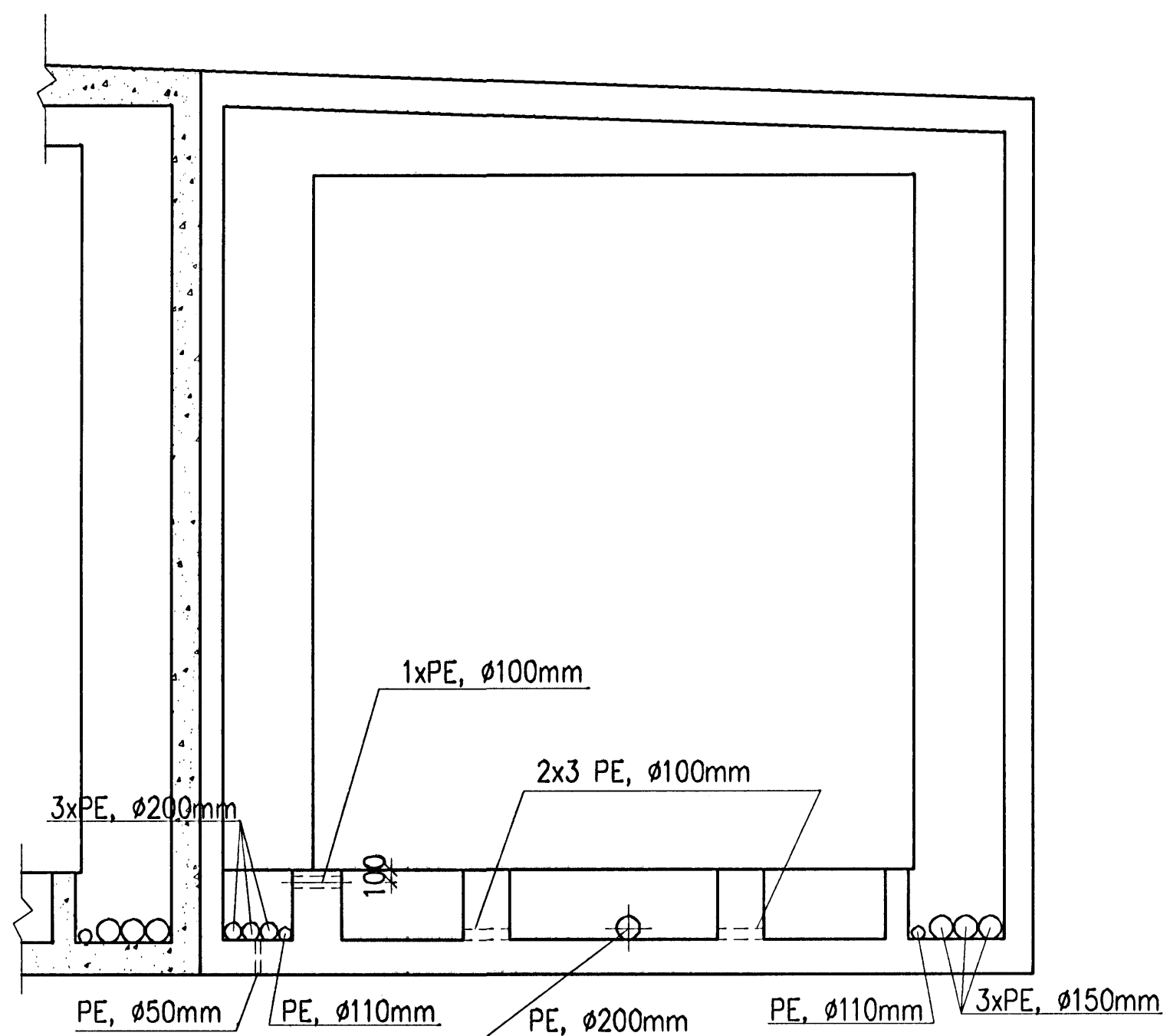


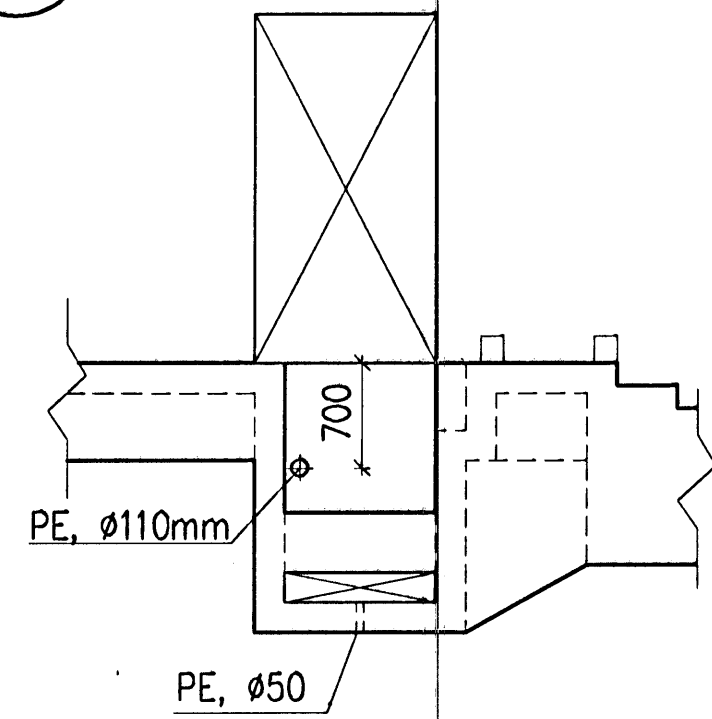
B



A

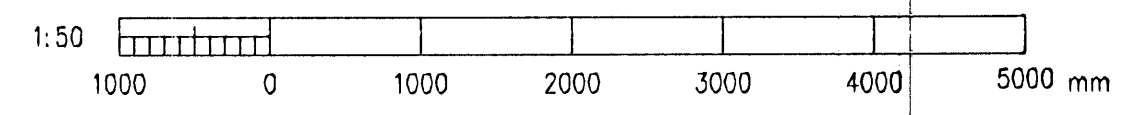


C



12 APR 2005

*[Signature]*



K:\2003.01\10\23-III-rec\Tekn\Matteikningar\2317.dwg

Skýringar:  
Explanations:

This drawing is the property of the Alcan Iceland Ltd. and handed out for personal use only. It may neither be copied nor made available to others without permission of the Alcan Iceland Ltd. The receiver is liable for any misuse.

Fjöldi stúkkja Number of pieces	Hlutur Object	Atr-Item	Efn-Material	sg.stk Weight (kg)	Ítalak held Total held	Athugasemdir Remarks
IV III II I	POTROOM 3 - Mhl. 97				Stað. A1	Mks. 1:50
	RECTIFIER BUILDING, EXTENTION				4011	1189
	EMPEDED PIPES				UB 30	
	VST				2003.0110	23.17 1
	ALCAN PRIMARY METAL EUROPE				186711	
	ISAL					
	IS-222 Hafnarfjörður					
	APRIL 2005					

VST Verkfæðistofa  
Sigurðar Thoroddsen hf.  
Arnhei 4, 108 Reykjavík Sími 580 3000 Fax 580 3010

Tilvitning nr. ISAL Ref.drawing no. of ISAL  
Samsetning nr. ISAL Assembly drawing no. of ISAL