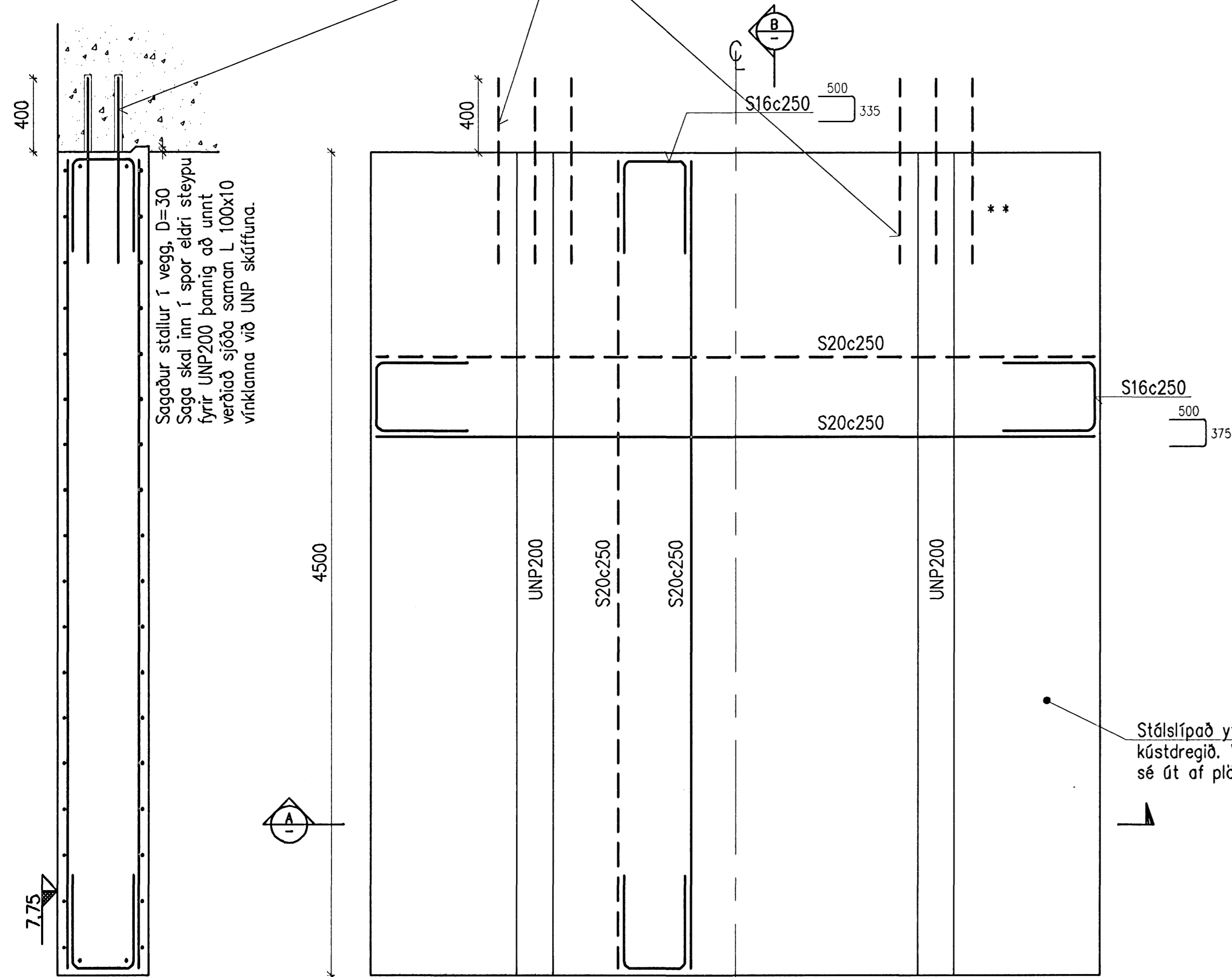


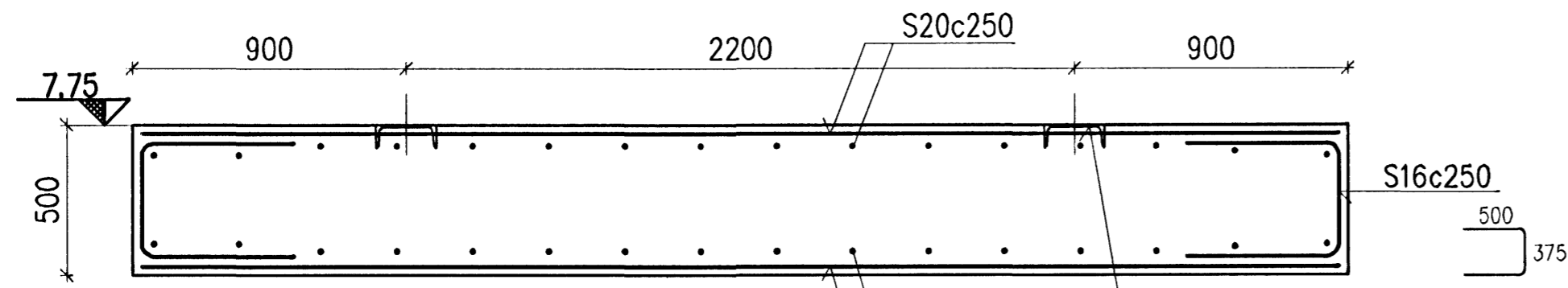
PLATTI FRAMAN VIÐ SPENNARÝMI, 3 STK.

Plata sé fest við afriðlastöð með 2x6S20-1000. Innlímdum (400mm) með HILTI HUV-lími eða samsvarandi.



B-B 1:20

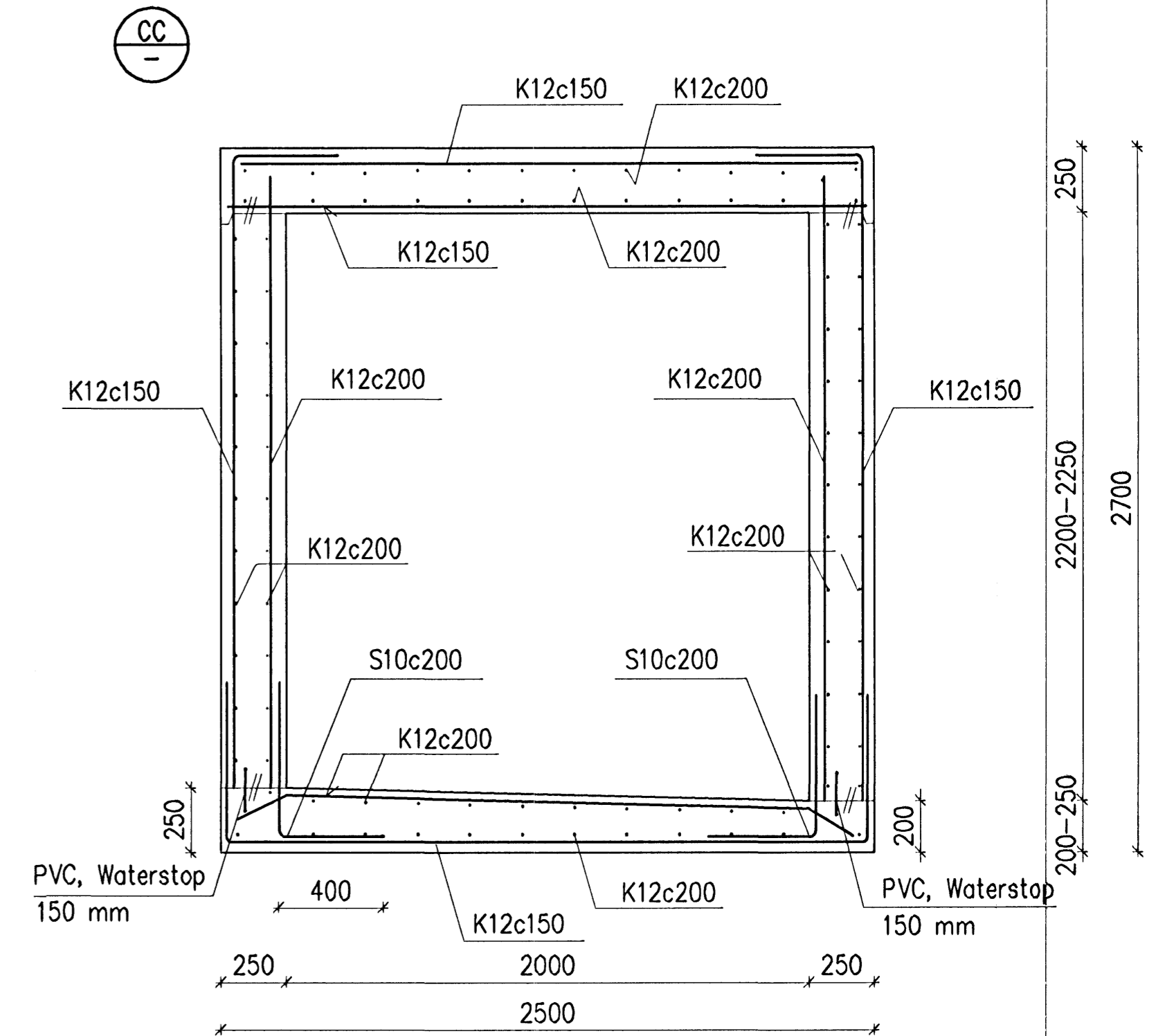
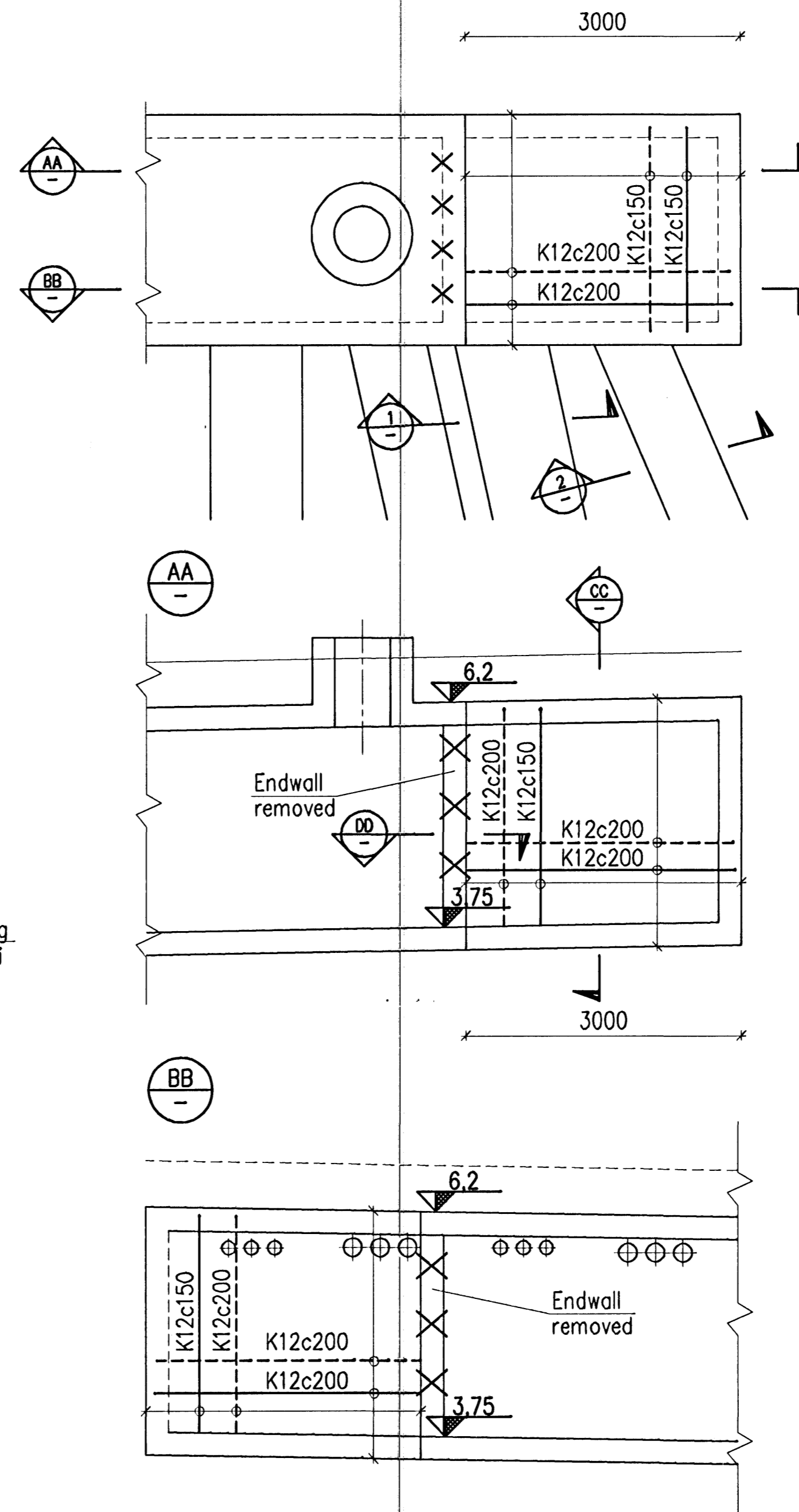
GRUNNMYND 1:20



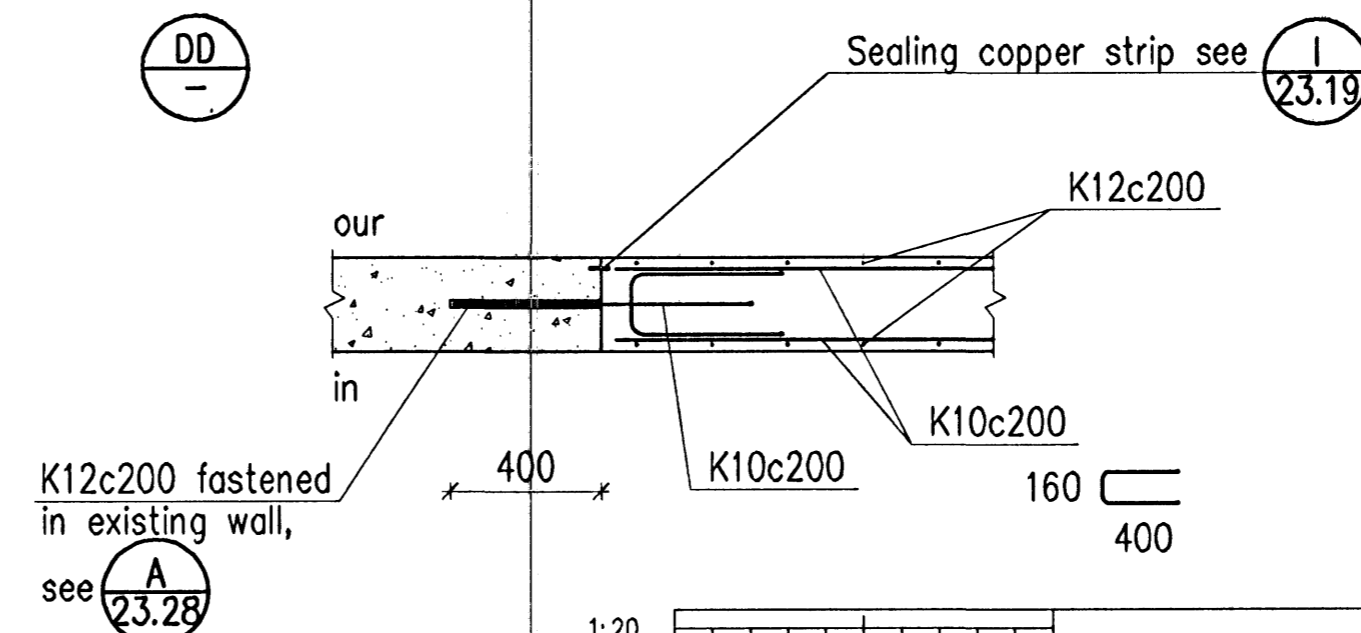
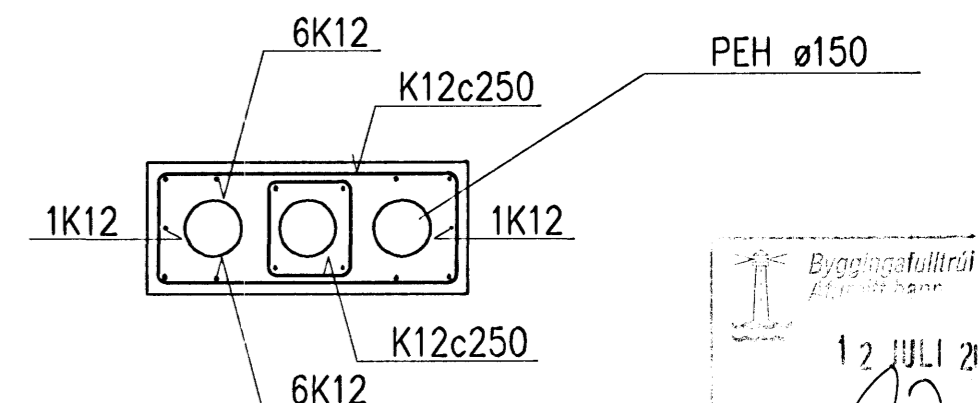
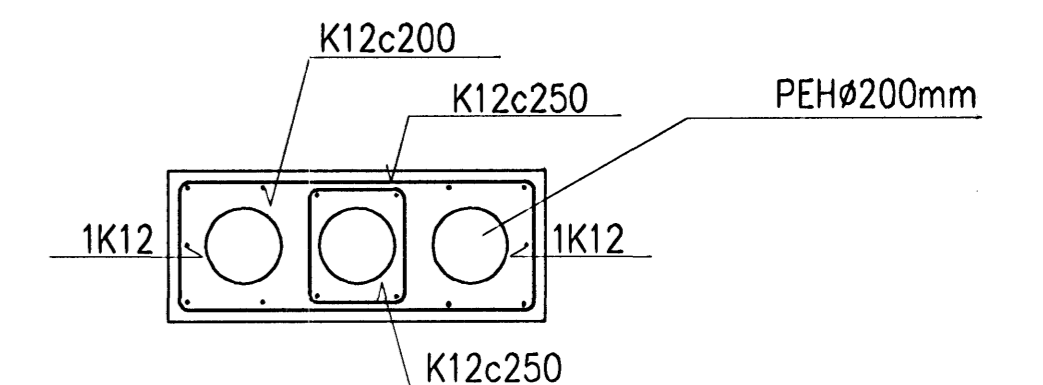
A-A 1:20

UNP200 Galv. með ósodnum festingum. Útloftunargöt í baki. Stálskúffa standi um 5 mm upp úr steypu.

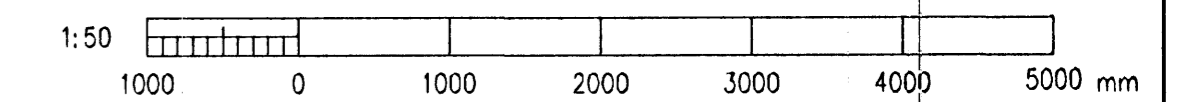
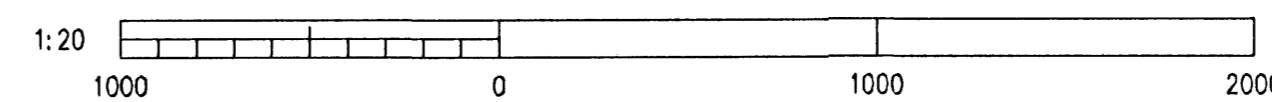
CABLE TUNNEL, EXTENSION



CABLE CANALS



K12c200 fastened in existing wall, see 23.28



K:\2003.01\10\23-III-rec\Teikn\Jarnateikningar\2329.dwg

Skýringar:
Explanations:

This drawing is the property of the Alcan Iceland Ltd. and handed out for personal use only. It may neither be copied nor made available to others without permission of the Alcan Iceland Ltd. The receiver is liable for any misuse.

Fjöldi stykja Number of pieces	Hlutur Object	Atrið Item	Efni Material	eo.stk (kg) bygnd	Ítalok. í heild Total in total	Athugasemdir Remarks
IV III II I	POTROOM 3 - Mhl. 97				Stærð Format	Mk. Scale
	RECTIFIER BUILDING, EXTENTION				4011	1:20/1:50
	REINFORCEMENT, PLATFORMS, CABLE TUNNEL & CANALS				41189	
	VST				AKS no.	UB 30
	TEKNAÐ Drawn	YFIRRÁÐ Checked	NI		2003.0110	23.29
	ALCAN PRIMARY METAL EUROPE				186723	
	ISAL					
	ALCAN ICELAND LTD					
	APRIL 2005					

VST Verkfræðistofa
Sigurður Thorodsson hf.
Kirkjublaeyri 1, 108 Reykjavík, Símanúmer 590 3000 Fax 590 3010

Teknað / Drawn: ISAL
Breyting / Revision: ISAL
Dagsetning / Date: ISAL
Samb. / Approved: ISAL
Nöfn. / Released: ISAL

Byggingaáhrifni
12 JULI 2005