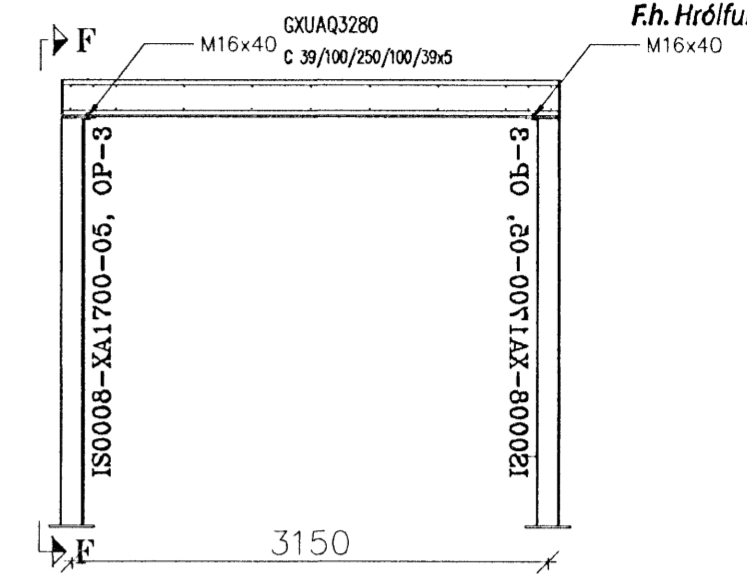
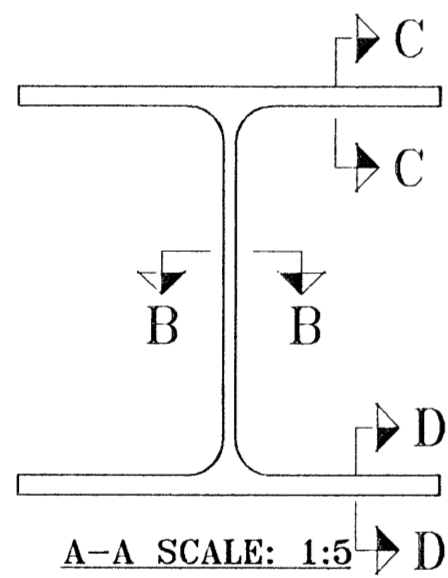


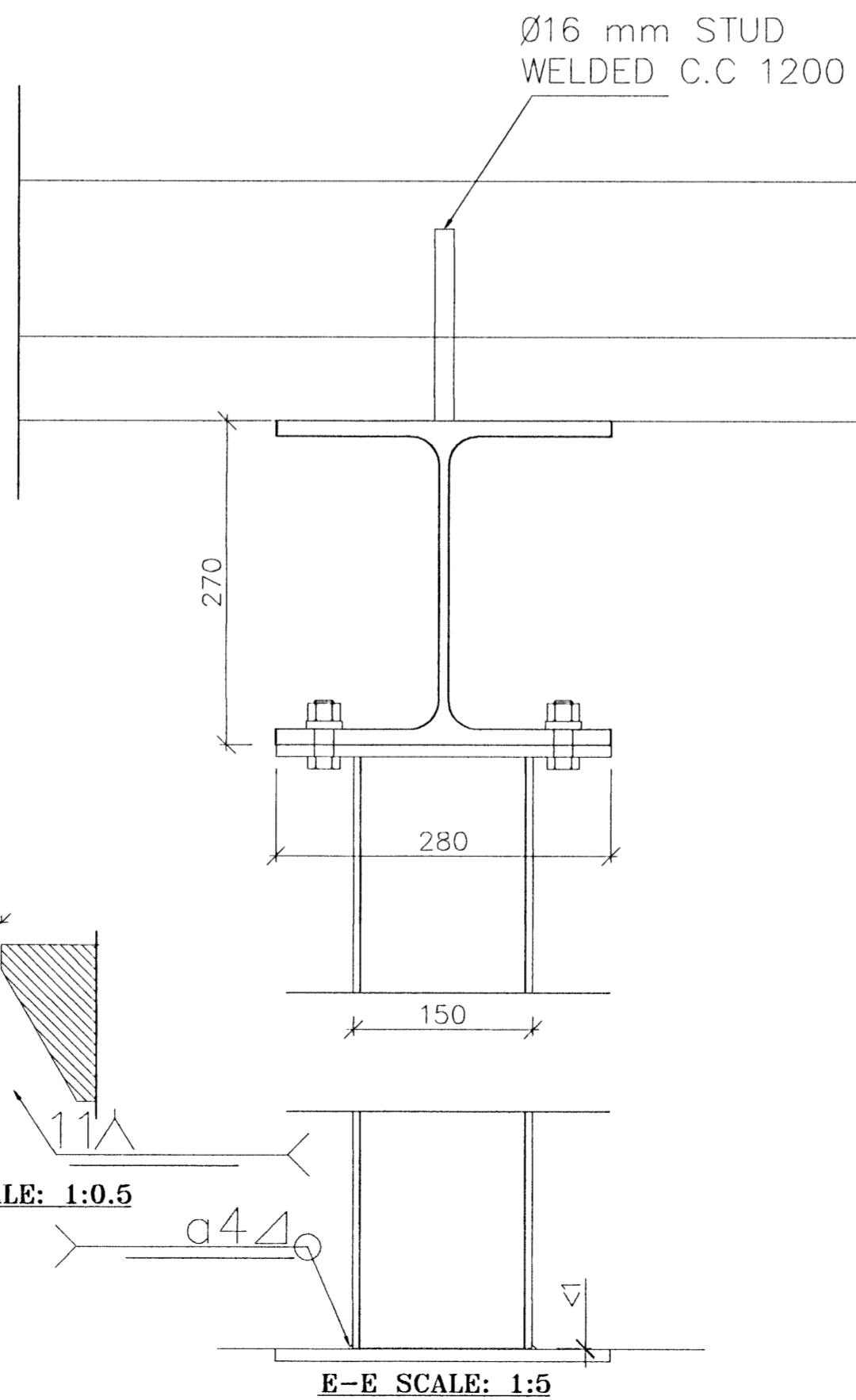
STRUCTURE FOR CONCRETE SLAB
LINE 3.4



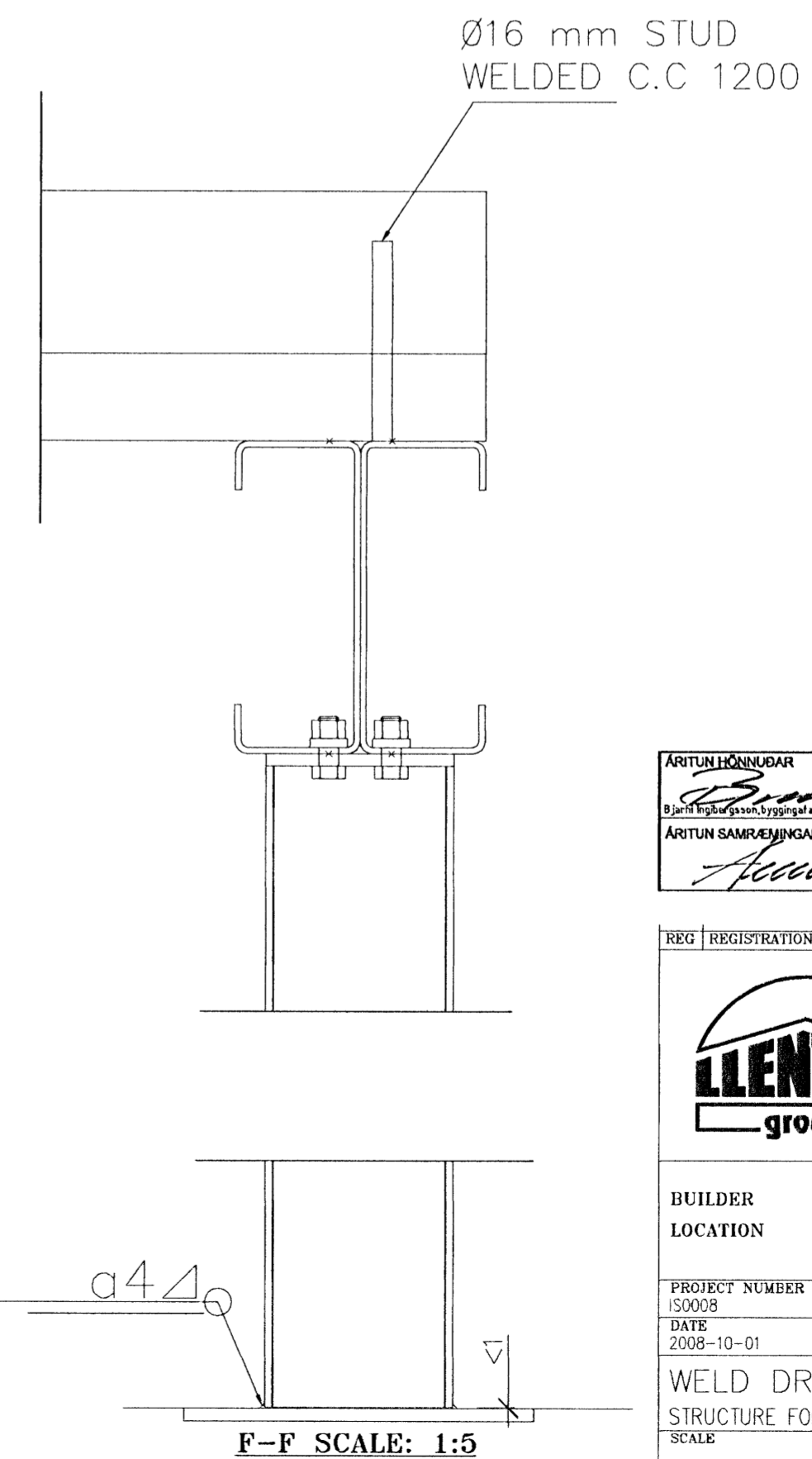
STRUCTURE FOR CONCRETE SLAB
EDGE OF STAIR



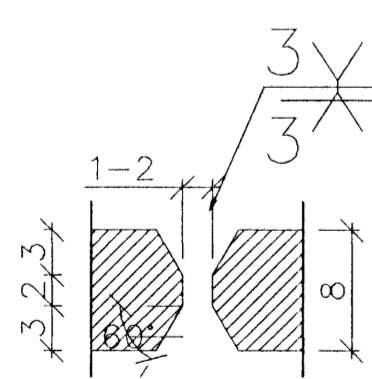
A-A SCALE: 1:5



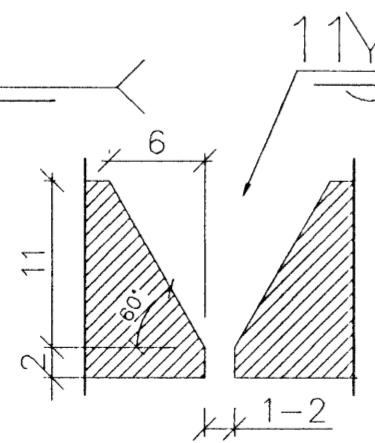
E-E SCALE: 1:5



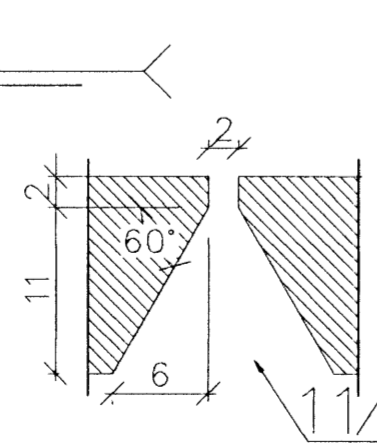
F-F SCALE: 1:5



B-B SCALE: 1:0.5



C-C SCALE: 1:0.5



D-D SCALE: 1:0.5

ÁRITUN HÖNNUDAR ÁRITUN SAMRÆMINGAR HÖNNUDAR 	DAGS. ÁRITUNAR 30/11/08
--	----------------------------

REG REGISTRATION LLENTAB group	SIGN. DATE BM-VALLA Byggingasvið Stórhöfða 23, 110 Reykjavík Kf. 530669-0179 Sími: 412 5000 - Fax: 412 5061
---	--

BUILDER Ílfhella 12-14 LOCATION Hafnarfirði
--

PROJECT NUMBER IS0008 DATE 2008-10-01	SALESMAN Peter Gustafsson DESIGNER Tommy Nilsson
--	---

WELD DRAWING STRUCTURE FOR CONCRETE SLAB		
SCALE 1: 50	DRAWING NUMBER K-IS0008-9	REG