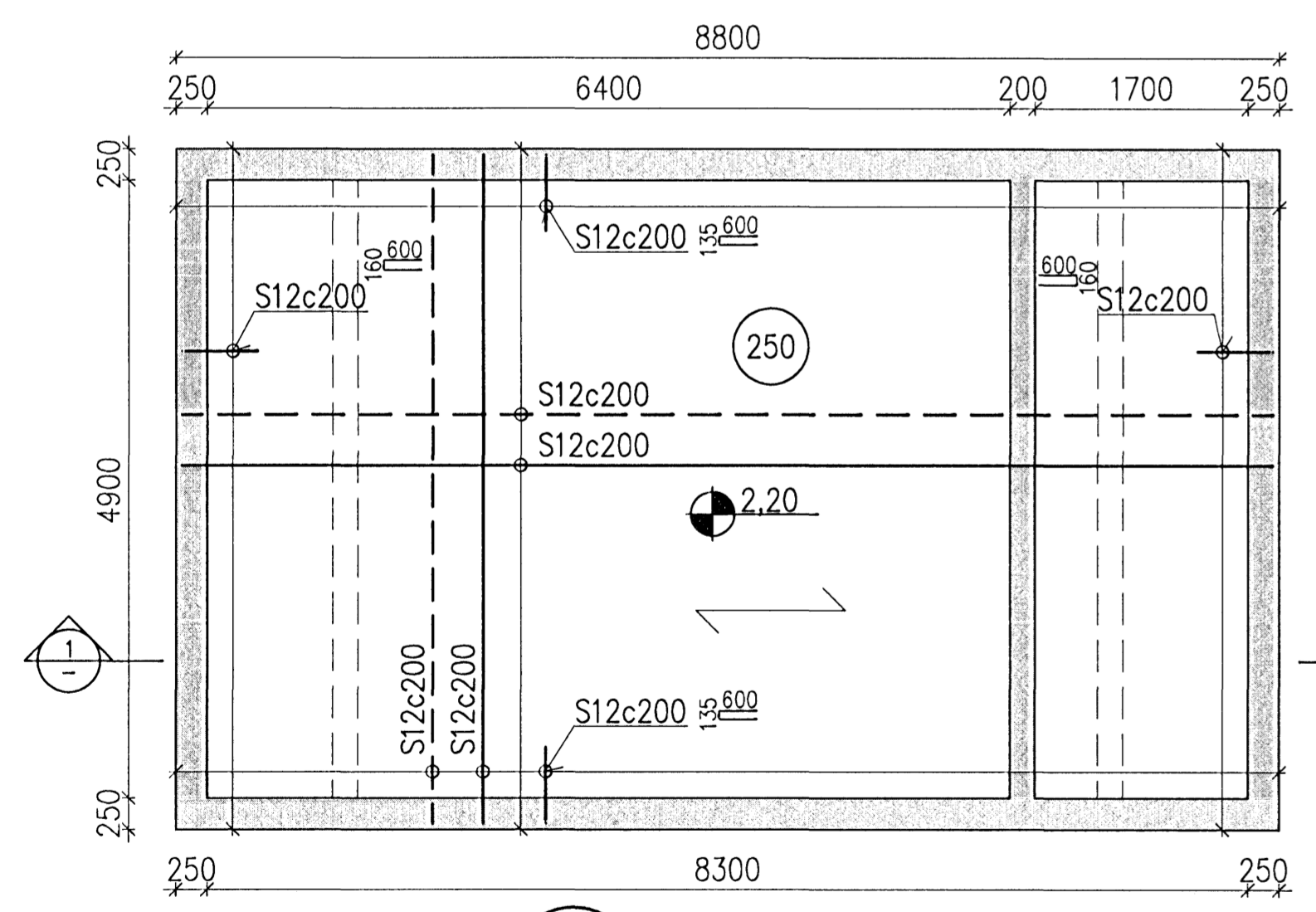
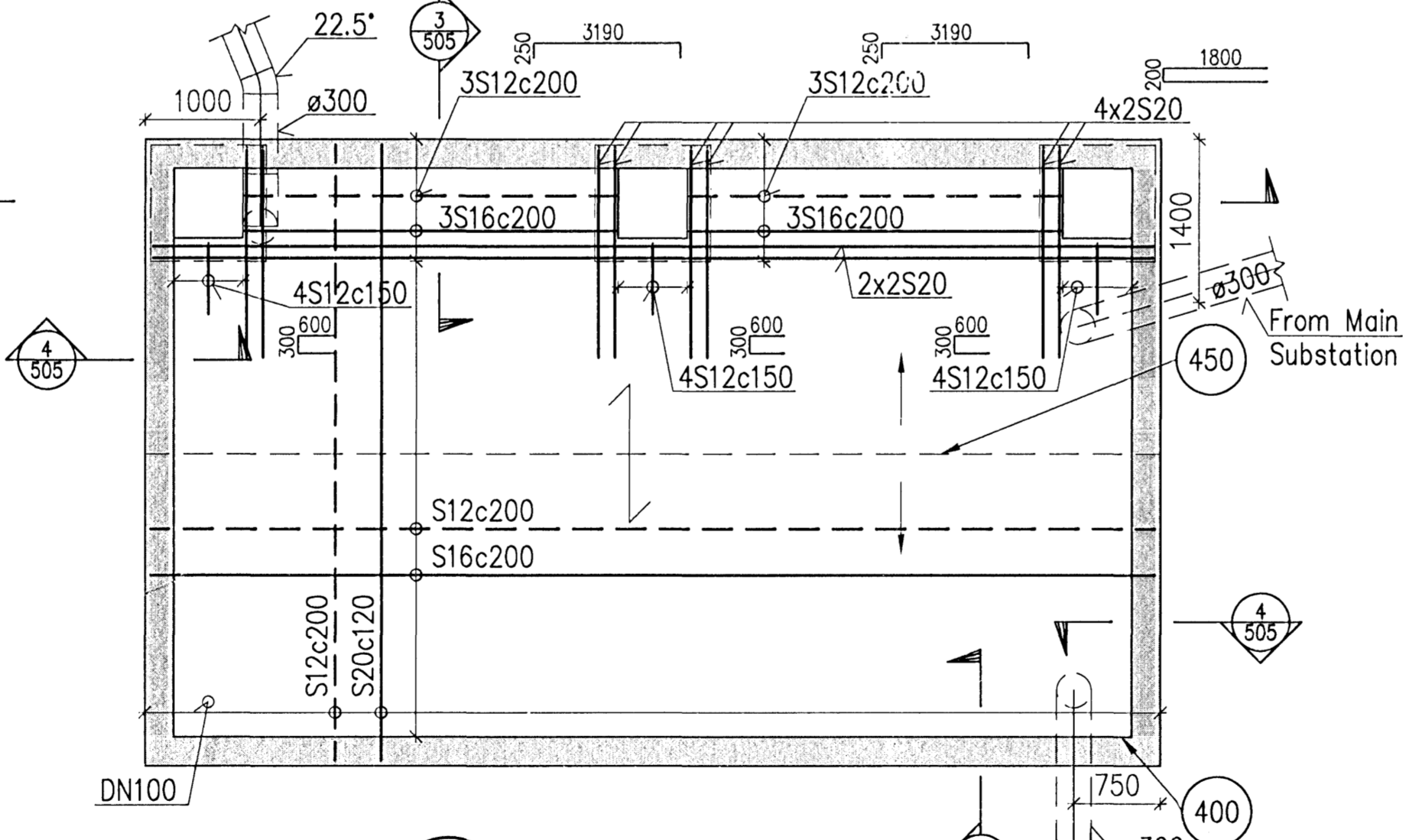


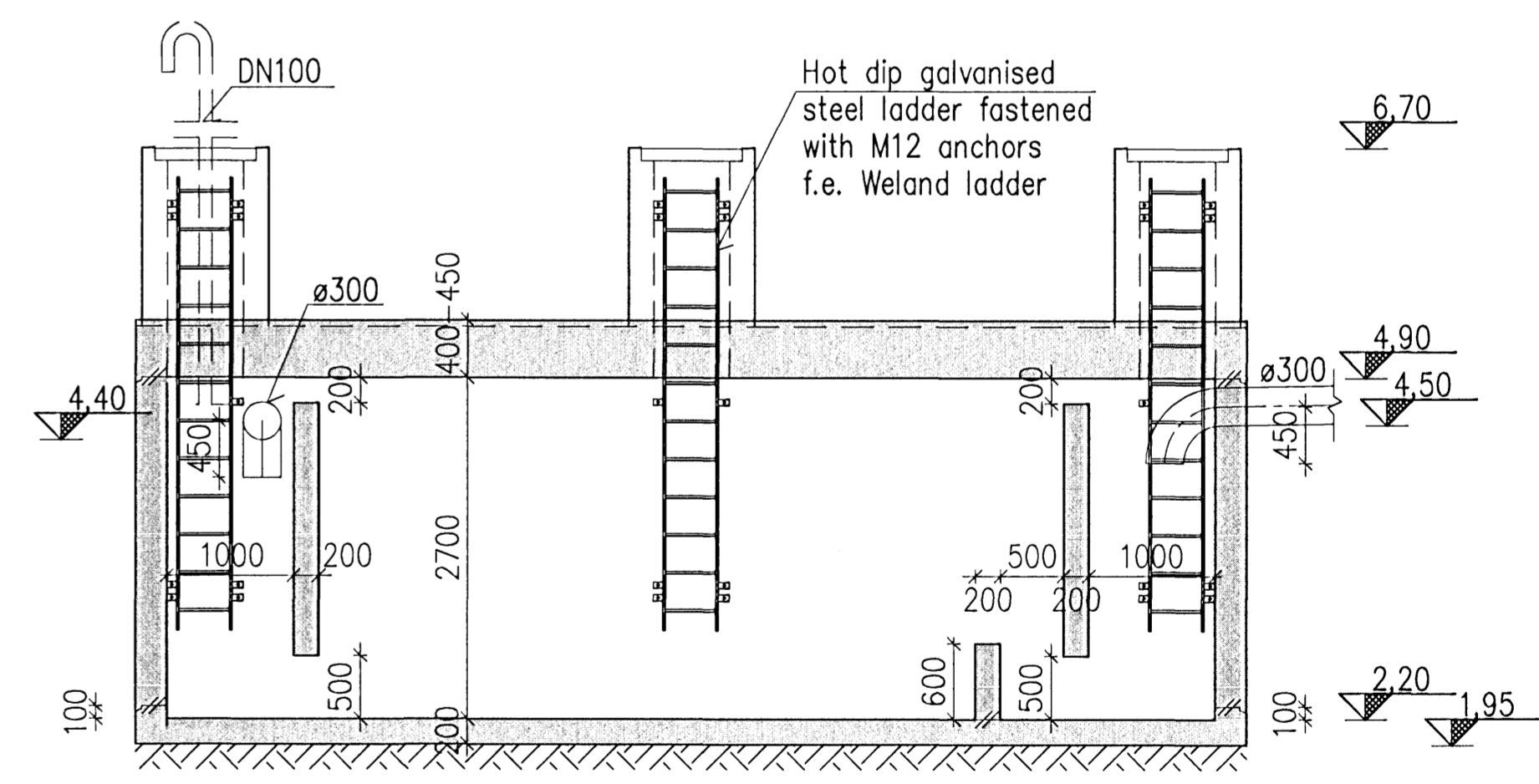
SECTION, 1:20



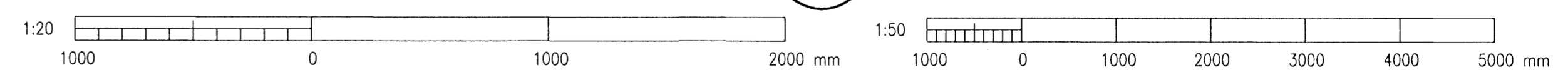
PLAN VIEW, 1:50



ROOF, PLAN VIEW, 1:50



SECTION, 1:50



Skýringar:
Explanations:

This drawing is the property of the Rio Tinto Alcan Iceland Ltd. and handed out for personal use only. It may neither be copied nor made available to others without permission of the Rio Tinto Alcan Iceland Ltd. The receiver is liable for any misuse.

Fjöldi stúkkja Number of pieces	Hútur Object	AtrNi Item	Efni Material	eo.stk Weight (kg)	total.f. heild Total weight	Athugasemdir Remarks
IV III II I	IDP 244 - WASTE WATER SUBSTATION & RECTIFIER BUILDING NEW OIL TRAP REINFORCEMENT					Star Format 1:20/50 Kostn.nr.-búnr. / Döna-Eg.no. 4011 AKS no.
	HRV					Talnr. vefsko / Döna. of suppl. Breyt. Rev. IDP-240-C8-015-504 12
	LDB 2009.03.01	Yfirfarið / Checked	NI NI			Sambýkt / Approved Níels Indriðason Drw.no. of ISAL / Tekn.nr. ISAL Breyt./Rev.
	RioTinto Alcan					2
	Teknað / Drawn	Yfirfarið og gert / Checked and filed				Notkun heimild / Released

