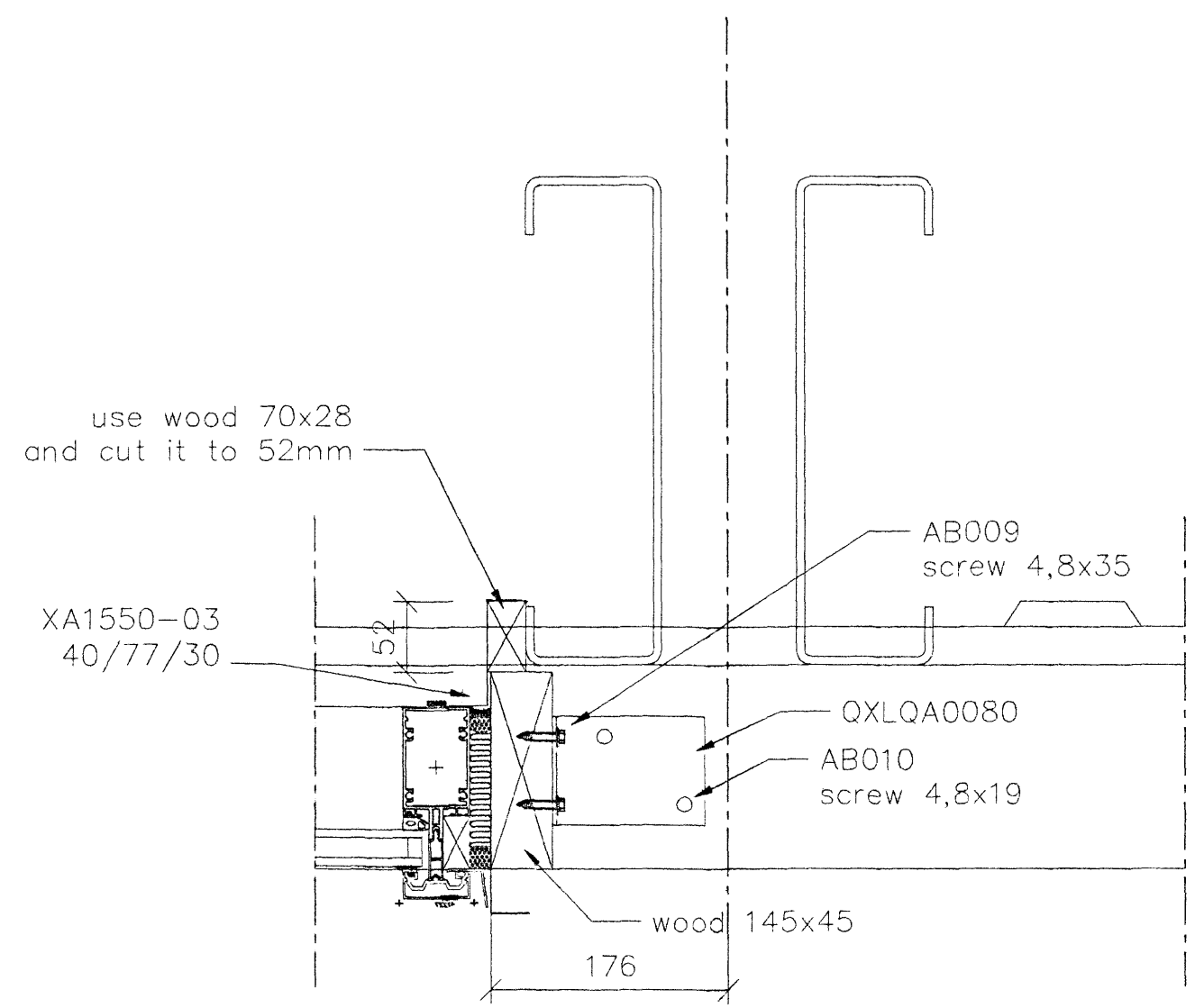
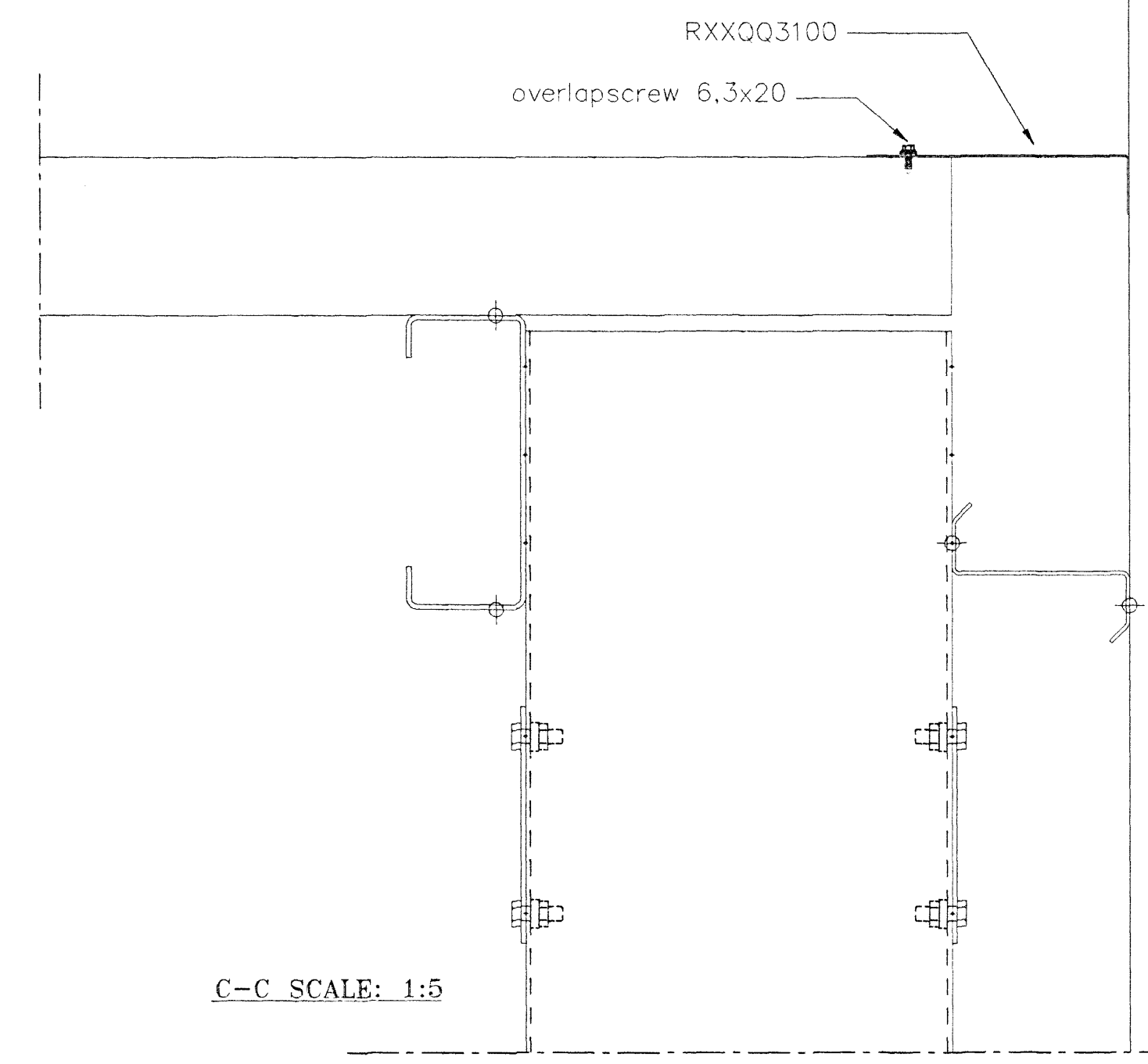


A-A SCALE: 1:5



B-B SCALE: 1:5



C-C SCALE: 1:5

Byggingafráttir Hafnarjarðar  
Algreitt þann  
05 SEP 2008

B section C_C corner wall-roof	SHI	2008-07-02
A window sections	SHI	2008-06-30
REG REOISTRATION	REG	DATE

**LENTAB**  
groop

**BM-VALLA**  
Tæknidæll  
Sýntafla-2, 112 Reykjavík  
Sími 412 5000 Fax: 412 5061

**BM-VALLA**  
Tæknidæll  
Símihúsið 23, 112 Reykjavík  
Sími 530669-0179  
Sími 412 5000

**BERGPLAST**  
Breiðhella 2

PROJECT NUMBER: 53007  
SALESMAN: Pjetur Guðafsson  
DATE: 08-05-13  
DESIGNER: Steffen Hintze

GABLE LINE 1

SCALE: 1:30  
DRAWING NUMBER: K-IS0007-2  
REG: B

ARITUNAR  
DAGS ARITUNAR  
22/8 08  
25/8 08