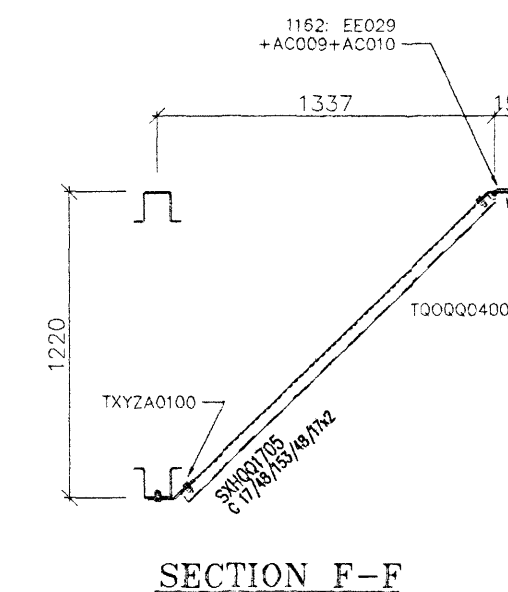
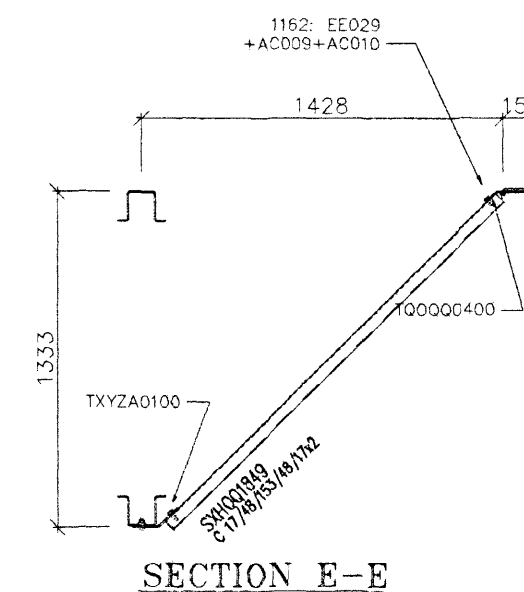
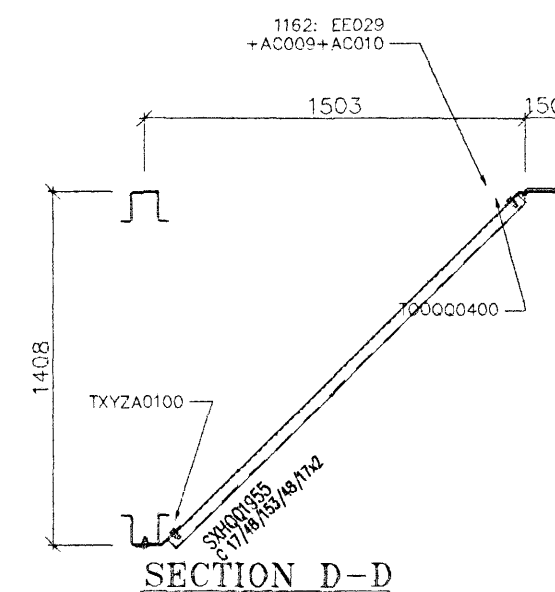
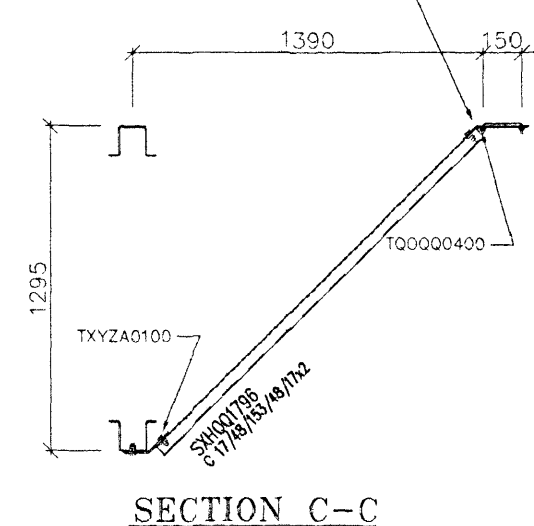
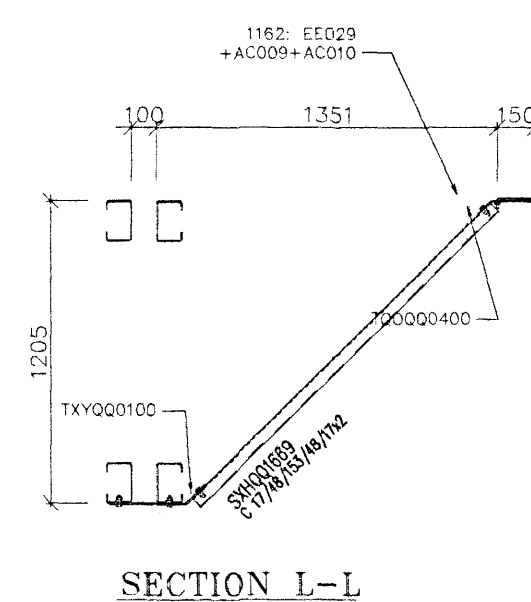


Look at the whole name of profiles !  
Some profiles have the same length  
but different thickness on the right  
and left side of the frame.



Byggingu-útlitri Hatnarjarðar  
Afgreitt bann  
9 SEP 2008

A bracing of lower frame		SHI	2008-07-02
REGISTRATION	DATE	SHI	DATE
<b>LENTAB</b> group		<b>BM-VALLA</b> Tæknideild Gyfaströð 112 Reykjavík Sími 412 5000 Fax 412 5061	

<b>BM-VALLA</b> Tæknideild Síðisá 23, 112 Reykjavík Sími 412 5000		TAKEN Peter Gustafsson	
ARITUN HÖNDUÐAR ARITUN SAMRÆMINGAR HÖNDUÐAR 23/8/08 25/8/08		DATE 23/08/08	
PROJECT NUMBER IS0007		SECTION NUMBER K-IS0007-6	
DATE 08-05-08		DRAWING NUMBER K-IS0007-6	
SCALE 1:30		REG A	