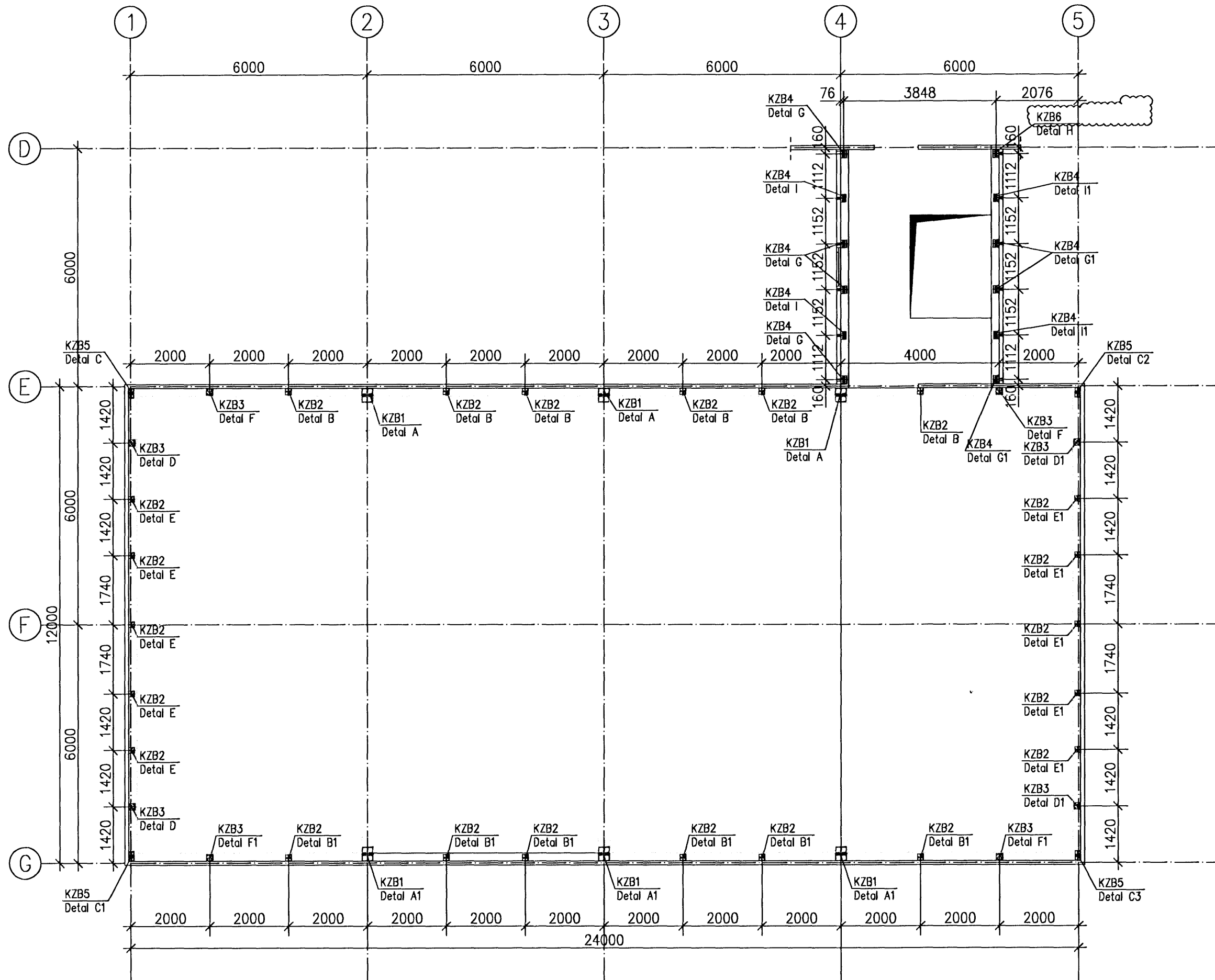
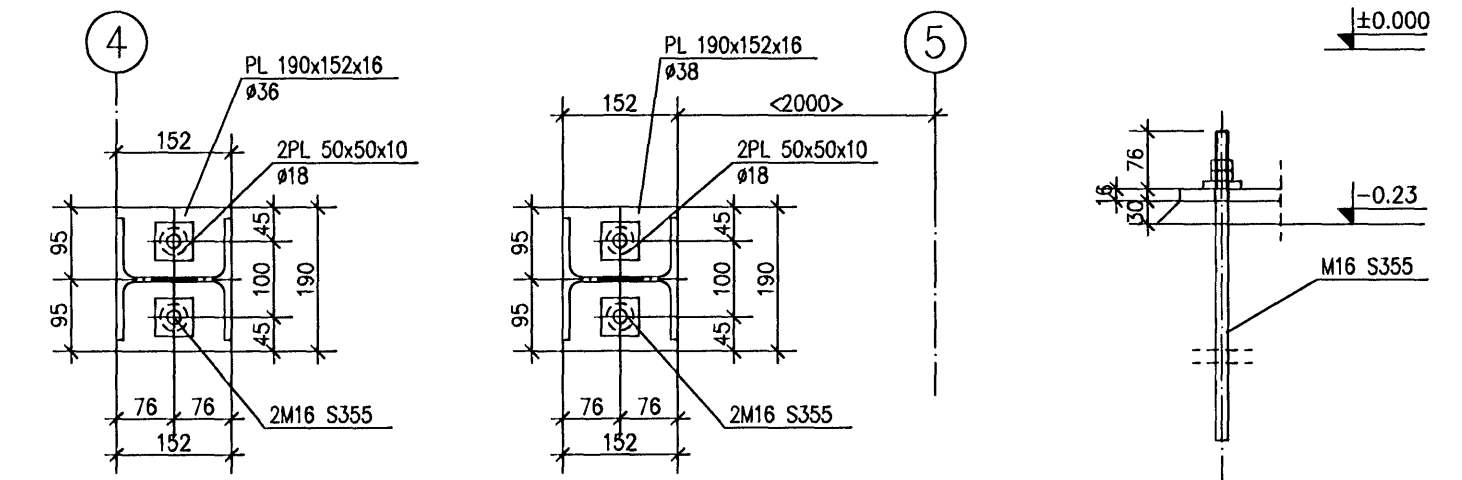


ANCHORS PLANE - OFFICE
SCALE 1:100



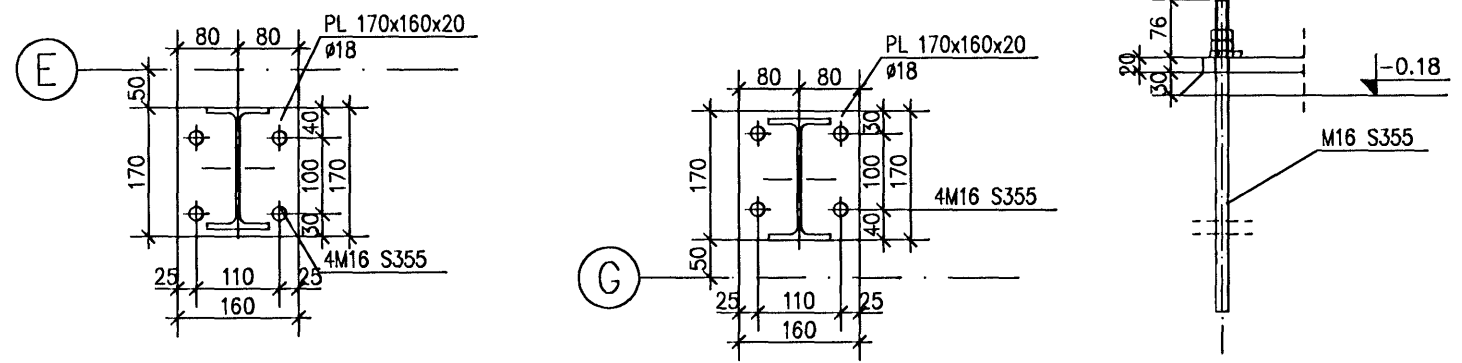
DETAIL G 1:10

DETAIL G1 1:10



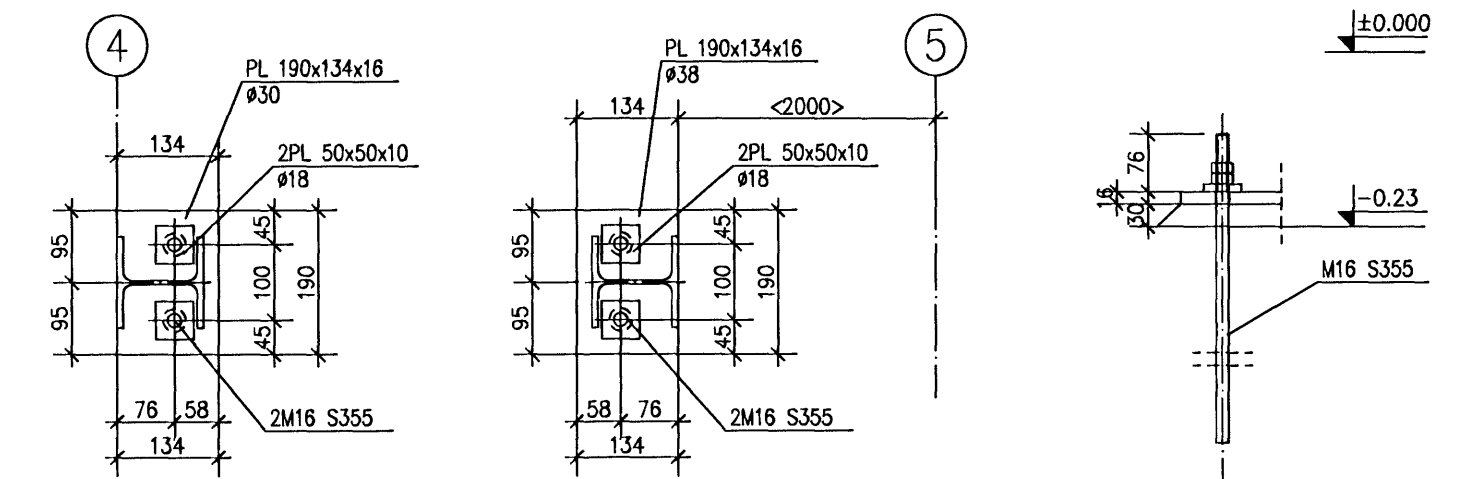
DETAIL F 1:10

DETAIL F1 1:10

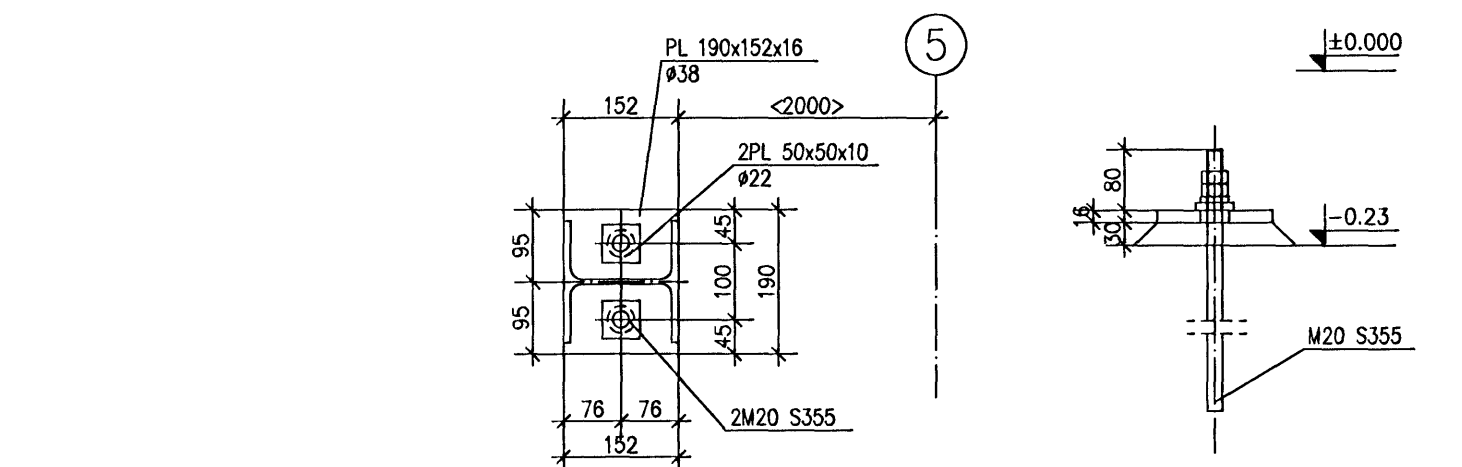


DETAIL I 1:10

DETAIL I1 1:10

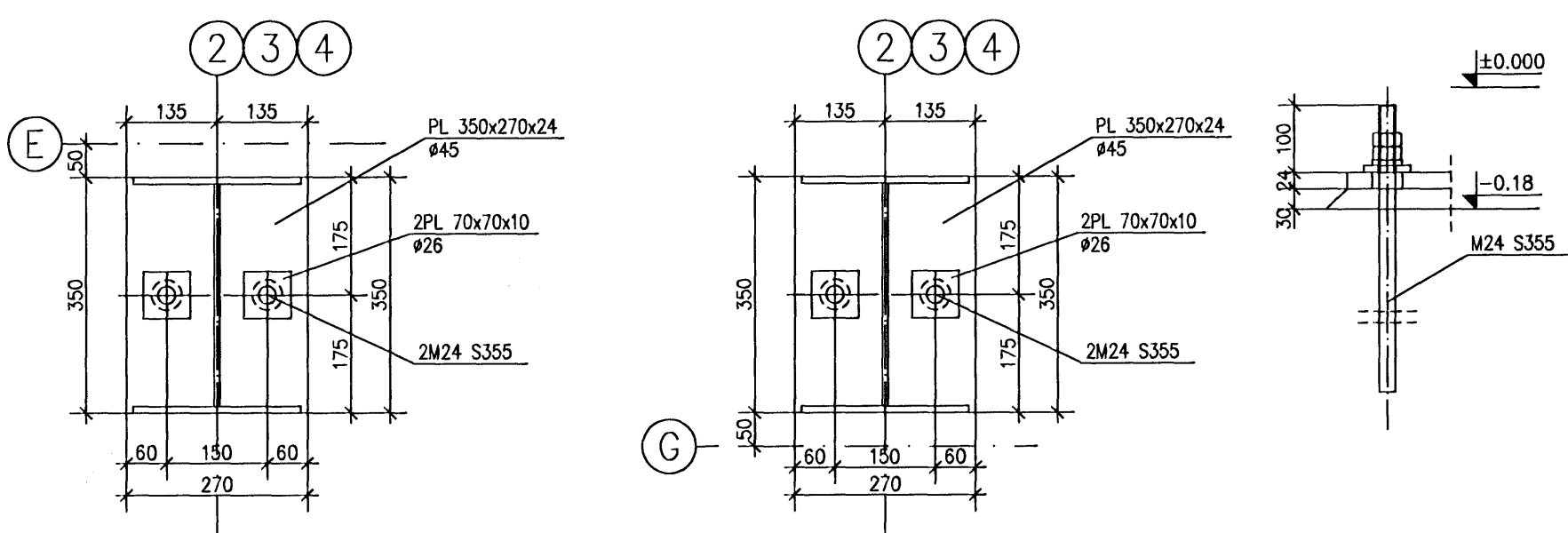


DETAIL H 1:10



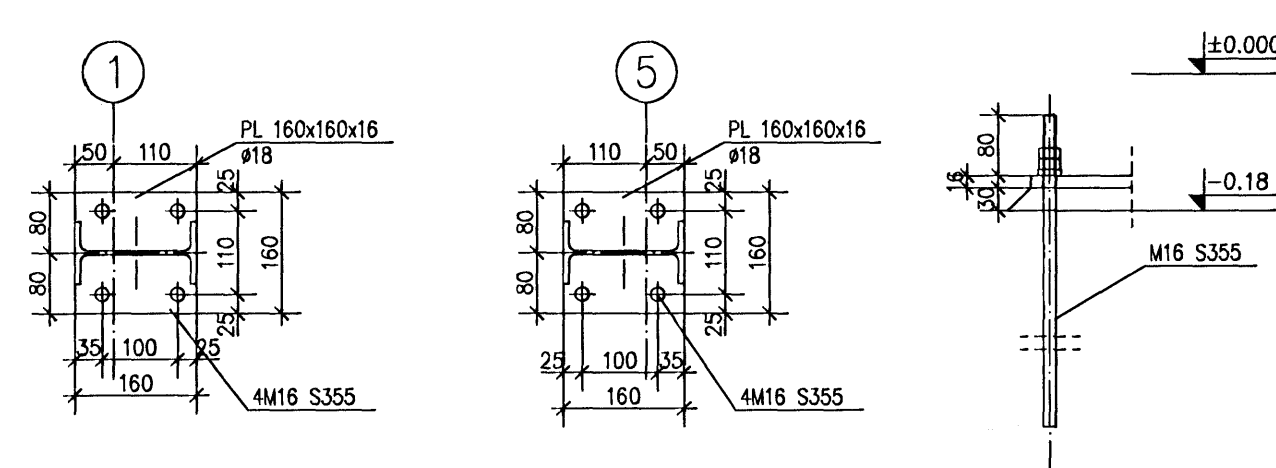
DETAIL A 1:10

DETAIL A1 1:10



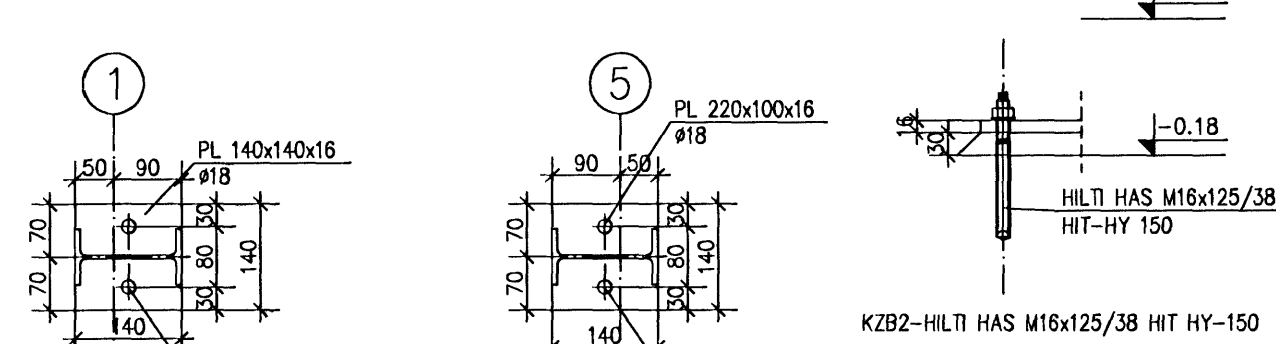
DETAIL D 1:10

DETAIL D1 1:10



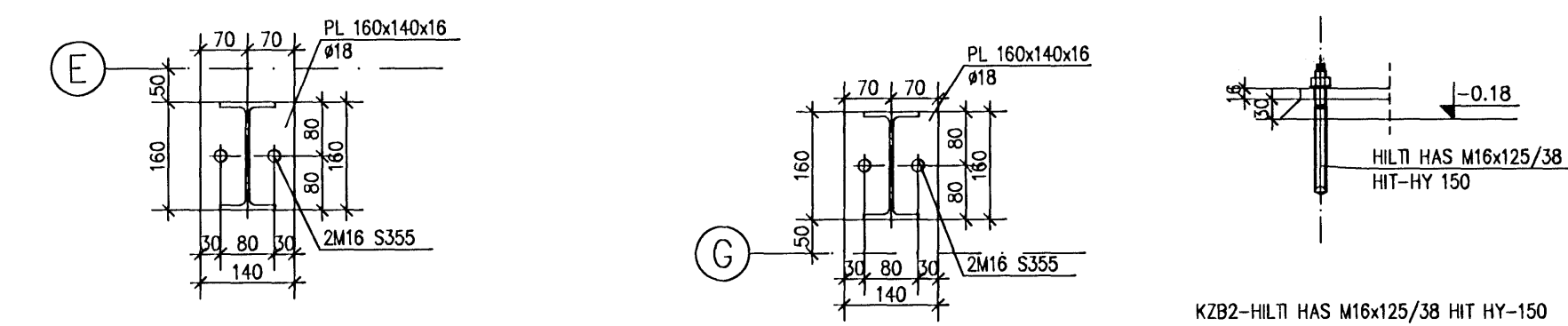
DETAIL E 1:10

DETAIL E1 1:10



DETAIL B 1:10

DETAIL B1 1:10

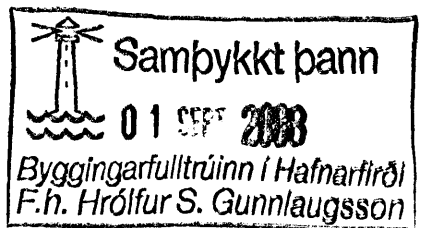
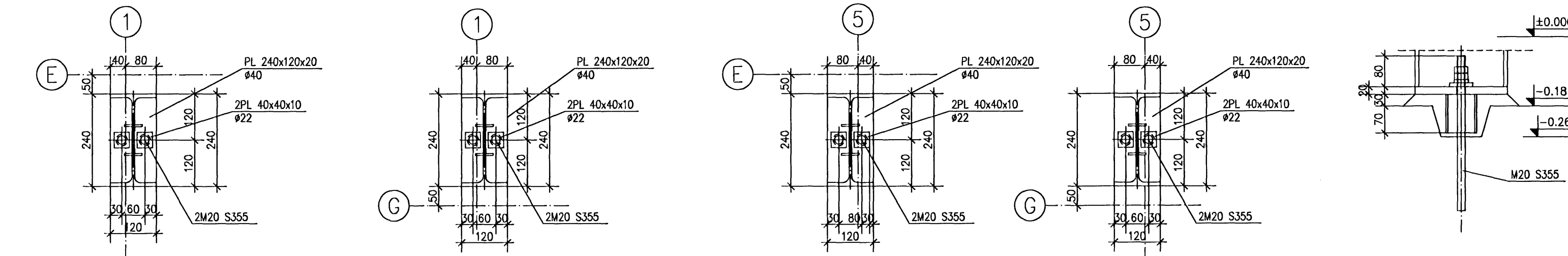


DETAIL C 1:10

DETAIL C1 1:10

DETAIL C2 1:10

DETAIL C3 1:10



Eylinna
231164-3119

Línuhönnun
consulting engineers
Sudurlandsbraut 4A, IS-108 Reykjavík
tel: +354 585 1500, fax: +354 585 1501

Árnór
level ±0,00=h=31,95m

Revision	Date	Change
G	07-08-2007	CHANGES ARE MARKED BY THE CLOUDS
F	26-06-2007	CHANGES ARE MARKED BY THE CLOUDS
E	13-05-2007	CHANGES ARE MARKED BY THE CLOUDS
D	27-02-2007	CHANGES ARE MARKED BY THE CLOUDS
C	29-01-2007	CHANGES ARE MARKED BY THE CLOUDS
B	23-01-2007	CHANGES ARE MARKED BY THE CLOUDS
A	08-01-2007	CORRECT LEVEL ANCHORS

Documentation Stage: Construction design	Branch: Steel Construction	Date: 2007-12-18
Object, Name and Address: -	Drawing name: ANCHORS PLAN - OFFICE	Scale: 1:100 1:10
Designed by: Piotr Waloski	Prepared by: Bartosz Regulski	Project No.:
Verified by: Krzysztof Bednarski	Drawing No.:	Rev: G

Finnmap Polska
ul. Wyzyskowska 111 53-457 Osieźnica POLSKA
tel: +48 89 533 31 42 fax: +48 89 533 31 42 www.finnmapgroup.pl

RST Net
Álfhelli 6
221 Hafnarfjörður