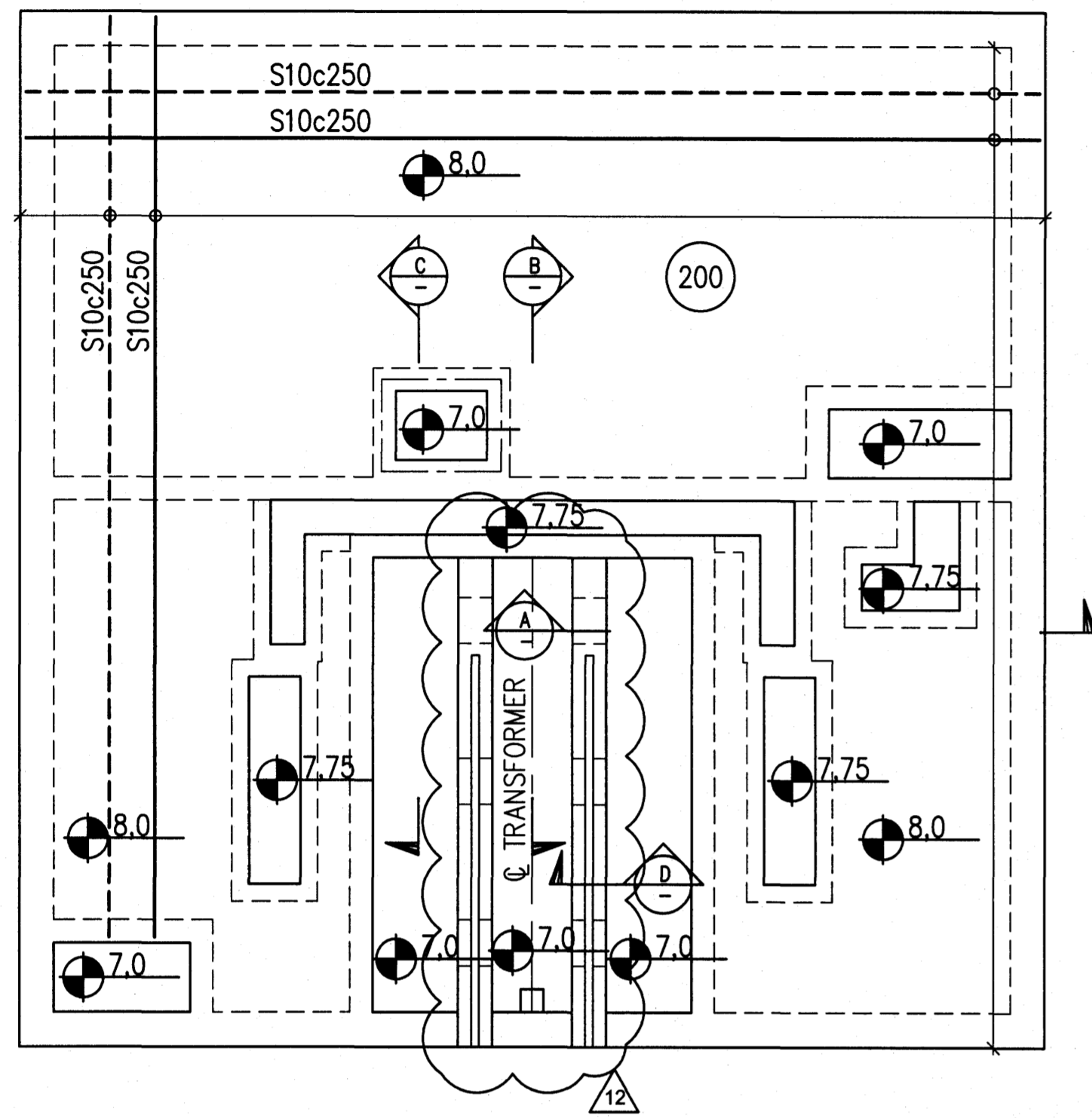
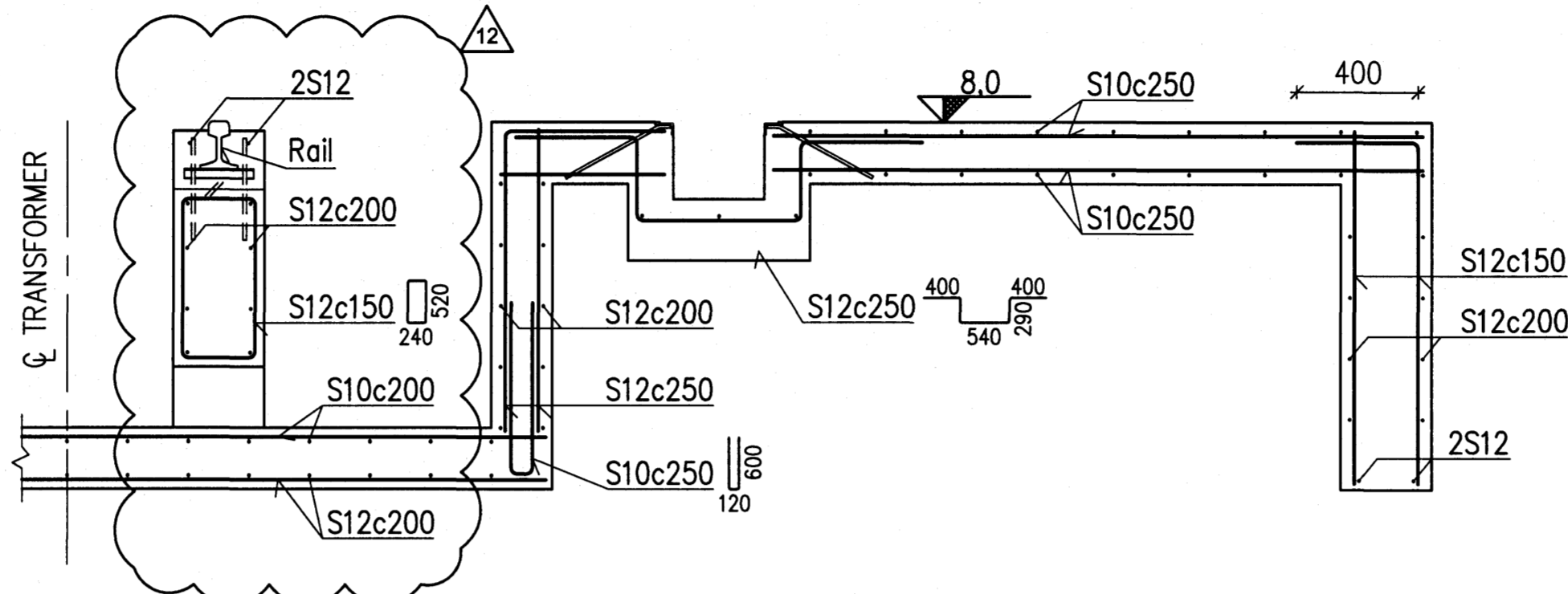


Níki Indriðsson
 191144-3949

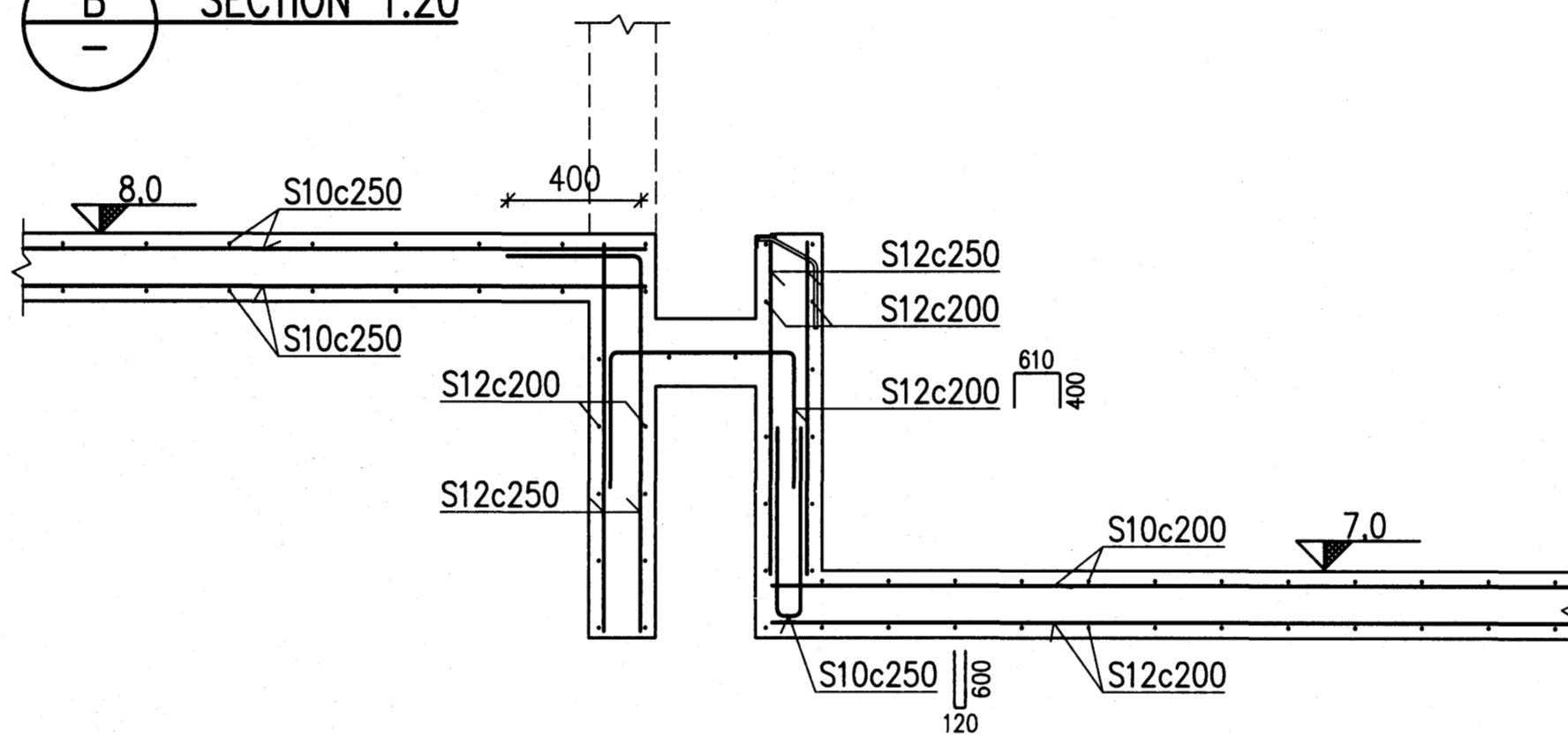
PLAN 1:50



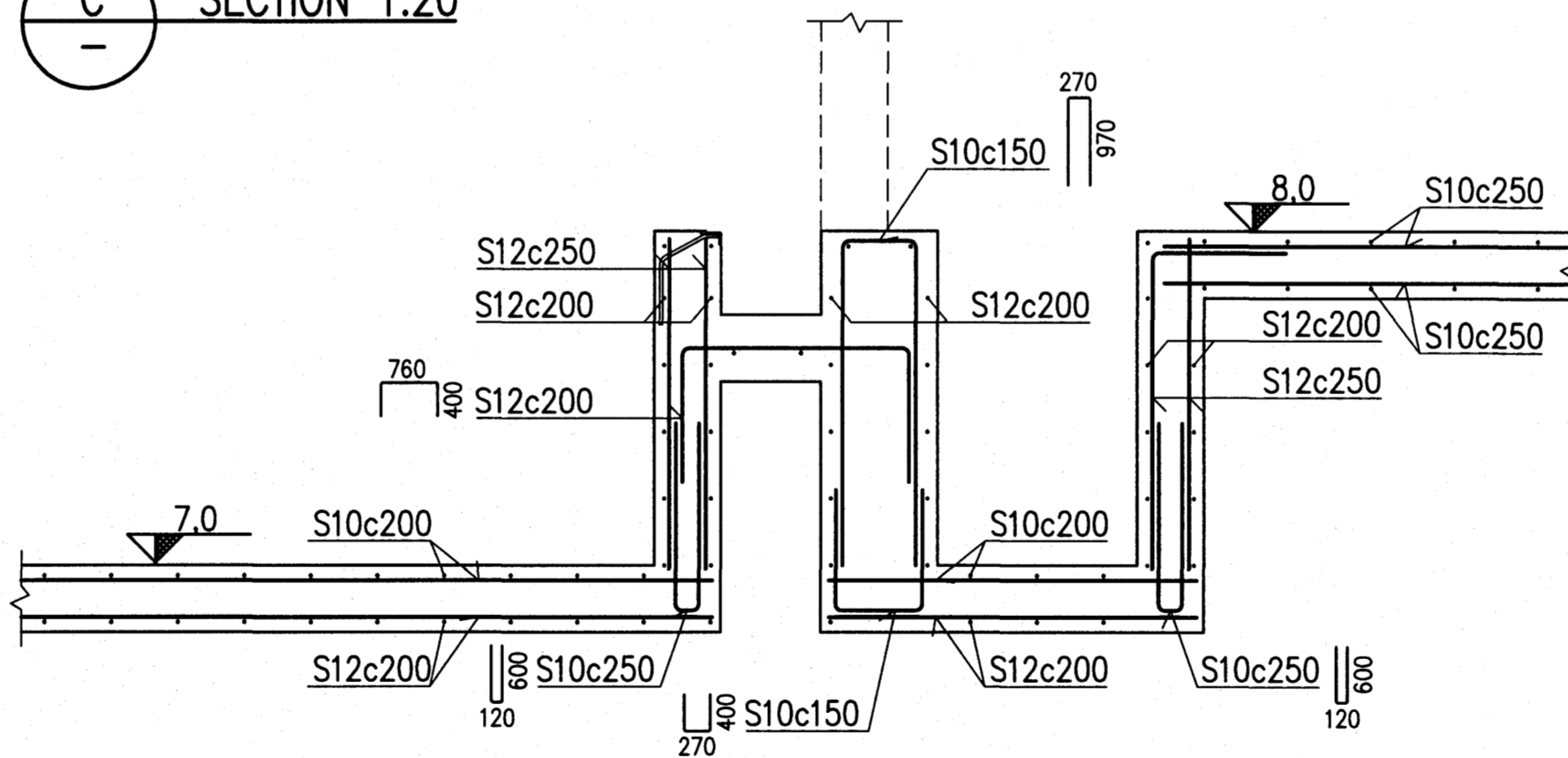
A SECTION 1:20



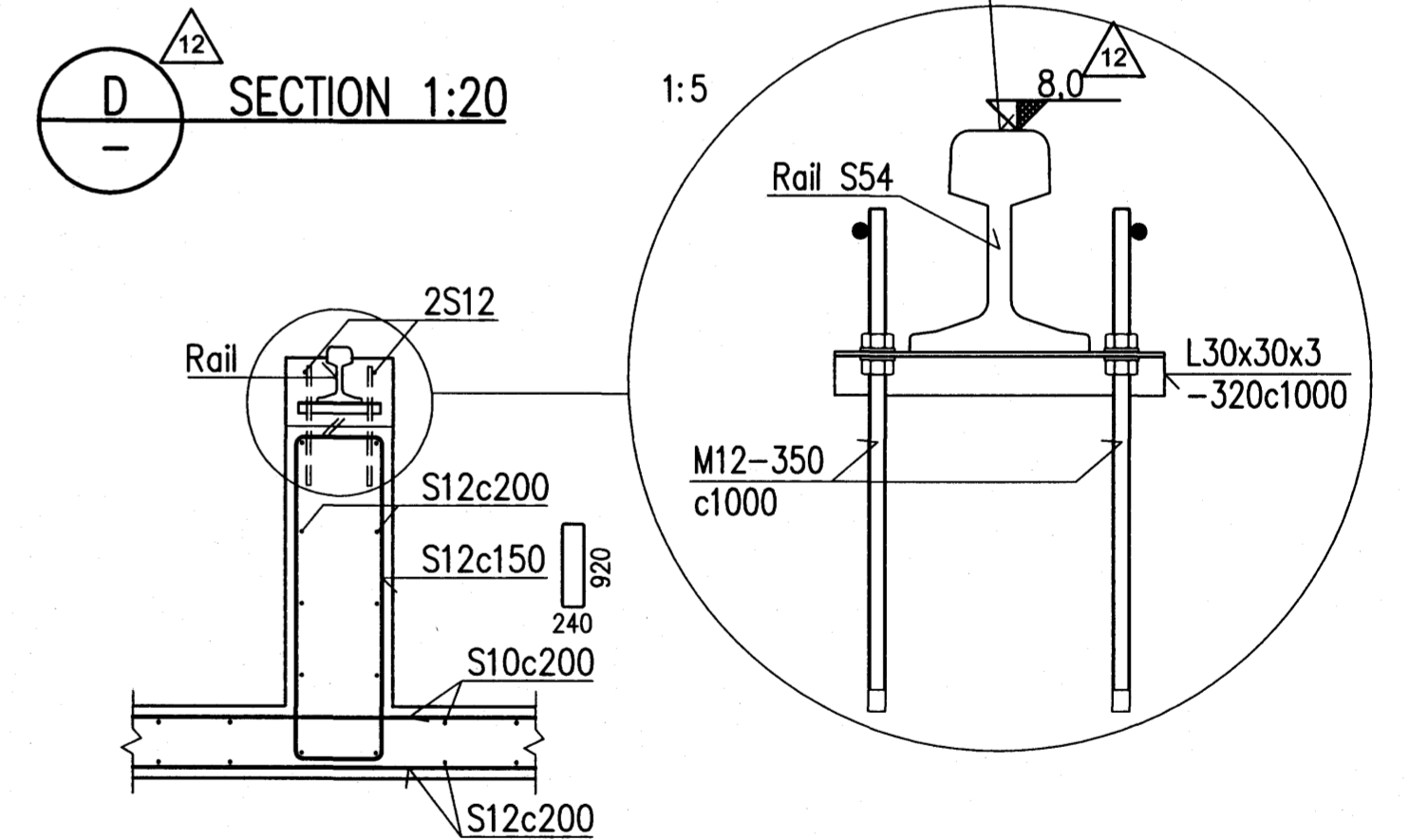
B SECTION 1:20



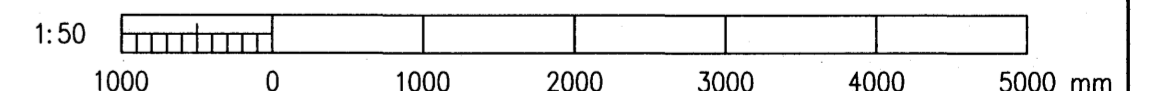
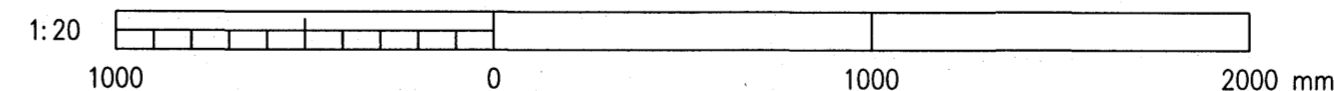
C SECTION 1:20



D SECTION 1:20



Electrical grounded see drawings
 no IDP-410-FH-073-001 and
 IDP-410-FH-073-002



Skýringar:
 Explanations: Concrete: C30/37: XF3 Also see IDP-410-CA-000-030 for concrete
 Formed surfaces: F2 and IDP-410-ZA-000-060 for steel.
 Reinforcement steel: B500C
 Structural steel: S235JR
 Insulation: Rockwool



Rev.	Desc.	Date	Appr.	Released
12	Transformer rail elevation	10.06.28	N	
11	Issue for construction	10.05.06	HFB	

Fjöldi stykja	Hlutur	Atriði	Efni	eo.:stk	total: f heild	Alhugasemdir
Number of pieces	Object	Item	Material	Weight (kg)	Drawn	Remarks
IV III II I	IDP 410 - SUBSTATION PL3 - BOOSTER BUILDING FOUNDATIONS & FLOOR SLAB REINFORCEMENT					Star Formát A1 Mv. Scale 1:20,50 Kostn.nr.-Skr.nr. / Öðnr.-Eqn. 4011 AKS no.
	HRV					Tel.nr. verks / Drawn of apppr. Breyt./Rev. IDP-410-CO-073-287 C
	HFB/AFV 2009.01.08	Yfirf. Checked	NI			Samþykkt Approved Níki Indriðsson
	Rio Tinto Alcan					ISAL Strumuv. Alcan Iceland Ltd is-222 Hafnarfirði
		Yfirf. og skid Checked and filed				Nóttun heimild Released