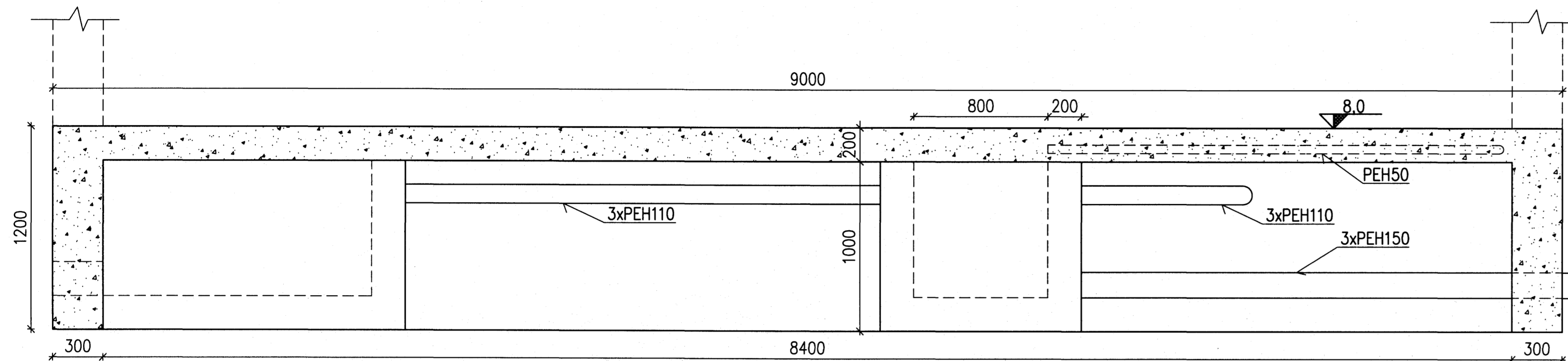


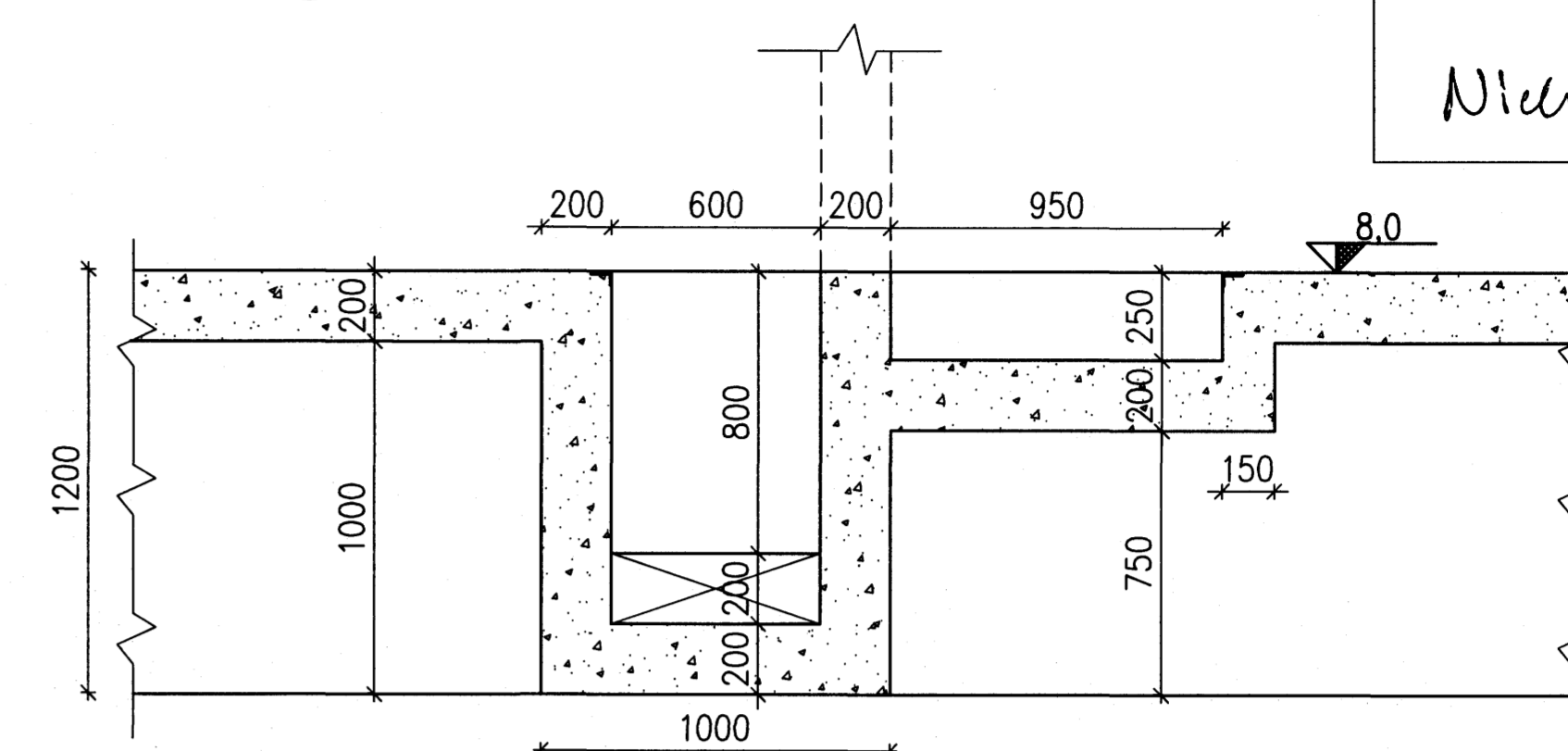
Sambýkkt þann
 08 JUL 2010
 Byggingufulltrúi / Hafnarfróði
 F.h. Sigurður Sigmundsson

Níels Indriásson
 1944-75 4a

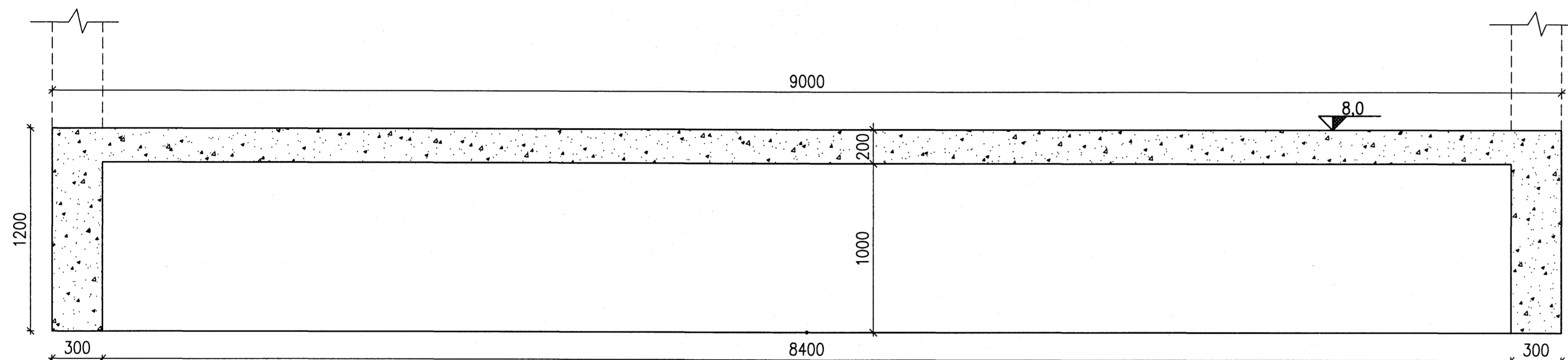
D SECTION
 284



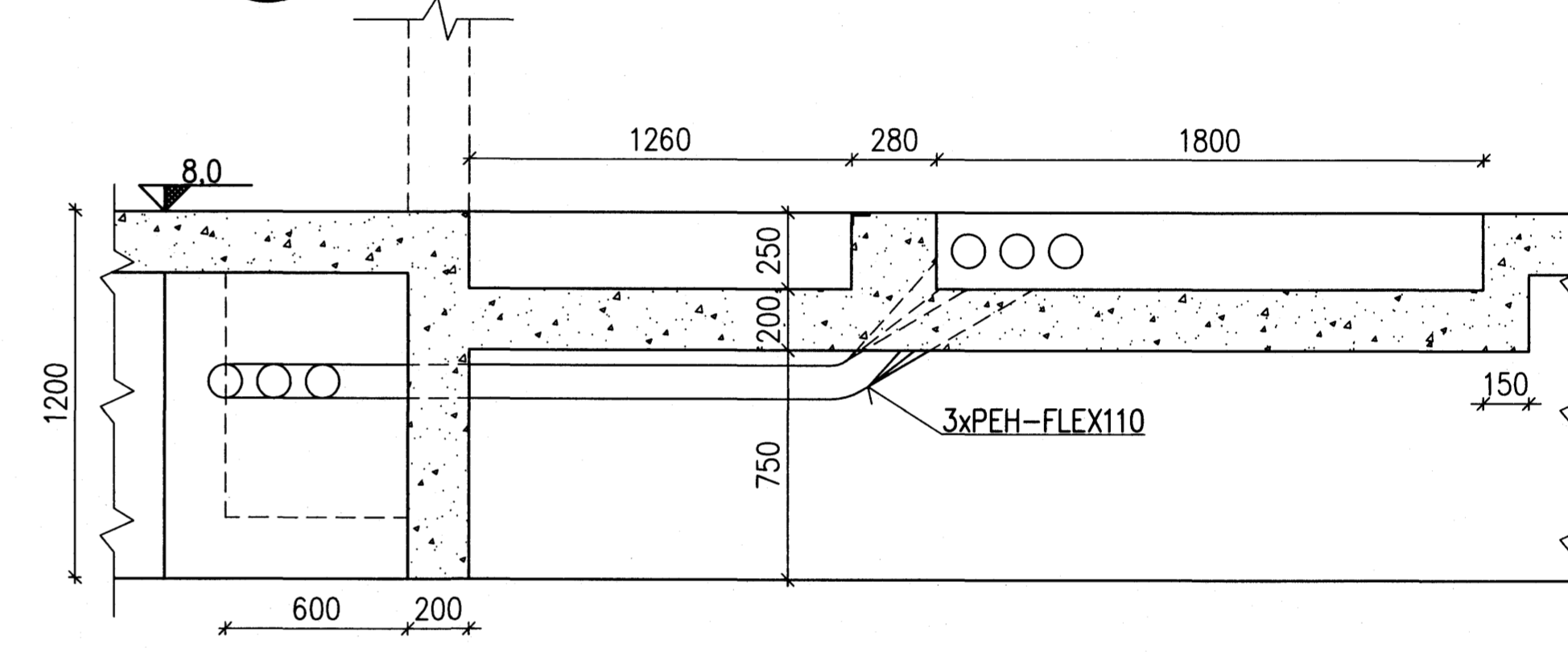
G SECTION
 284



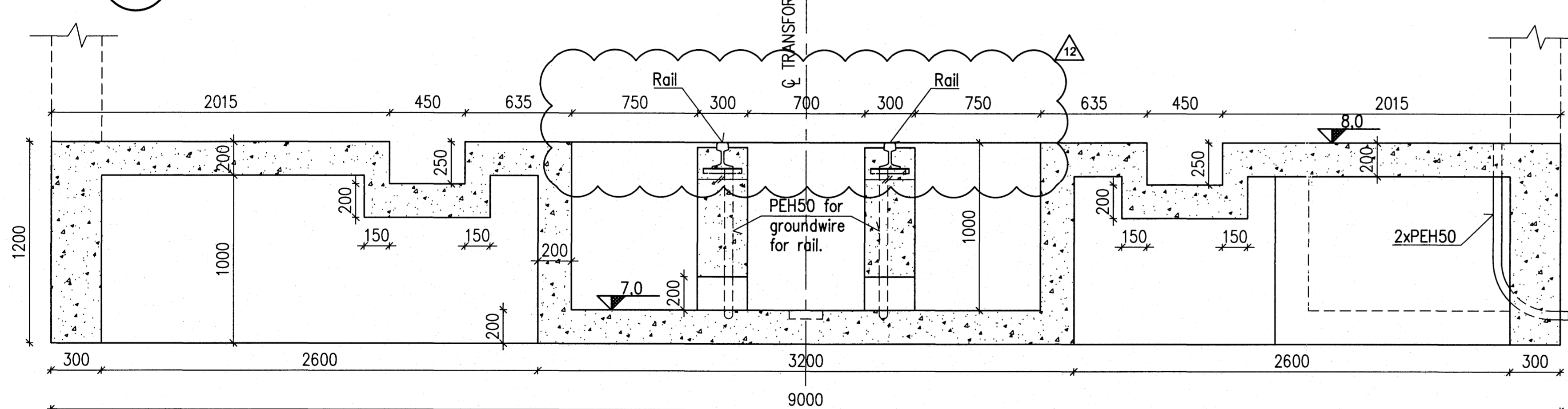
E SECTION
 284



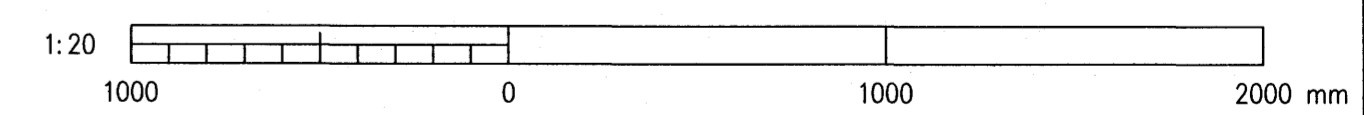
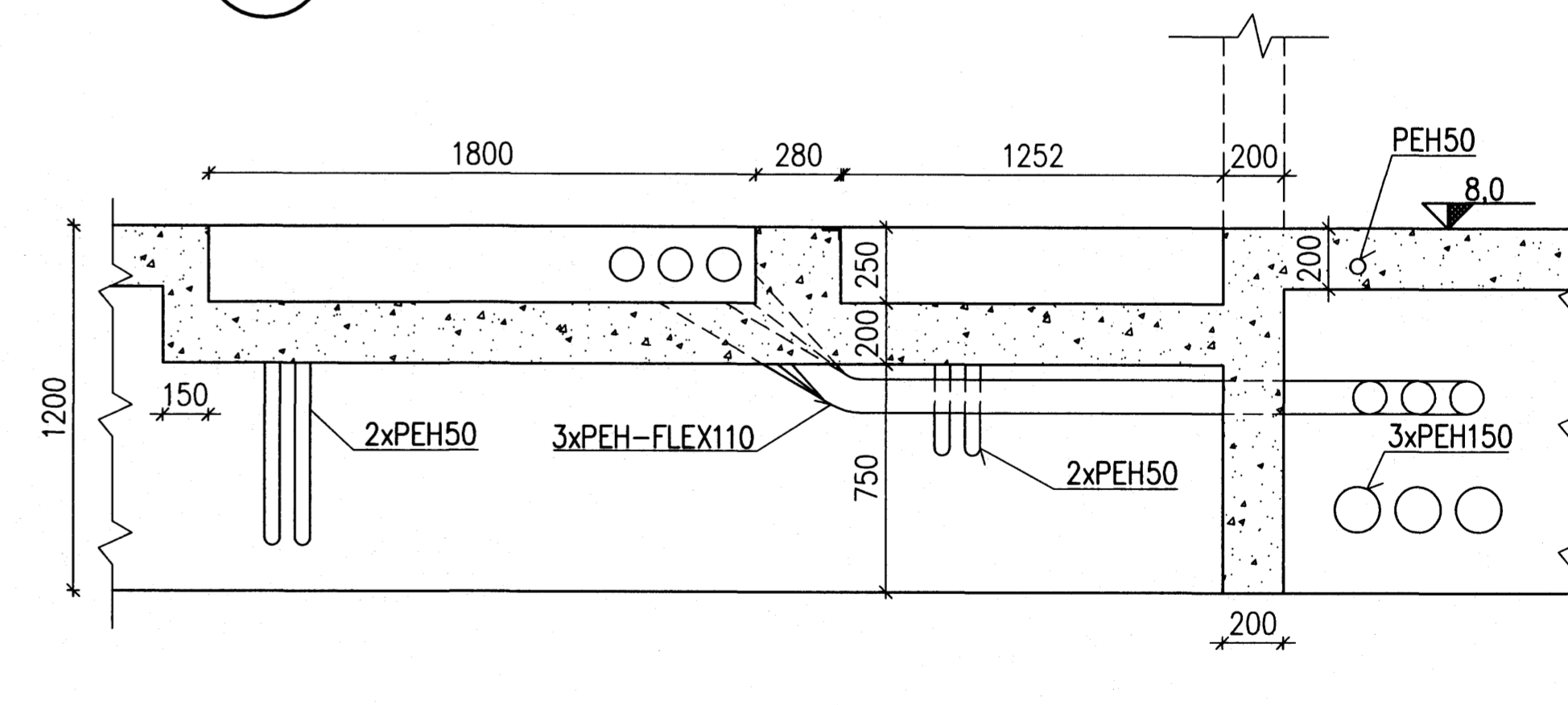
H SECTION
 284



F SECTION
 284



I SECTION
 284



Skýringar:
 Explanations: Concrete: C30/37: XF3
 Formed surfaces: F2
 Reinforcement steel: B500C
 Structural steel: S235JR
 Insulation: Rockwool

Also see IDP-410-CA-000-030 for concrete
 and IDP-410-ZA-000-060 for steel.



Breyt. Rev.	Breyting / Revision	Daga. Date	Samb. Approved	Nokk. heimil. Released
12	Transformer rail elevation	10.06.28	N	
11	Issue for construction	10.05.06	HFB	

This drawing is the property of the Rio Tinto Alcan Iceland Ltd. and handed out for personal use only. It may neither be copied nor made available to others without permission of the Rio Tinto Alcan Iceland Ltd. The receiver is liable for any misuse.

Fjöldi stykja / Number of pieces	Hlutur / Object	Atriði / Item	Efni / Material	ea. stk. / Weight	Ítal. / Total	Ítal. / Total	Althugsamdir / Remarks
IV III II I	IDP 410 - SUBSTATION PL3 - BOOSTER BUILDING FOUNDATIONS						
	Varkali / Supplier	HRV					
	Teknað / Drawn	HFB/AFV 2009.01.08	Yfirfarð / Checked	NI			
	Teknað / Drawn		Samþykkt / Approved	Níels Indriásson			