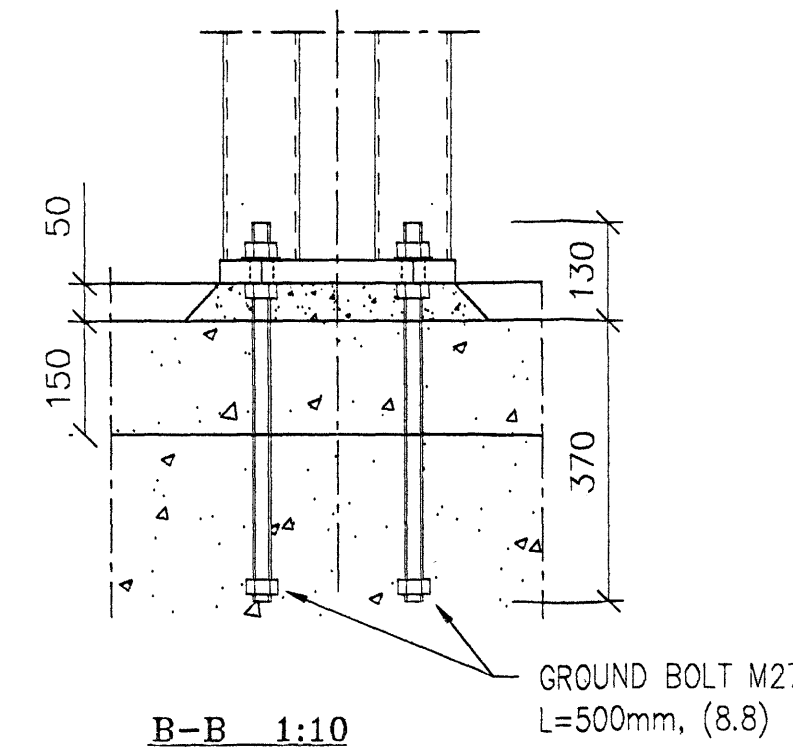
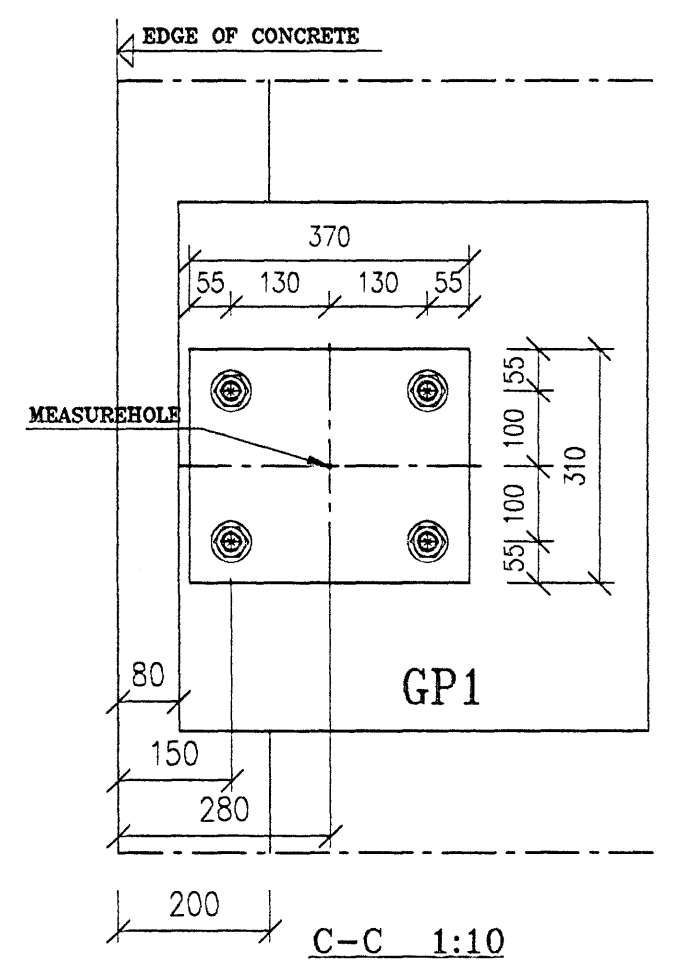


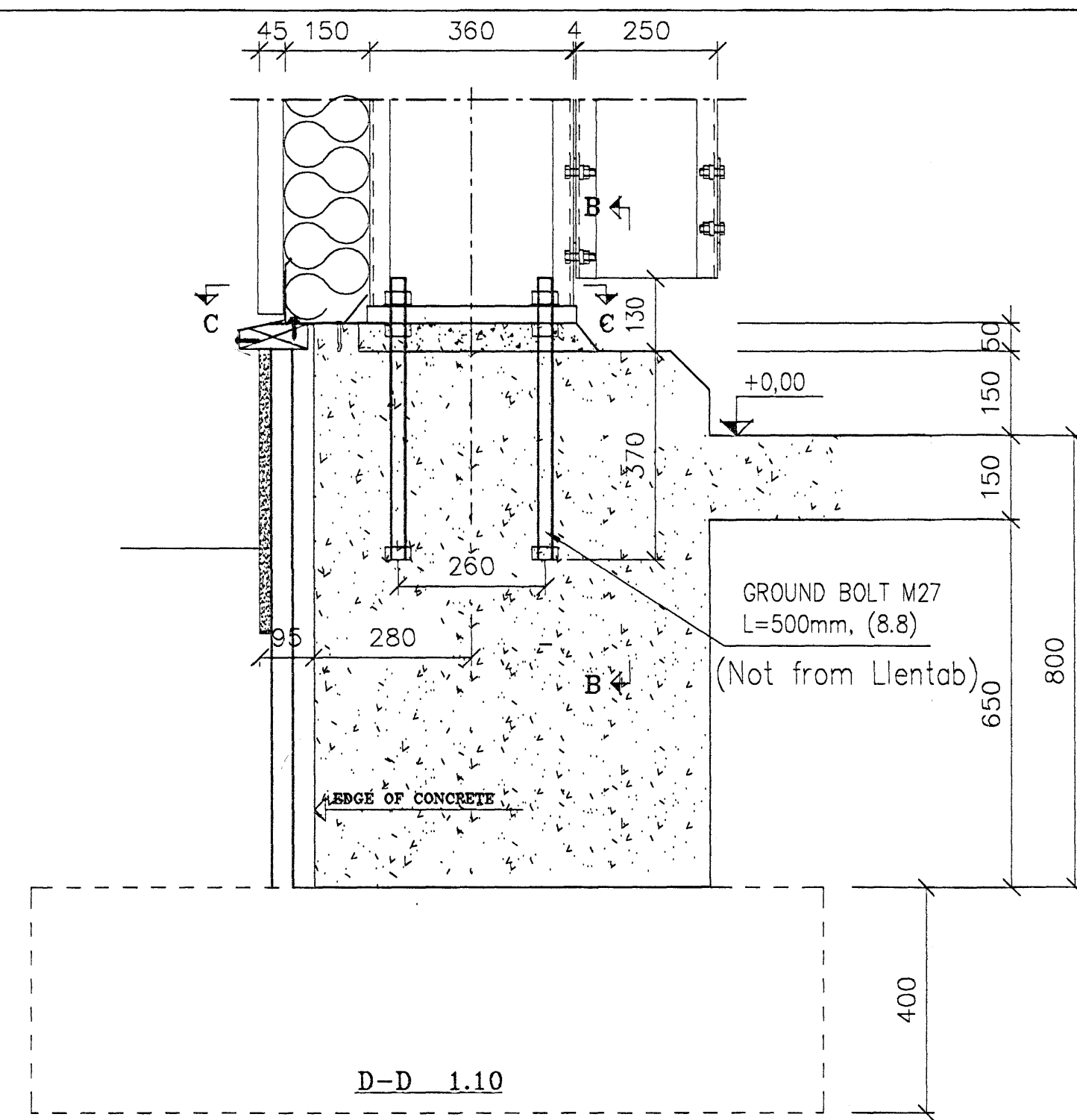
A-A 1:10



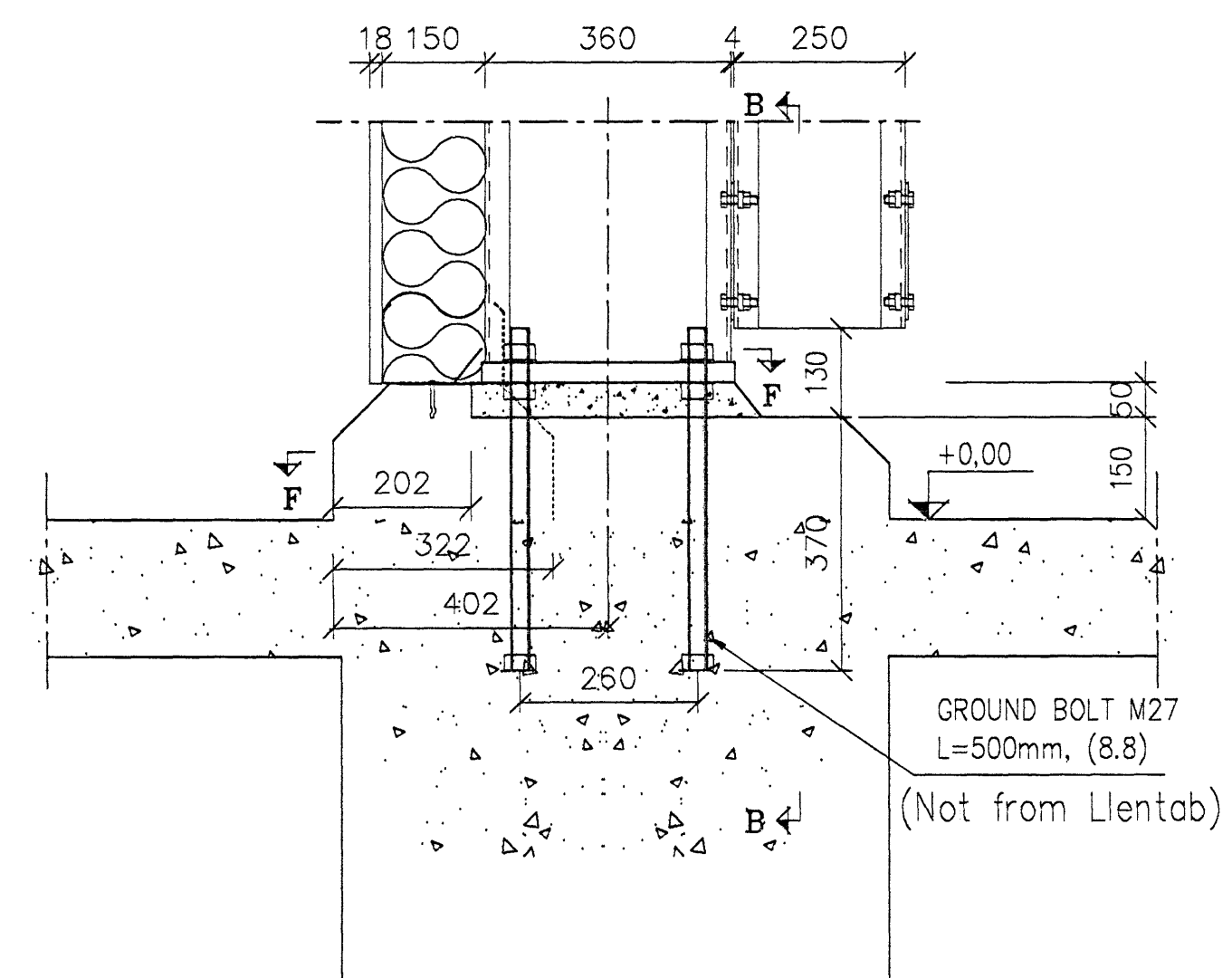
B-B 1:10



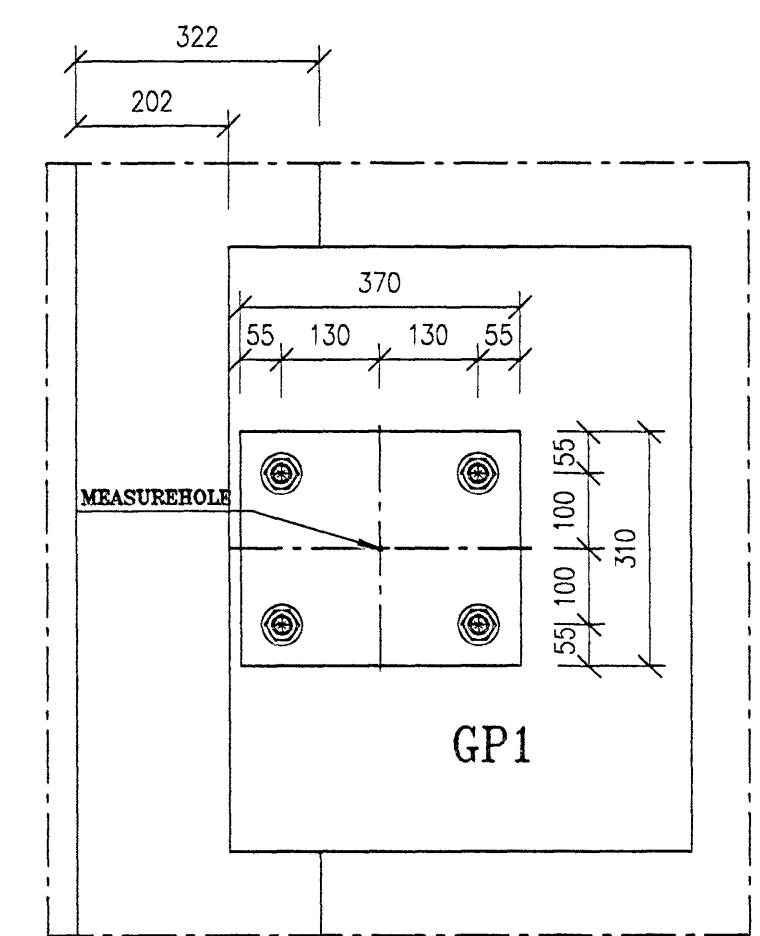
C-C 1:10



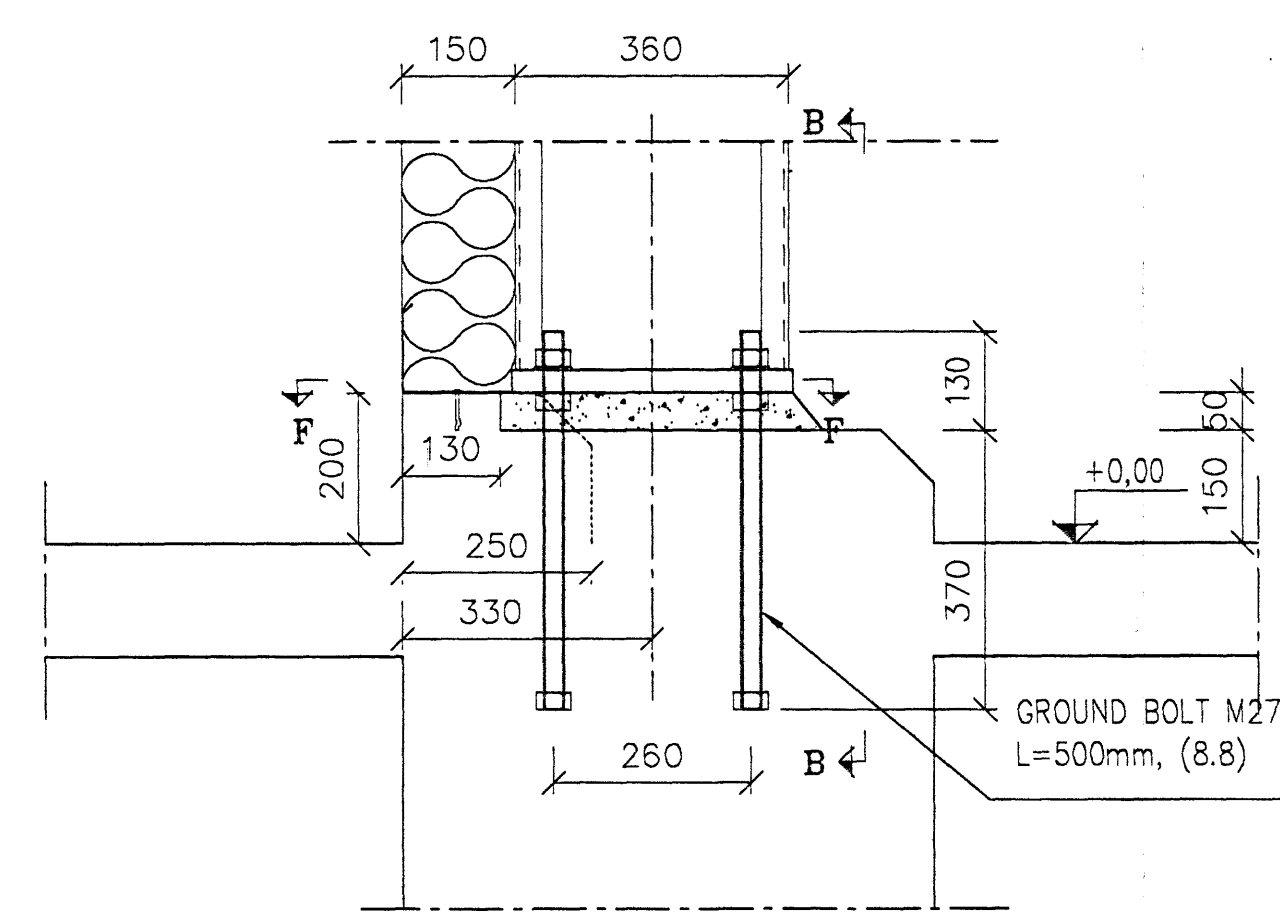
D-D 1:10



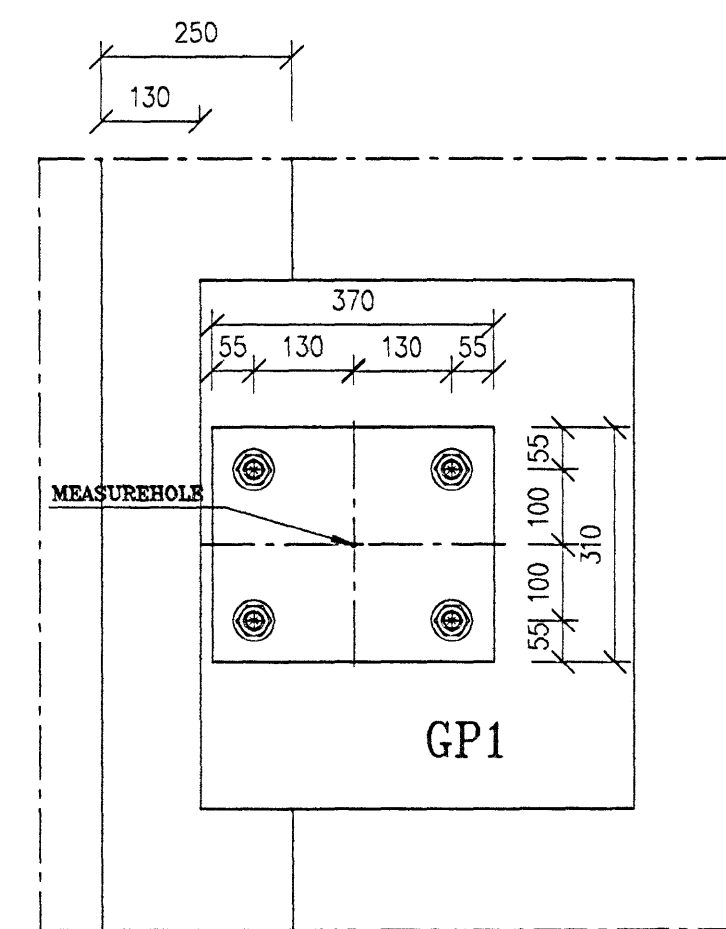
E-E 1:10



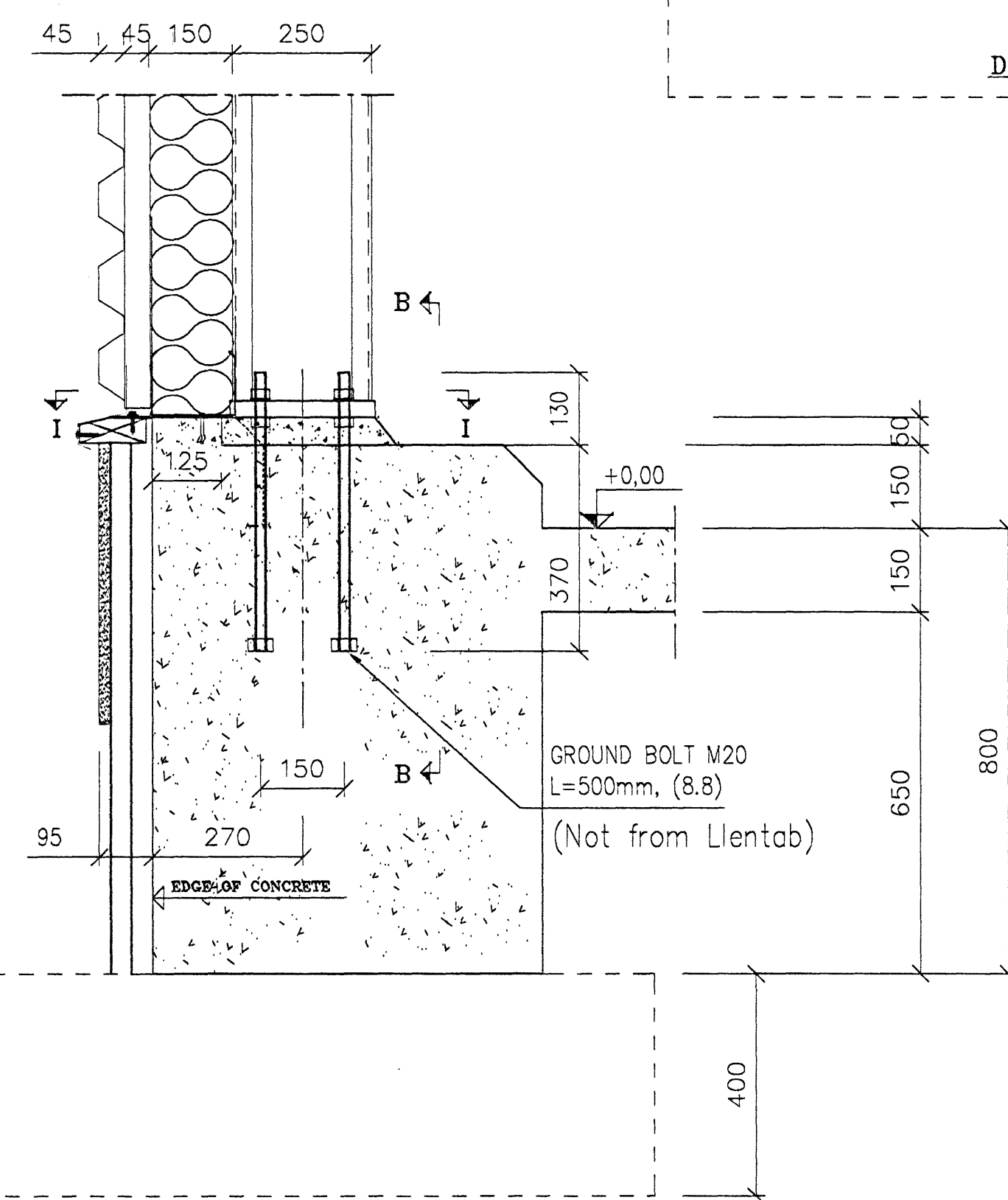
F-F 1:10



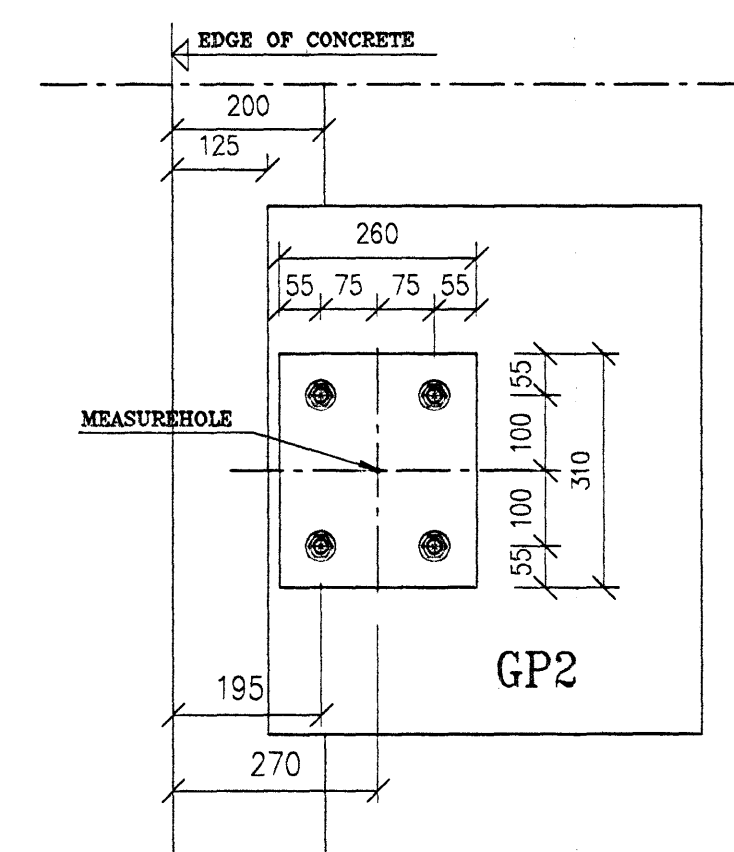
G-G 1:10



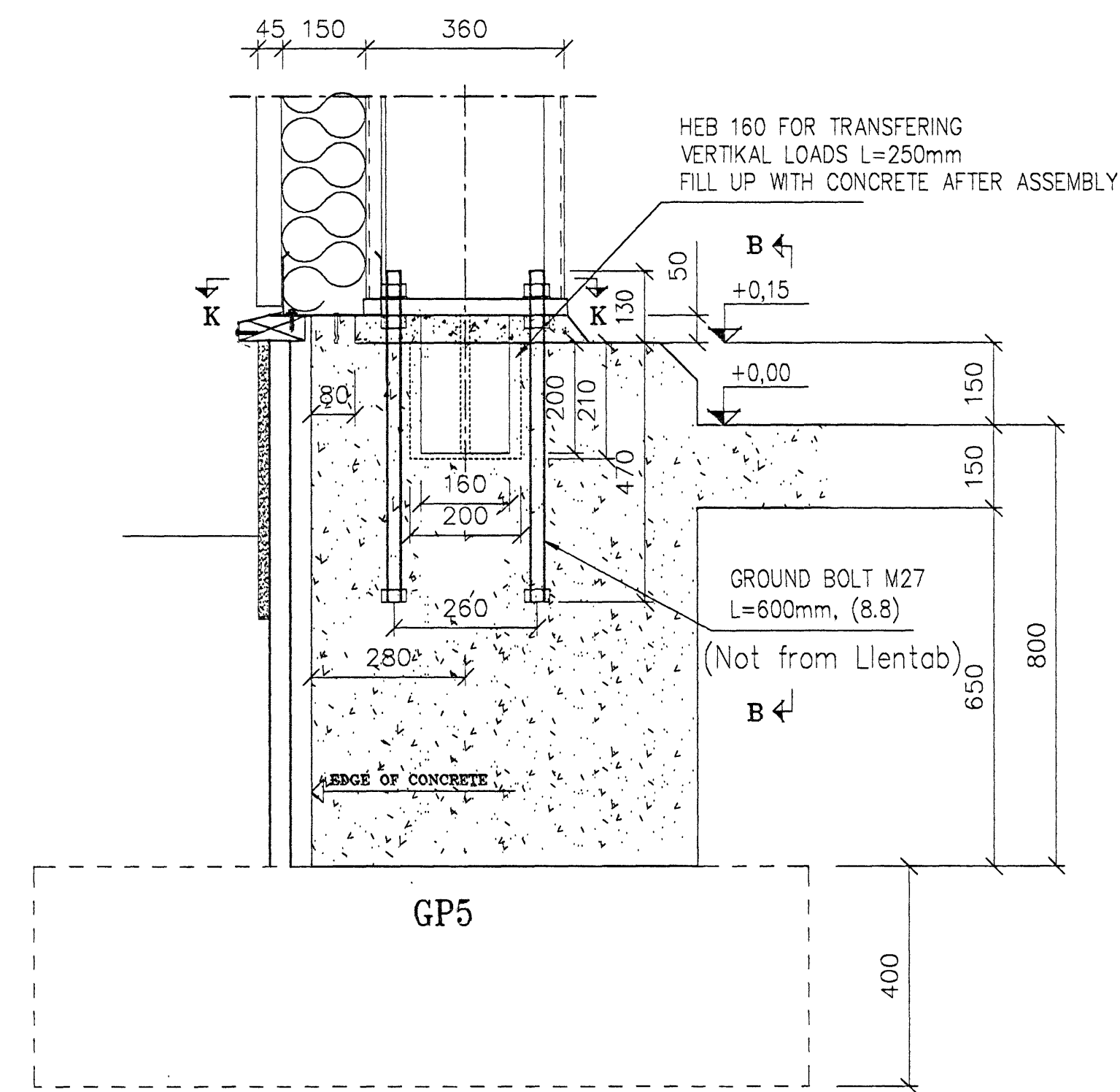
F-F 1:10



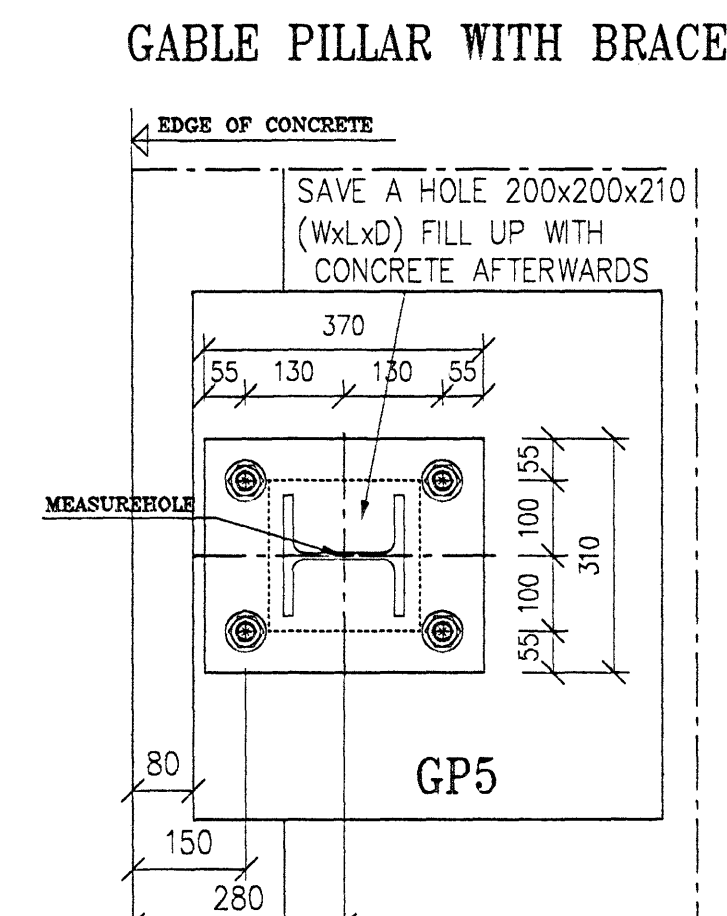
H-H 1:10



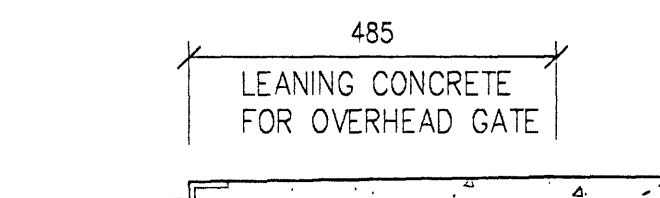
I-I 1:10



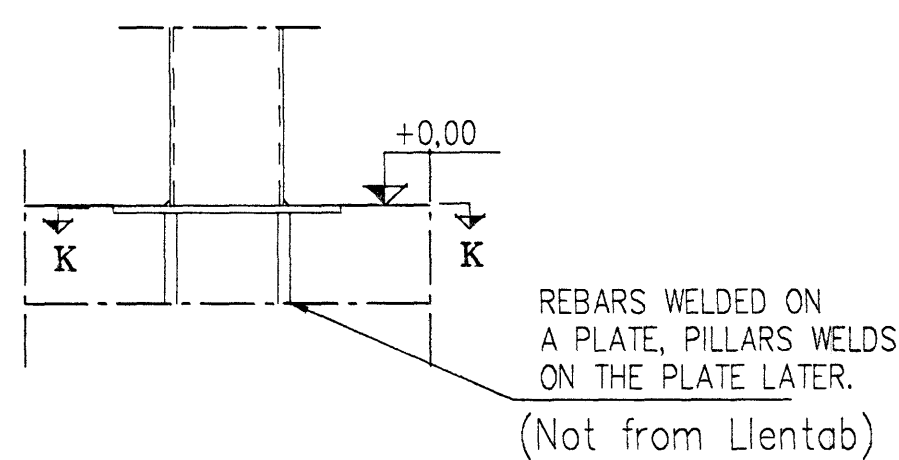
J-J 1:10



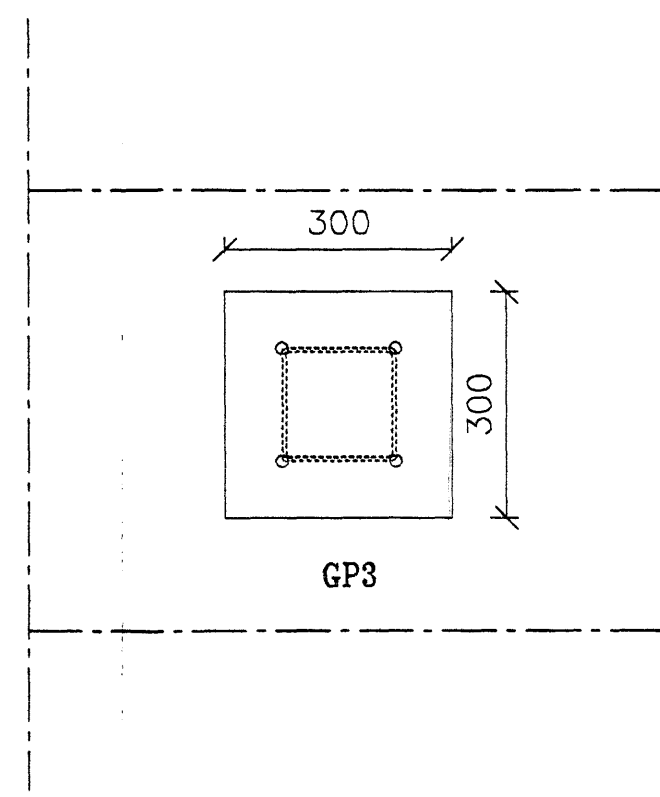
K-K 1:10



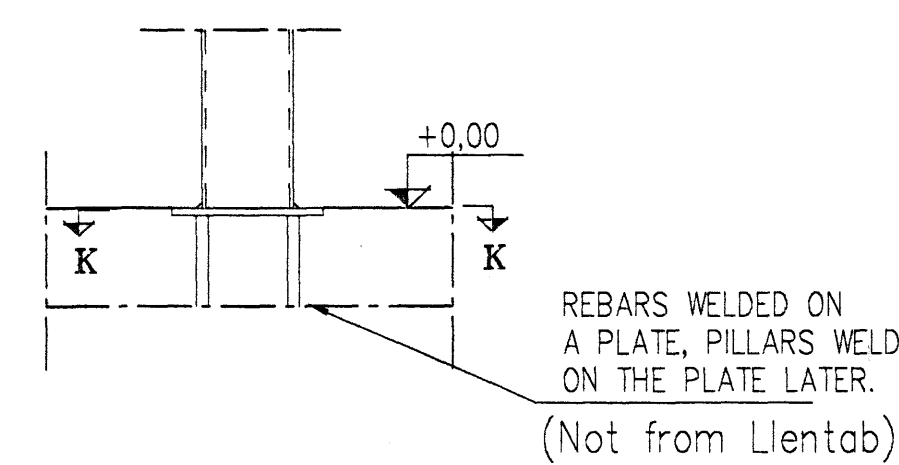
M-M 1:10



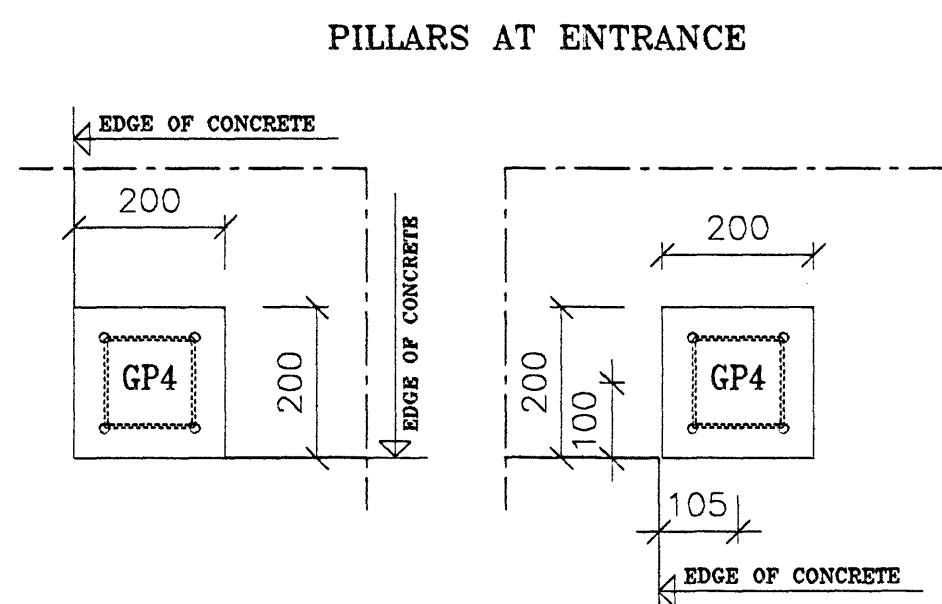
L-L 1:10



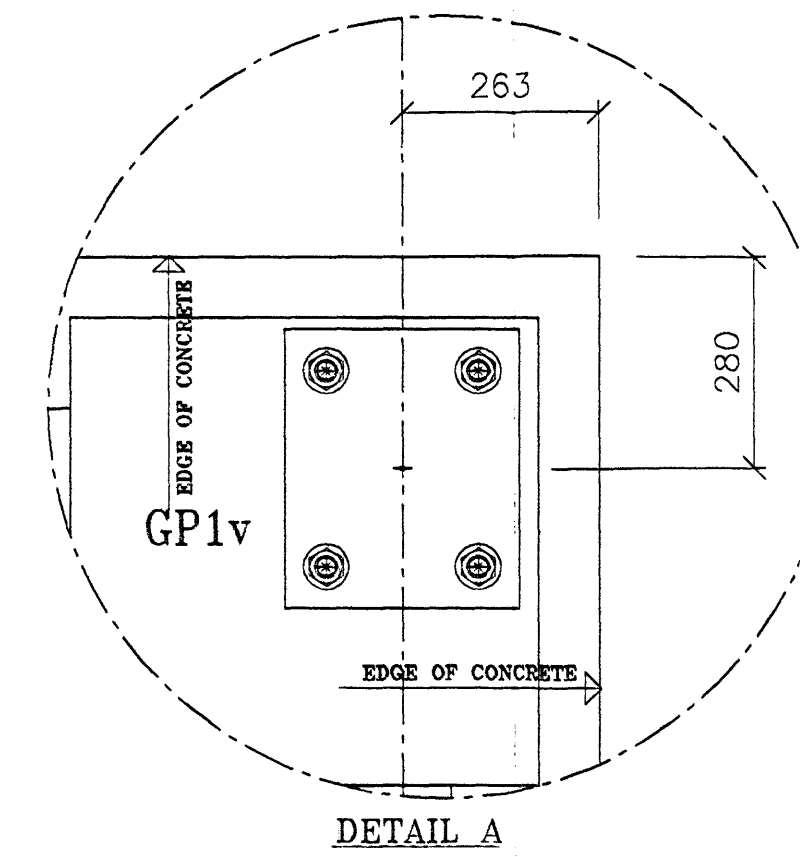
M-M 1:10



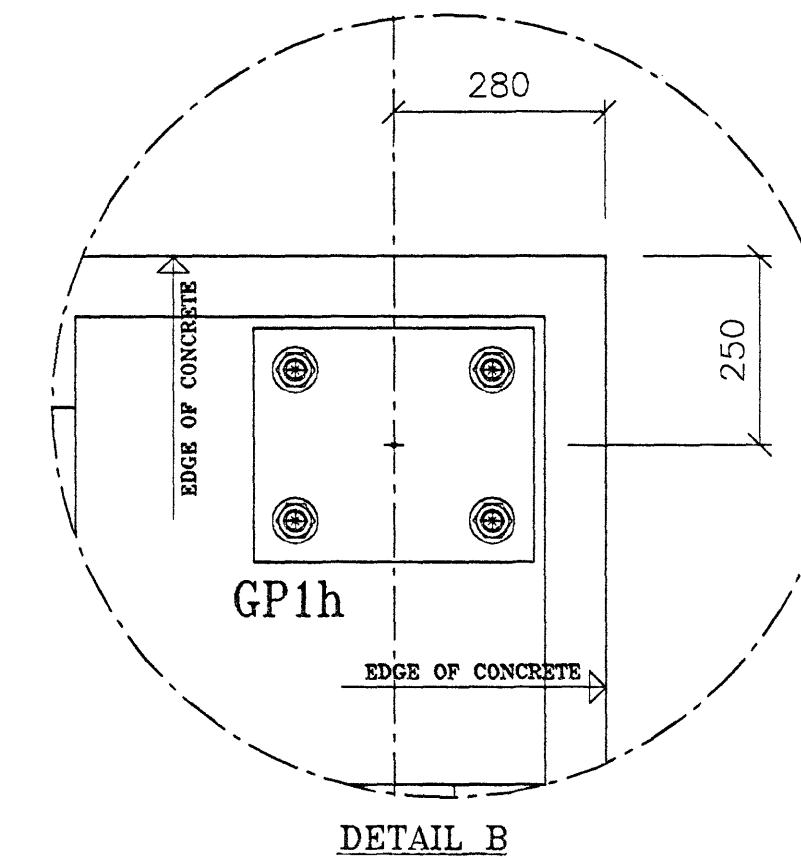
N-N 1:10



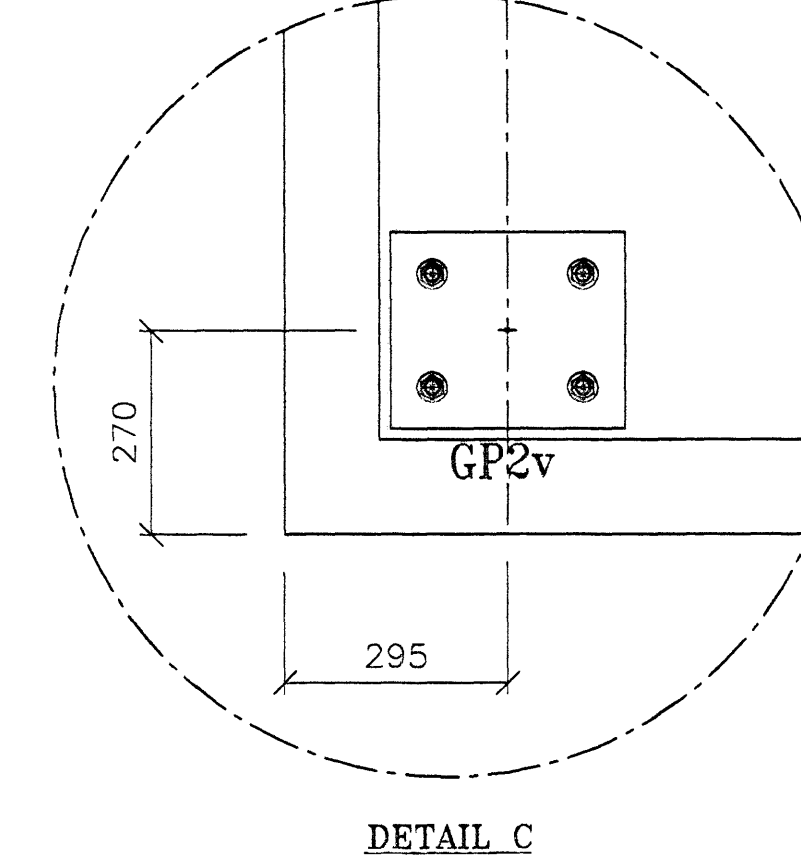
P-P 1:10



DETAIL A

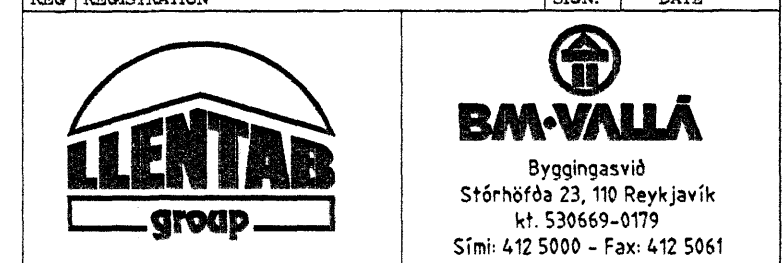


DETAIL B



DETAIL C

ARTUR SAMBLYKT BANN		DATE
ARTUR SAMBLYKT BANN		2008-05-28
ARTUR SAMBLYKT BANN		
D DETAIL M-M	TNI	08-06-24
C DETAIL J-J/K-K	TNI	08-06-23
B DETAIL H-H	TNI	08-06-12
A CONCRETE PLINTH/PILLARS MOVED UP	TNI	08-06-09
REG REGISTRATION	SIGN	DATE



BUILDER Alfheila 12-14
LOCATION Hafnarfirði

PROJECT NUMBER 150008
DATE 2008-05-28
SALESMAN Pjetur Guðrafsson
DESIGNER Tommy Nilsson

GROUND DETAILS

SCALE 1:100 DRAWING NUMBER G-IS0008-2 REG D