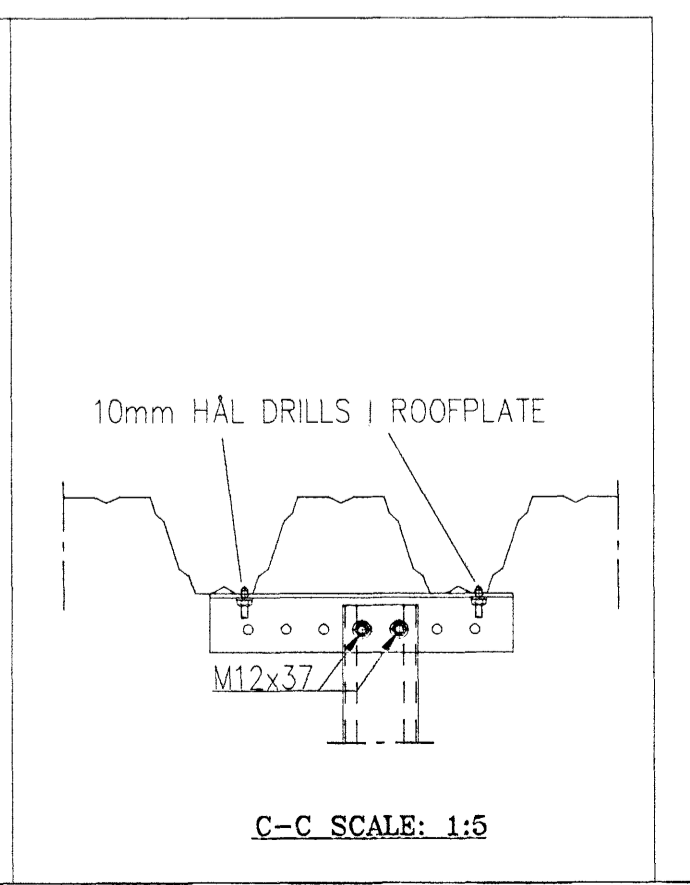
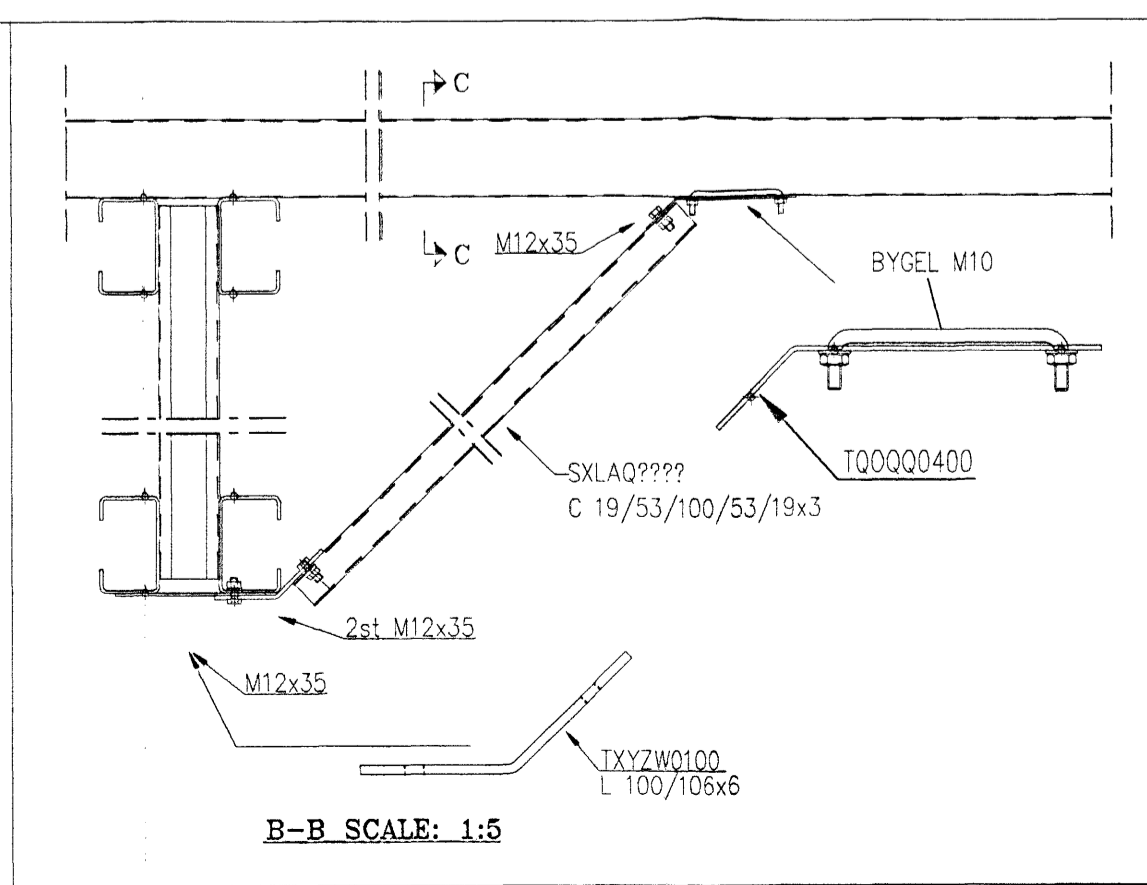
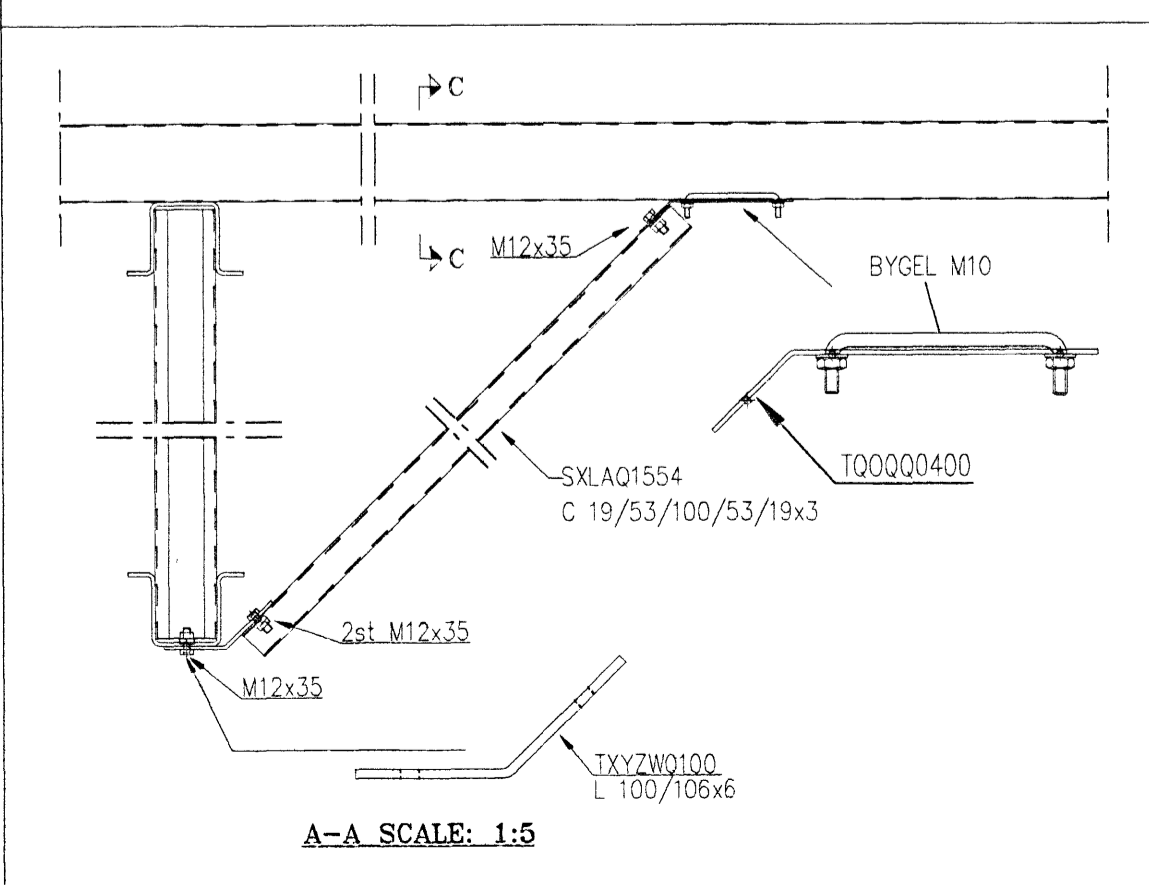
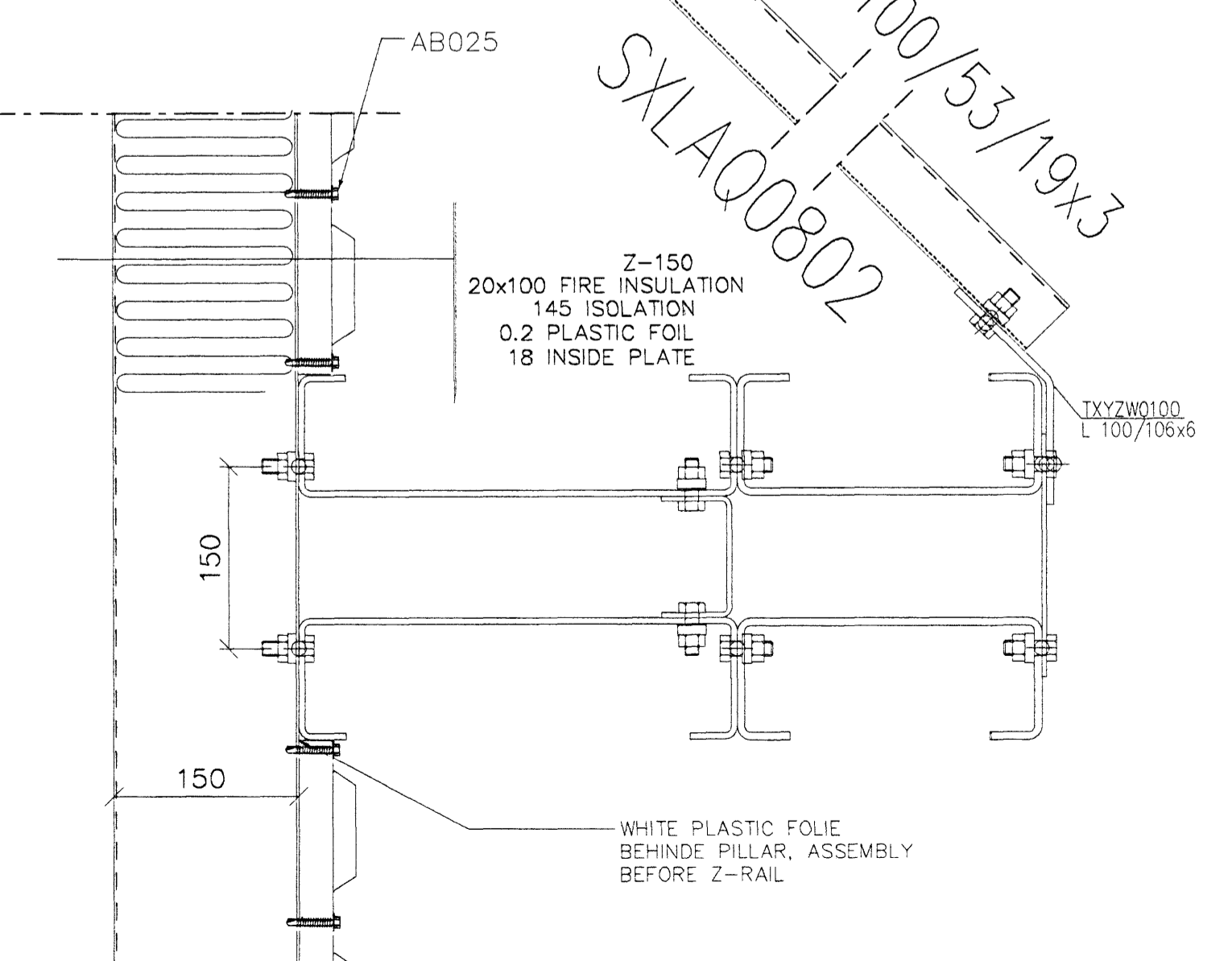
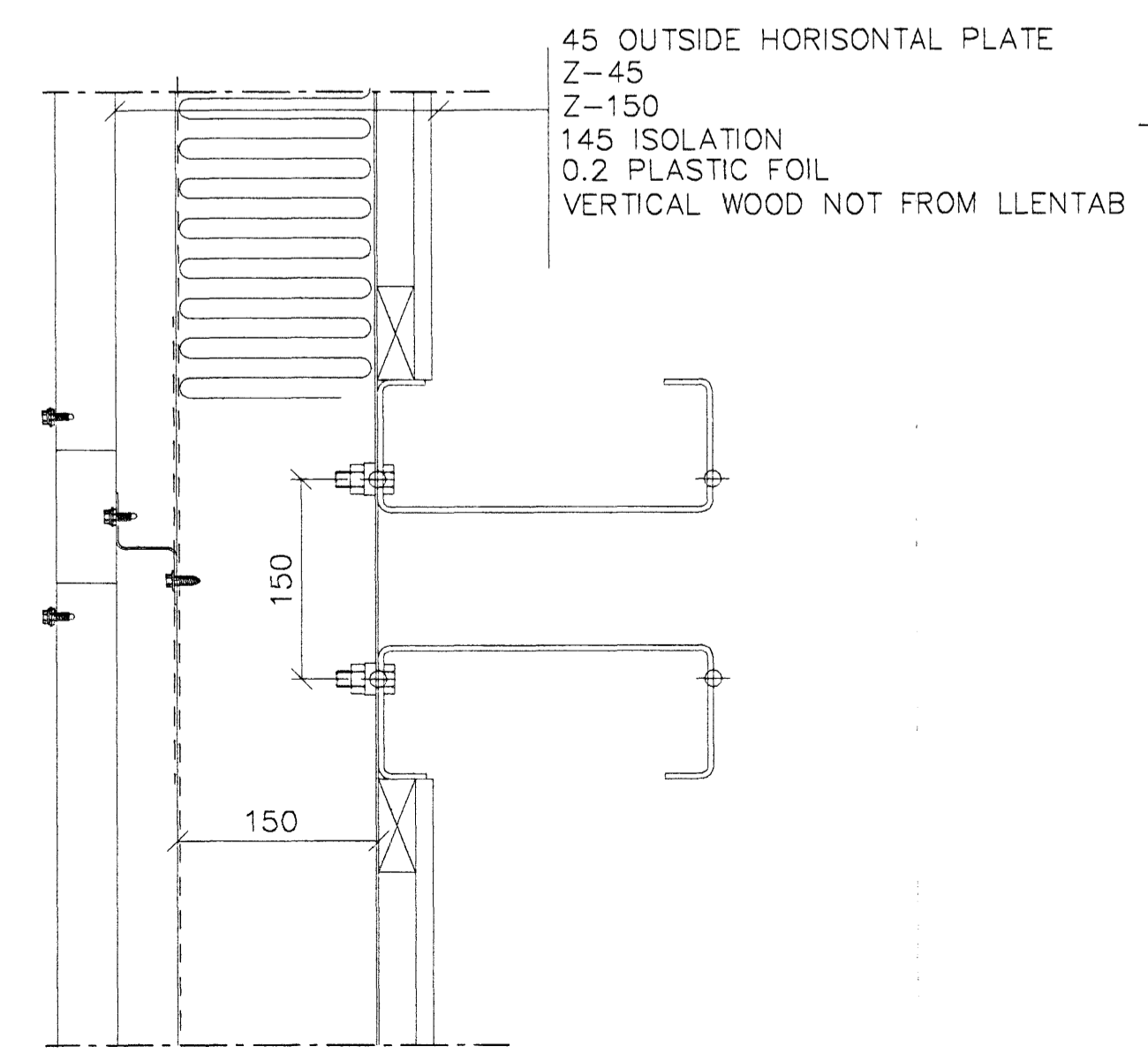
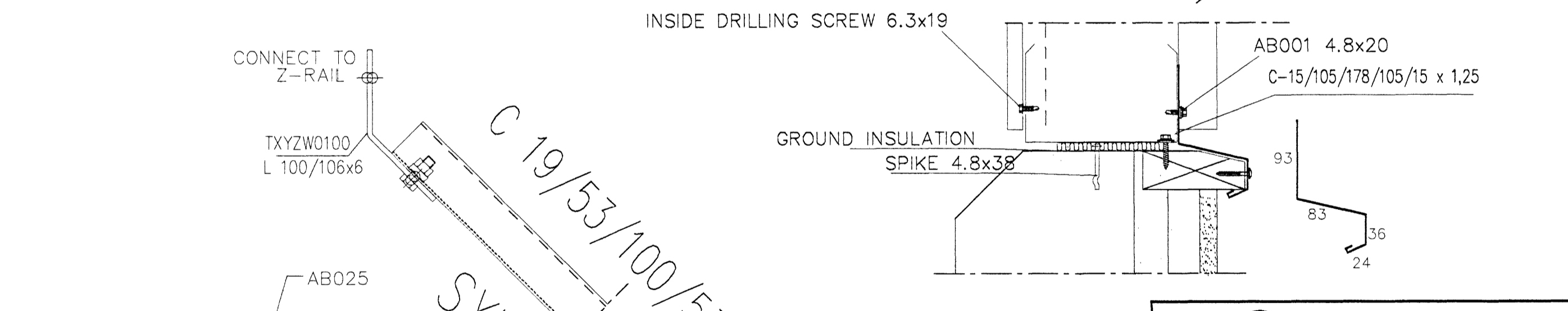
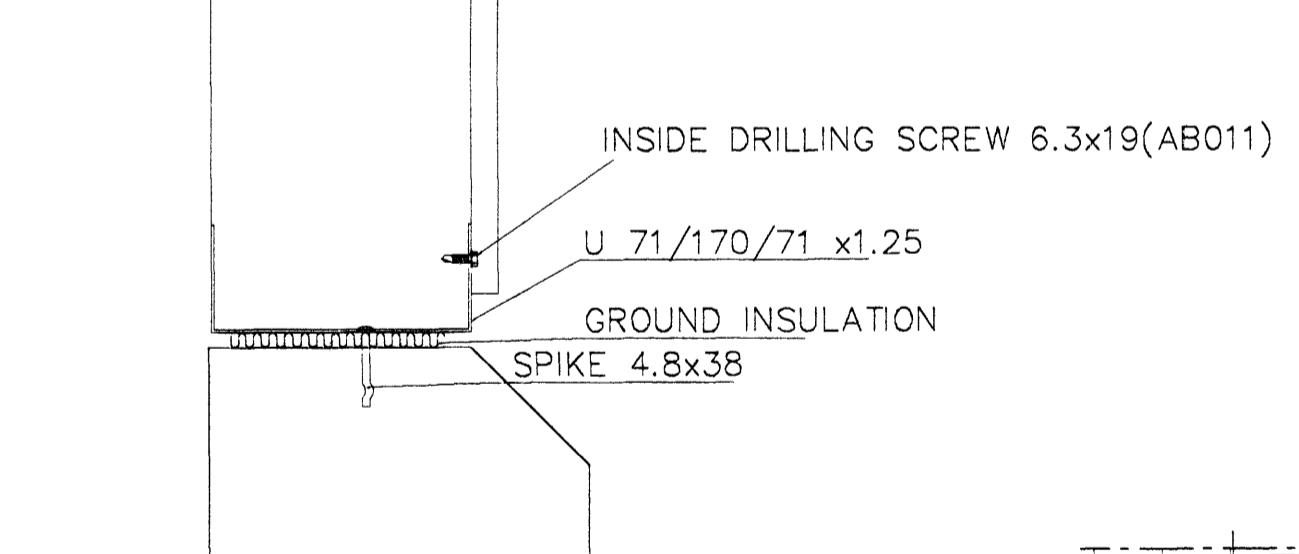
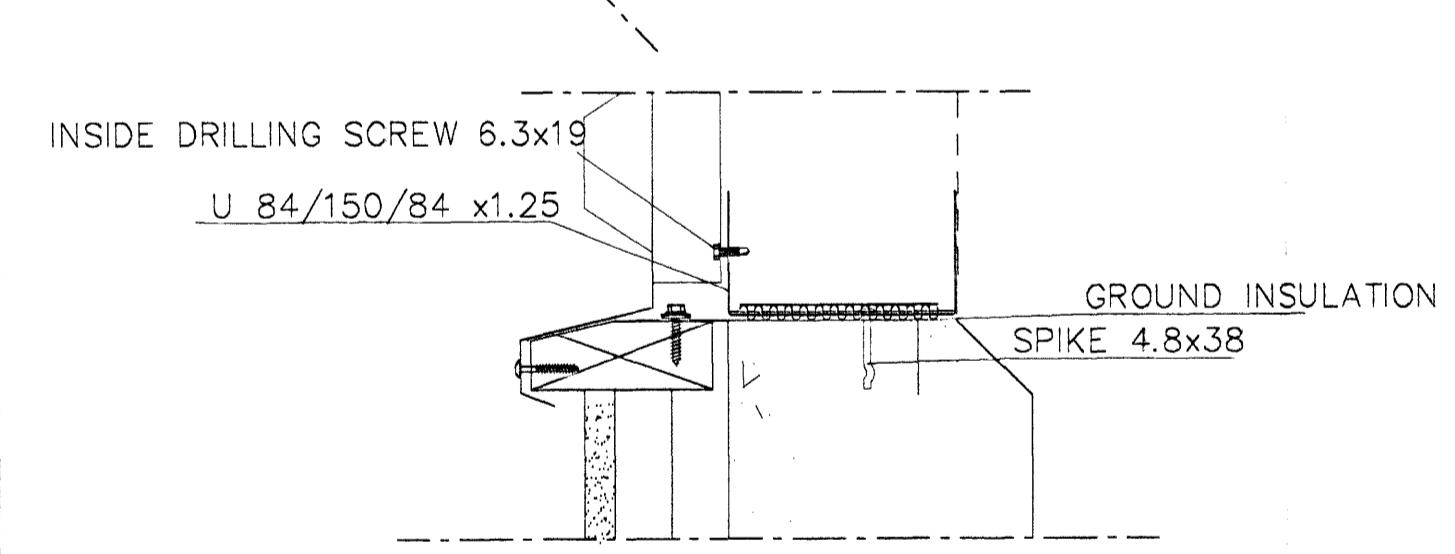
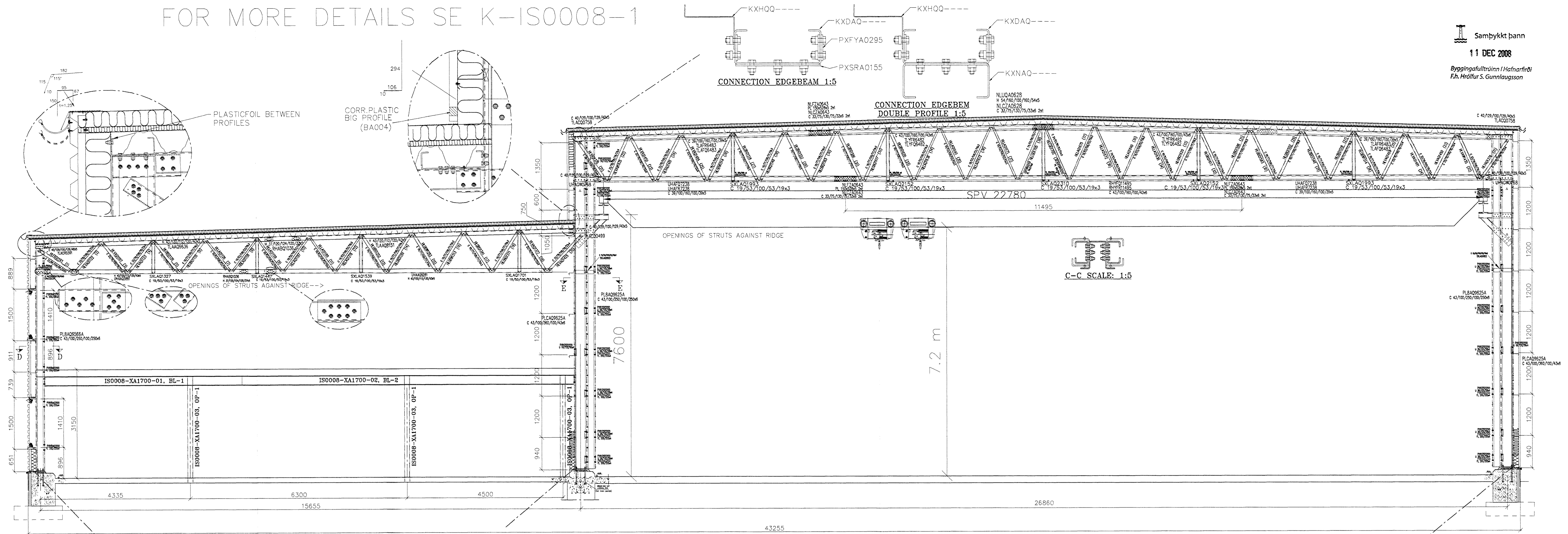


FOR MORE DETAILS SE K-IS0008-1

Sambýkt bann

11 DEC 2008

Byggingafultrúinn í Hafnarfirði  
Fh. Hrólfur S. Gunnlaugsson



Tekniðeild  
Stórhéðra 23, 112 Reykjavík  
t: 530669-0179  
Sími: 472 5000

**BM-VALLÁ**  
ARITUN HÖNNUÐAR  
ARITUN SAMRÆMINGAR HÖNNUÐAR

C DETAIL E-E/F-F/G-G	TNI	08-09-17
B NEW DETAILS, SCREWS	TNI	08-09-11
A FLASHINGS, DETAILS	TNI	08-08-25
REG. REGISTRATION	SIKJ	DATE

LLENTAB AB  
BOX 104  
S-144 83 KUNGSHEM  
TEL. +46 023 78000  
FAX. +46 023 78049  
WWW.LLENTAB.SE



BUILDER Álfréttir 12-14  
LOCATION Hafnarfirði

PROJECT NUMBER 08-07-04  
DATE 08-07-04  
DESIGNER Tommy Nilsson

SECTION LINE 3,4  
SCALE 1:50  
DRAWING NUMBER K-IS0008-1B  
REG C