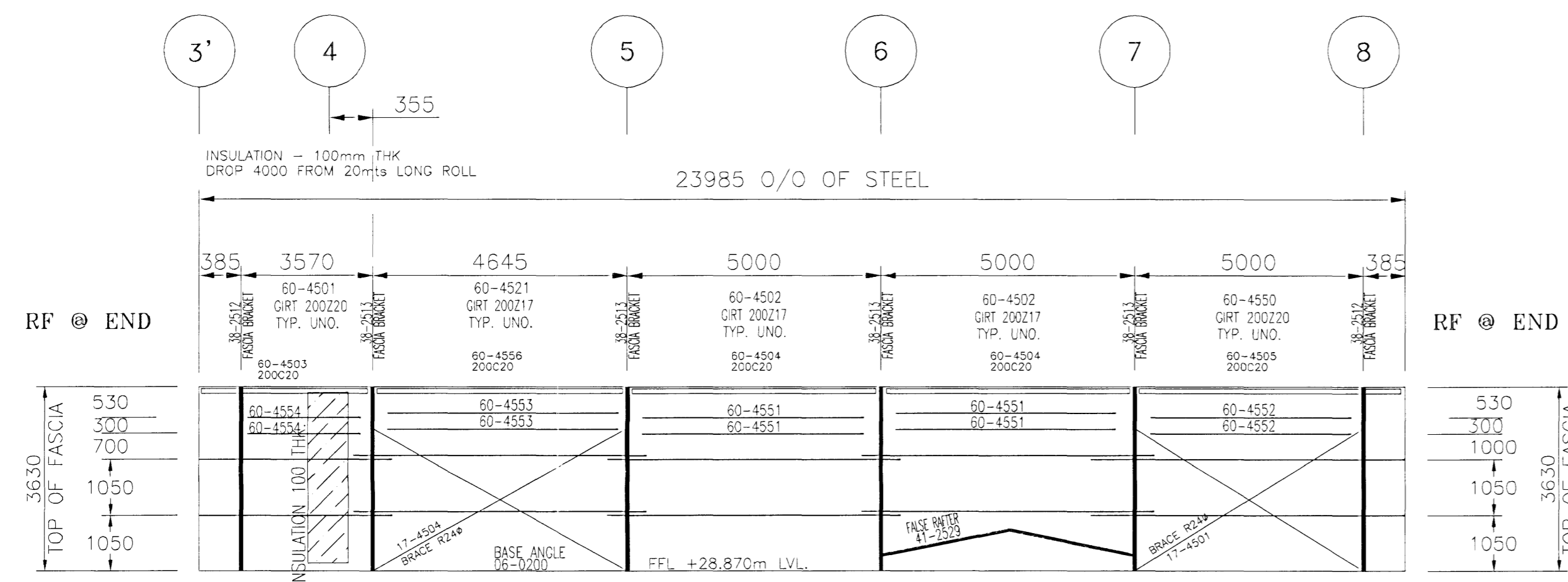
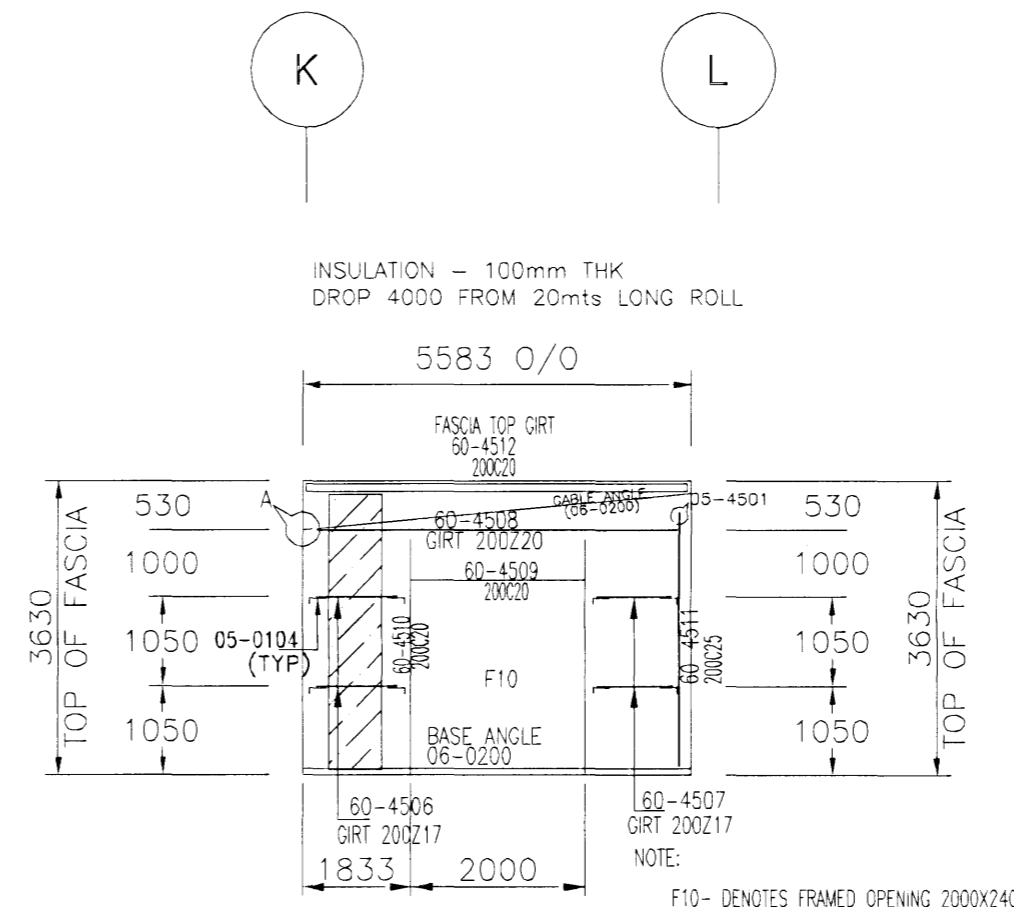


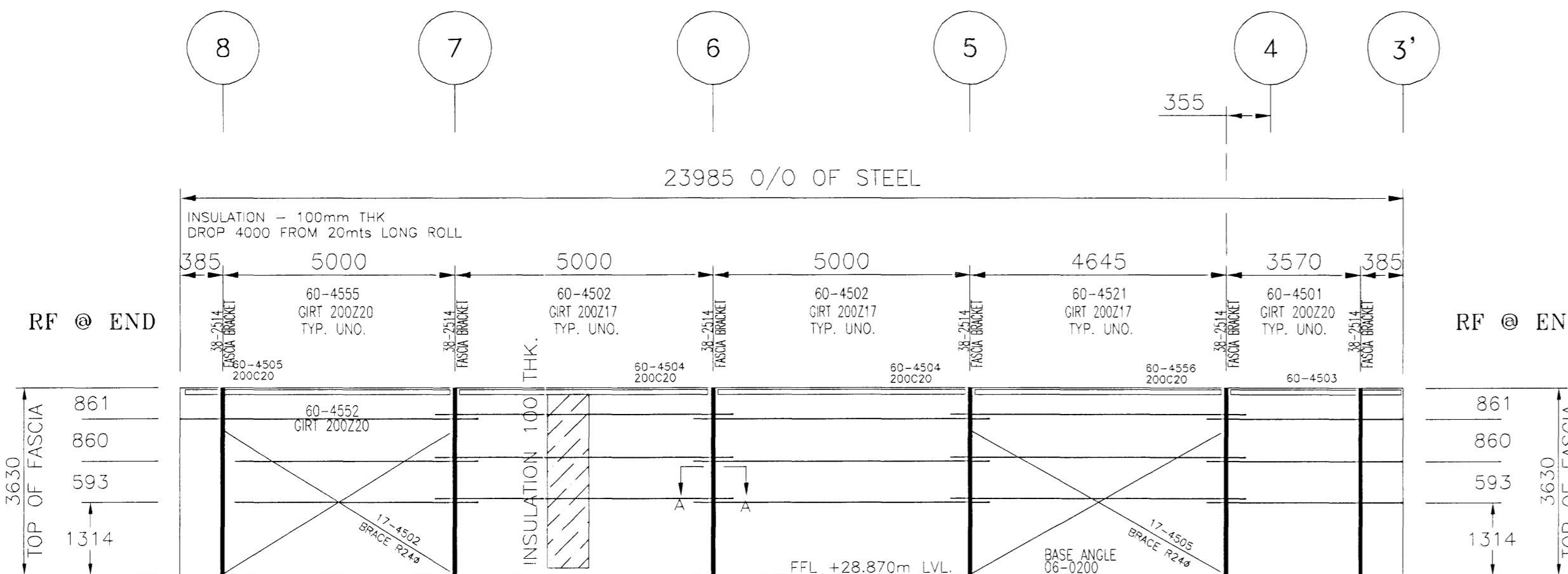
MONOSLOPE AREA PLAN



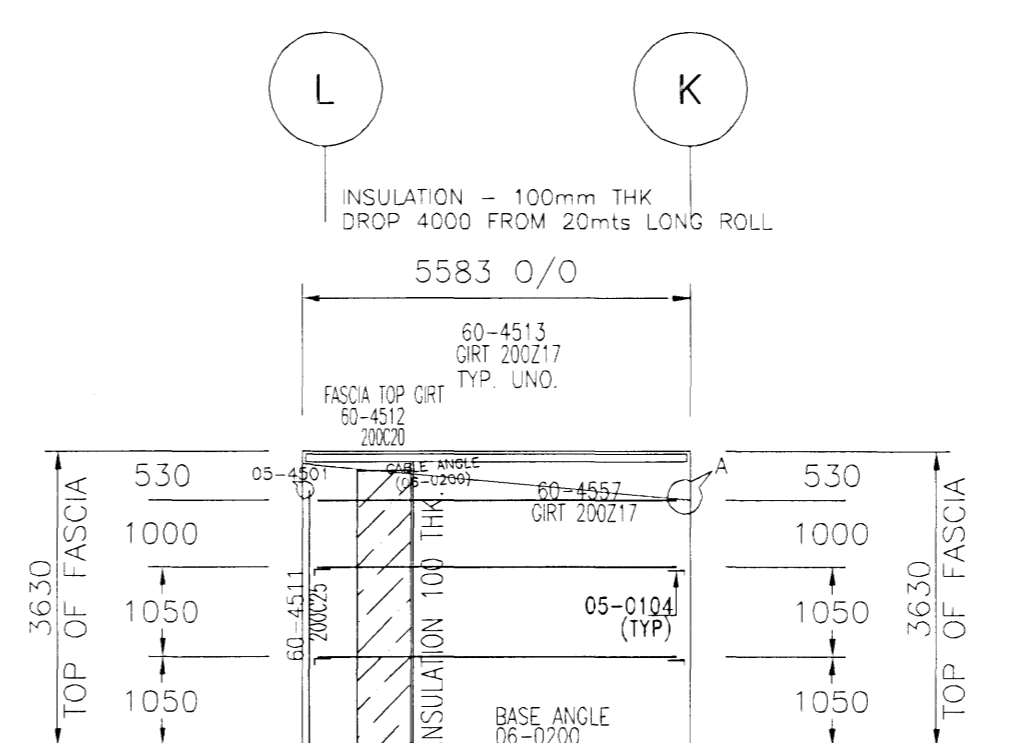
NEARSIDEWALL FRAMING ELEVATION AT GL-K



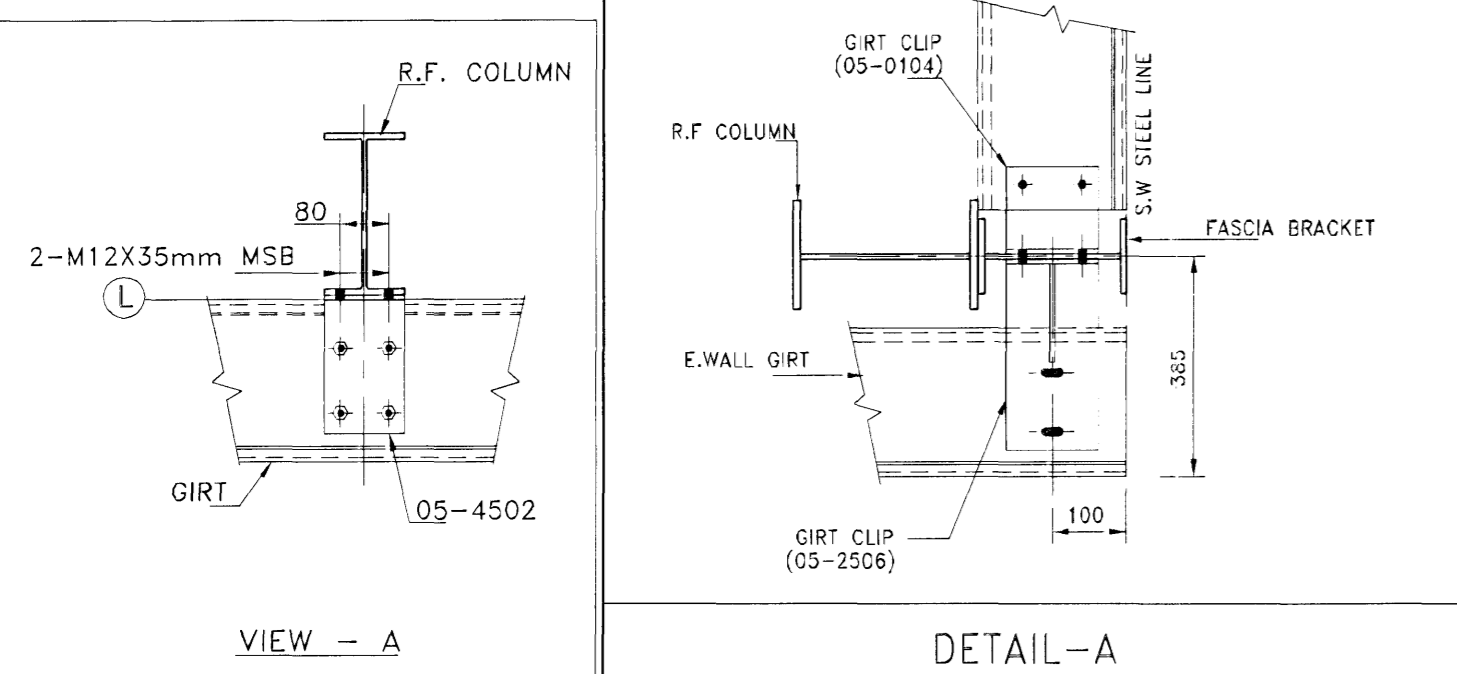
ENDWALL FRAMING ELEVATION AT GL-8



FARSIDEWALL FRAMING ELEVATION AT GL-L



ENDWALL FRAMING ELEVATION AT GL-3



VST Verkefni Sigurðar Thorodsson hf.
 Eft. VST hf. Hjalmarsson

26. maí 2008
 Heiti veit. Hauvöðsson

NO.	DATE	DESCRIPTION	DRN	CHK	DSN
2	20.03.2008	ISSUED FOR CONSTRUCTION	NSK	TPS	IPC
1	24.11.2007	RE-ISSUED FOR APPROVAL	MGK	VRA	IPC
0	26.10.2007	ISSUED FOR APPROVAL	KRT	VRA	IPC

ZAMIL STEEL ENGINEERING DEPARTMENT

ZS JOB NO. : V7-D567	BUILDING NO. : 01
PROJECT NAME : HEDINN HOUSE	
CUSTOMER : HEDINN	
JOBSITE LOCATION : HAFNAFIRDI, ICELAND	
DRAWING TITLE : MONOSLOPE FRAMING DETAILS	DRAWING NO. : E40