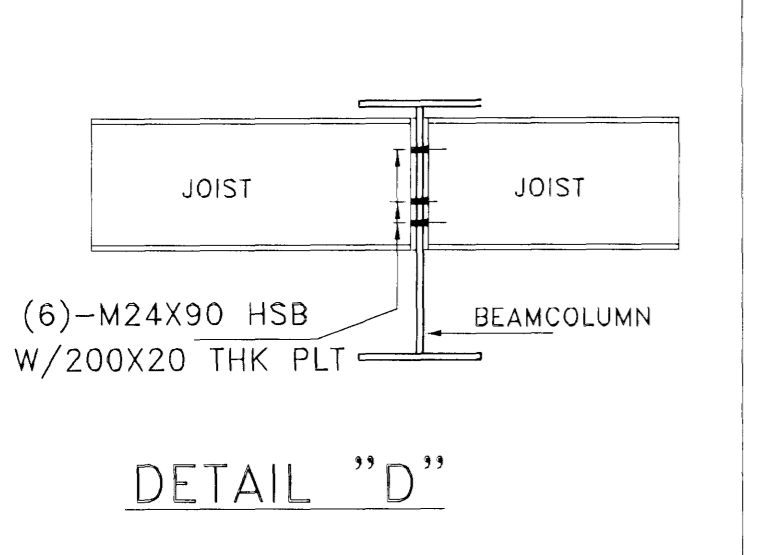


M E Z Z A N I N E P L A N



- ⊗
EM : DENOTES ERECTION MARK
- ⊥ : DENOTES MEZZ COLUMN
- MJ : DENOTES MEZZ JOIST
- MB : DENOTES MEZZ BEAM
- \$: PROVIDED END PLATE CONNECTION FOR FULL DEPTH OF THE BEAM

ASK
 26. maí 2008
 Hrólfur S. Gunnlaugsson
VST Verkfæðistofa
 Sigurðar Thorvaldsson hf.
 E.h. VST hf., Högveit Husson 1509164929

NO.	DATE	DESCRIPTION	DRN	CHK	DSN
2	20.03.2008	ISSUED FOR CONSTRUCTION	NSK	TPS	IPC
1	24.11.2007	RE-ISSUED FOR APPROVAL	MGK	VRA	IPC
0	25.10.2007	ISSUED FOR APPROVAL	KRT	VRA	IPC

ZAMIL STEEL ENGINEERING DEPARTMENT

ZS JOB NO.	: V7-D567	BUILDING NO.:	O1
PROJECT NAME	: HEDINN HOUSE		
CUSTOMER	: HEDINN		
JOBSITE LOCATION	: HAFNAFIRDI, ICELAND		
DRAWING TITLE	: MEZZANINE PLAN	DRAWING NO.	E38