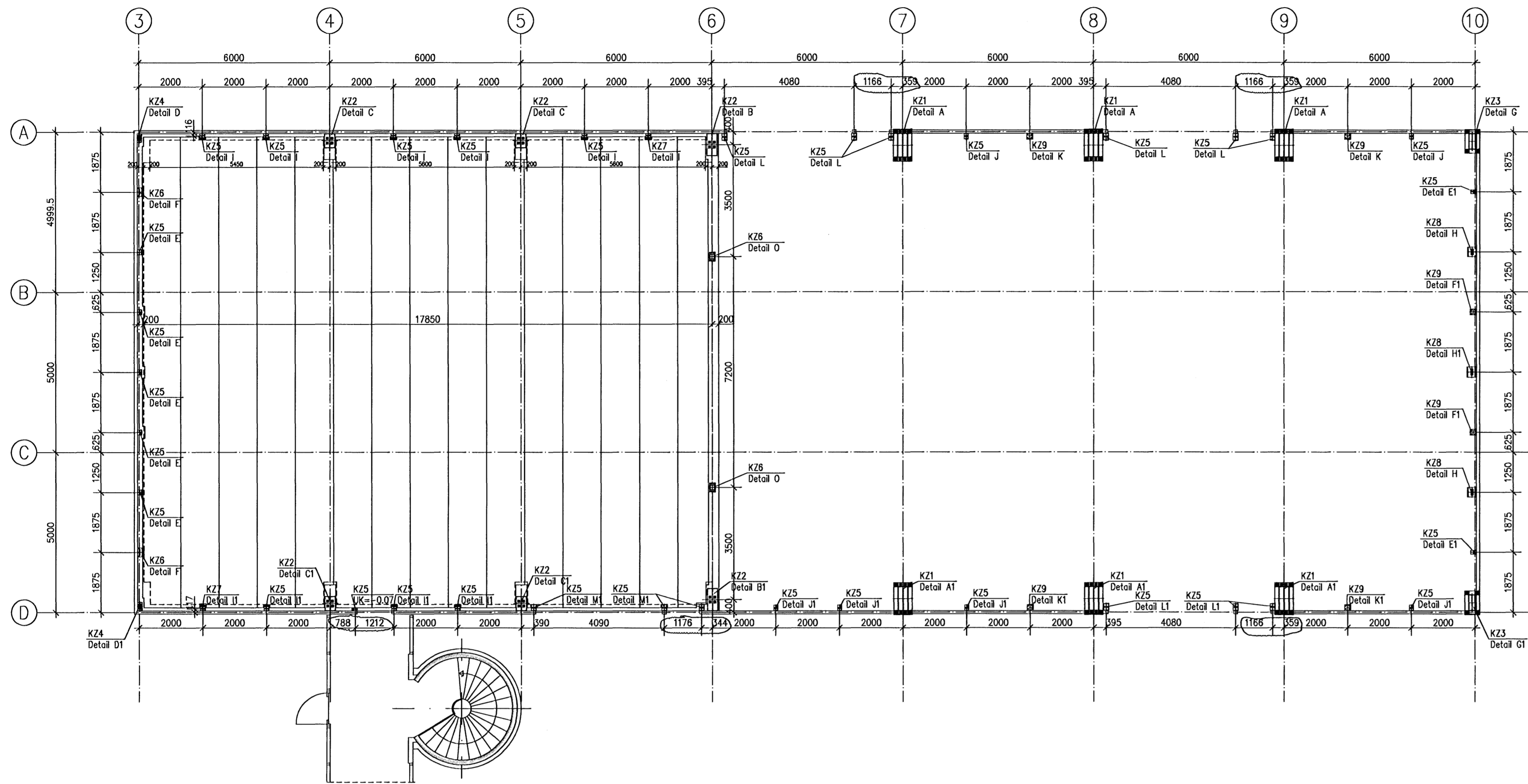
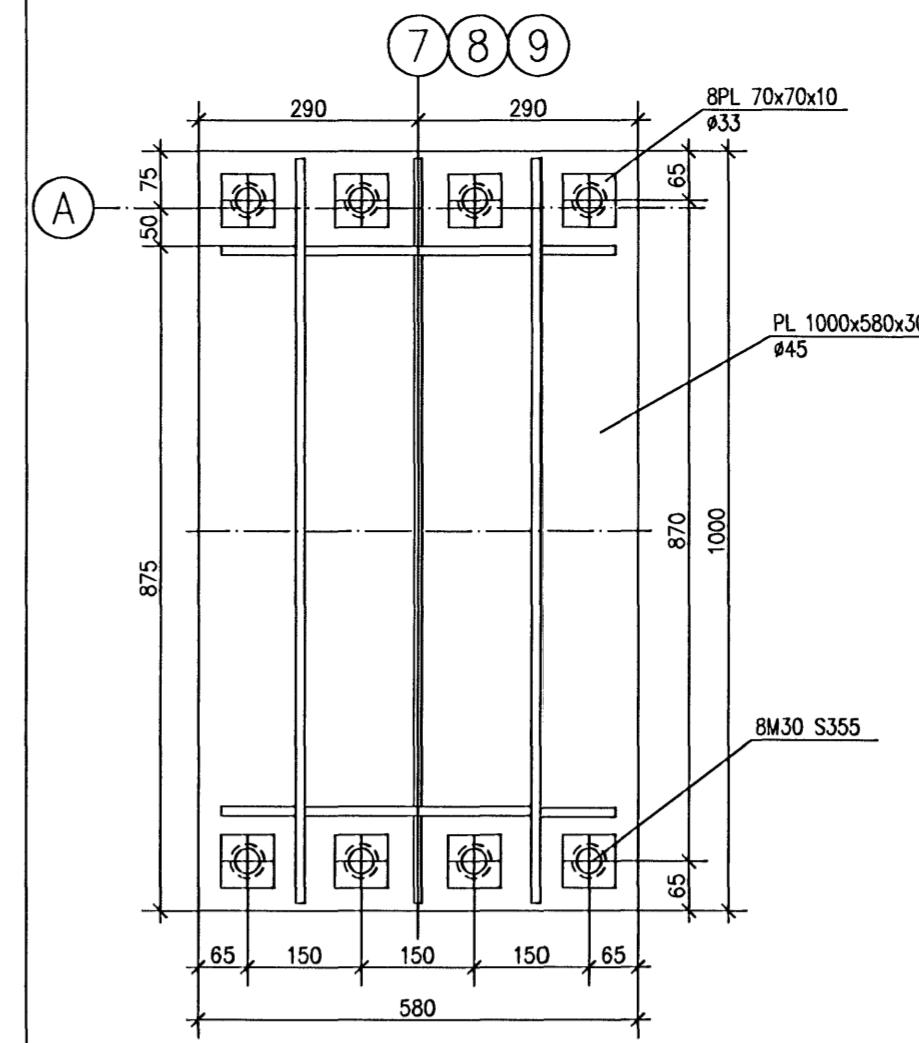


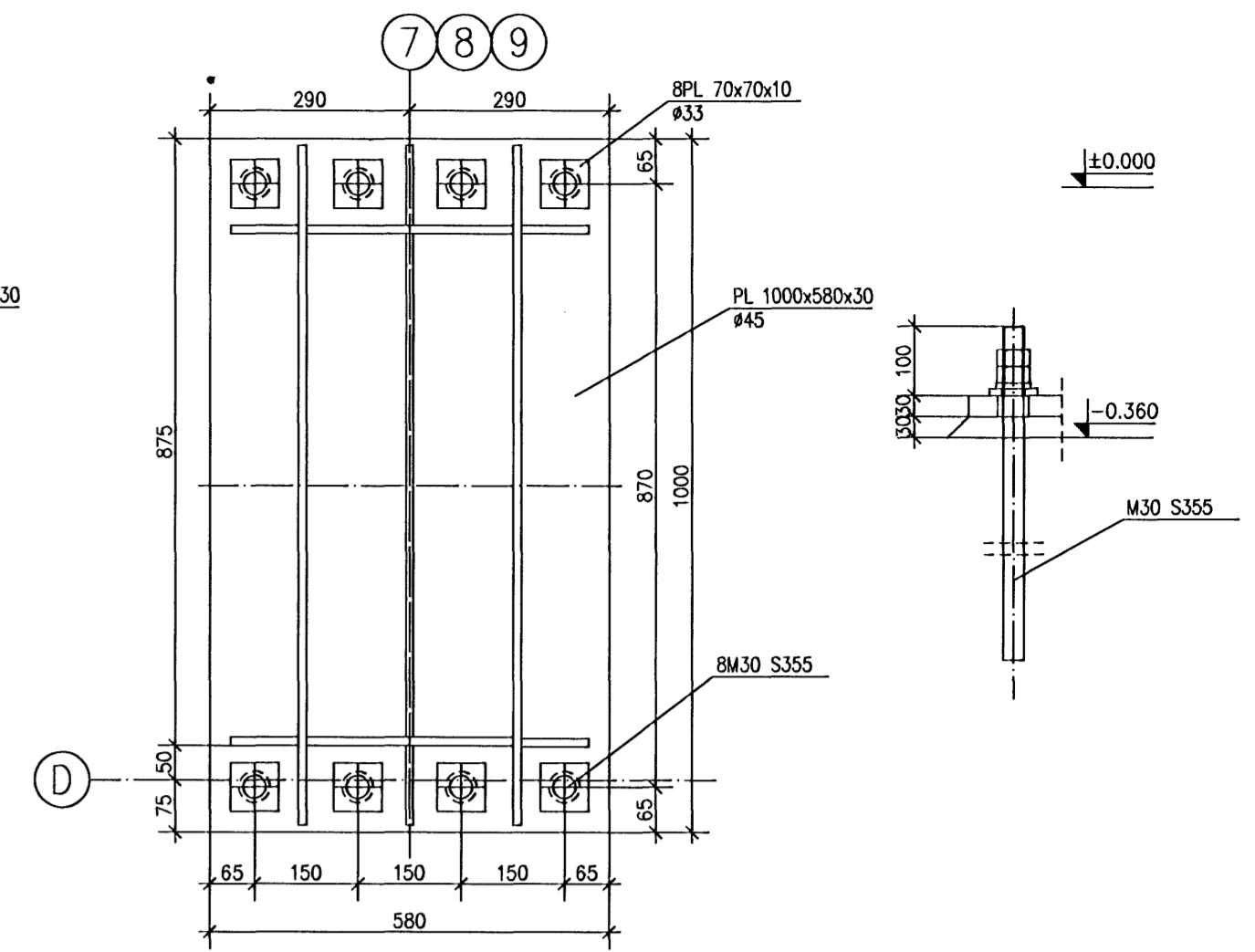
ANCHORS PLANE
SCALE 1:100



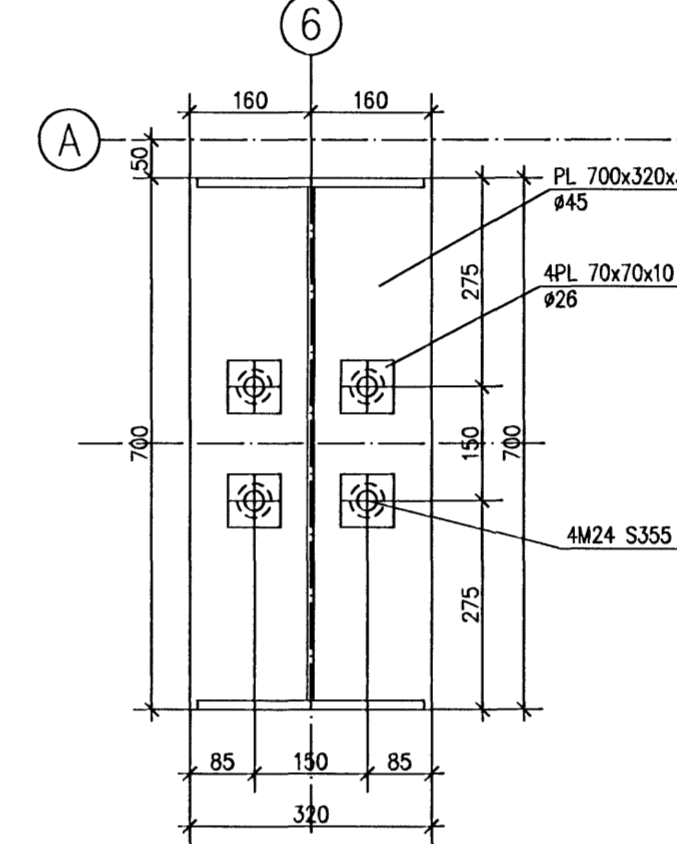
DETAIL A 1:10



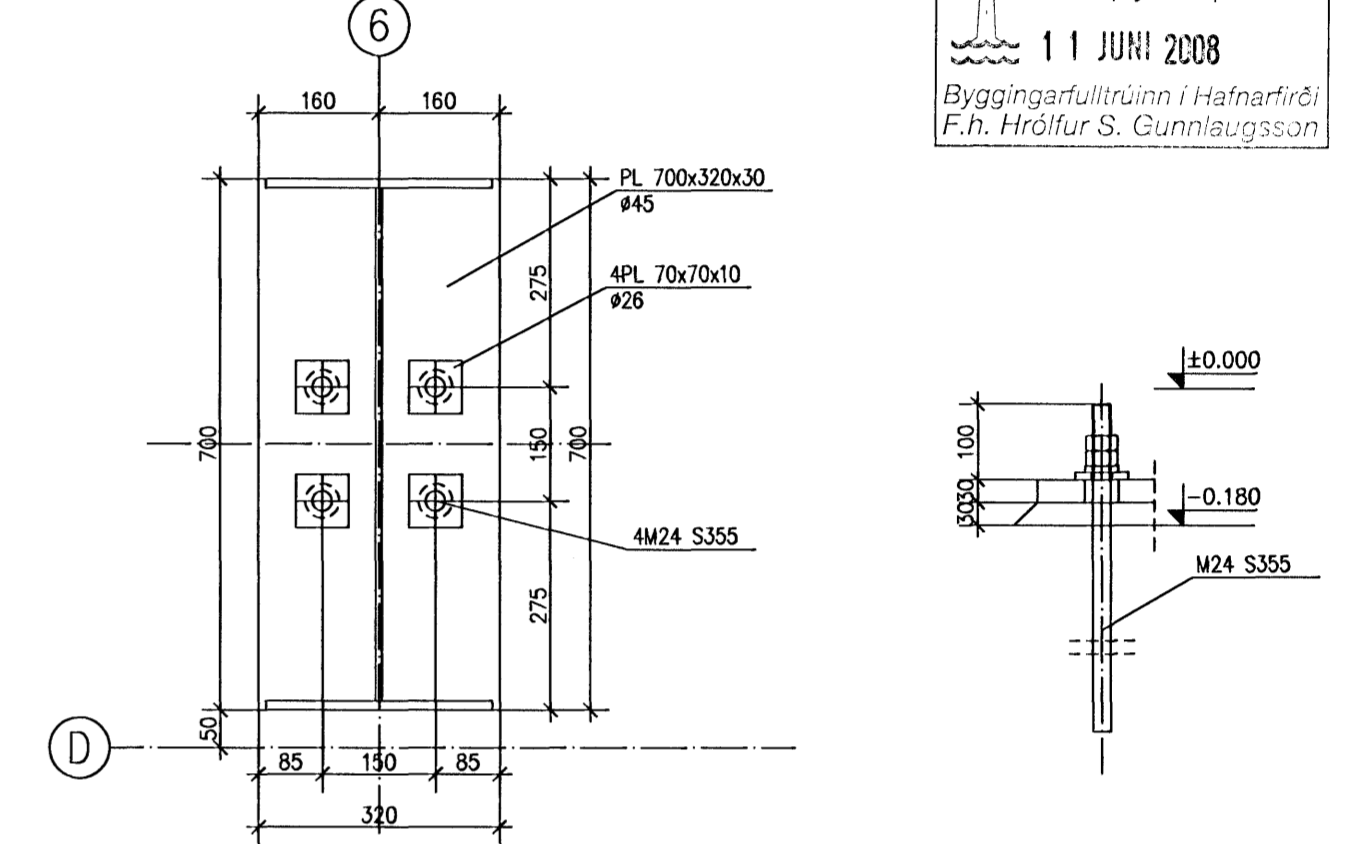
DETAIL A1 1:10



DETAIL B 1:10

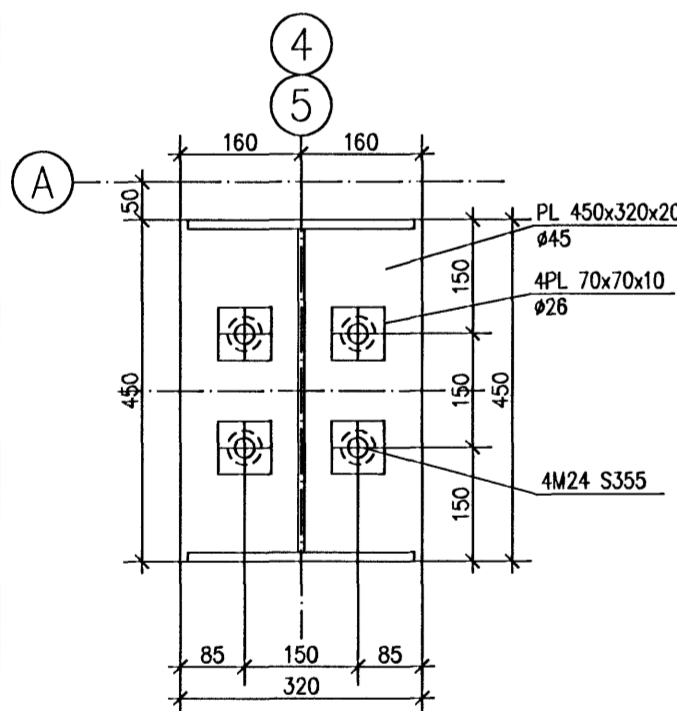


DETAIL B1 1:10

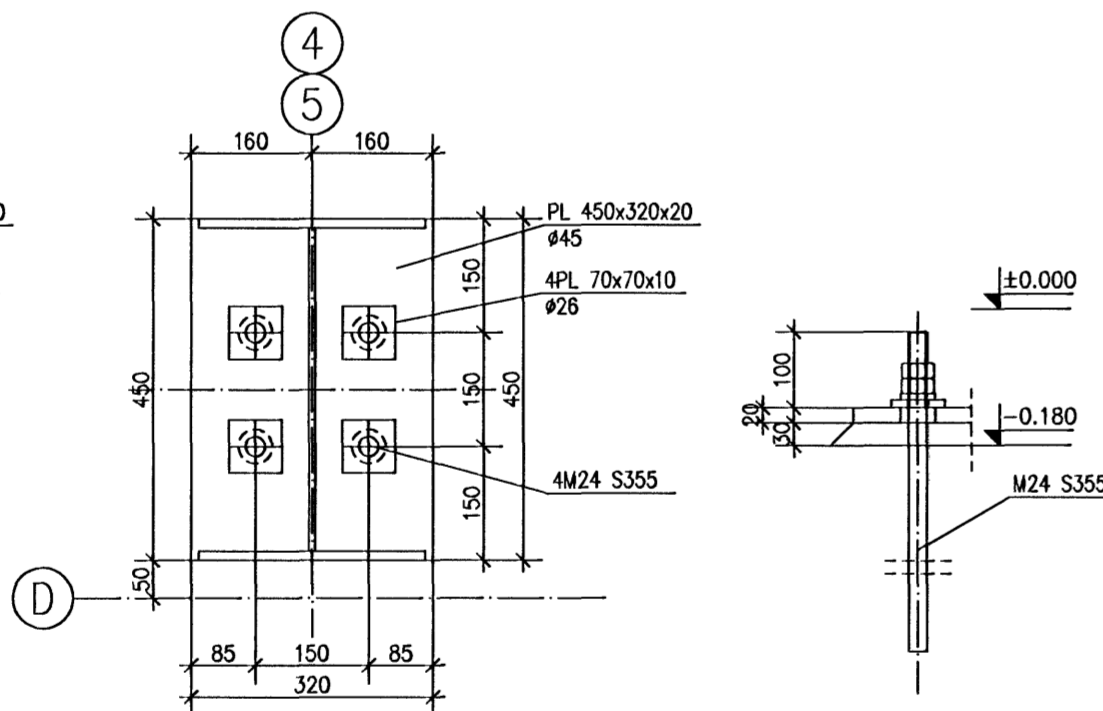


Samykkt þann
11 JUNI 2008
Byggingartillitunni í Hafnarvíði
F.h. Hrólfur S. Gunnlaugsson

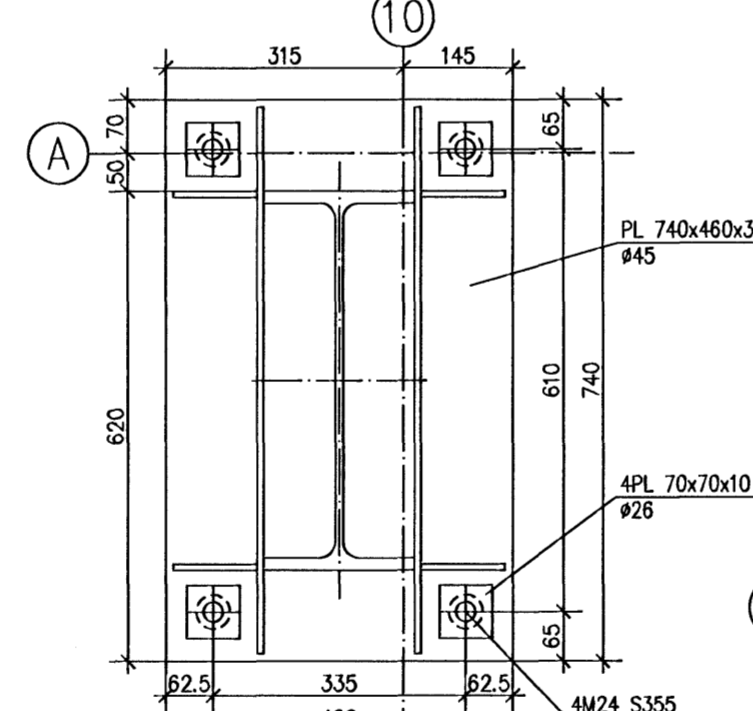
DETAIL C 1:10



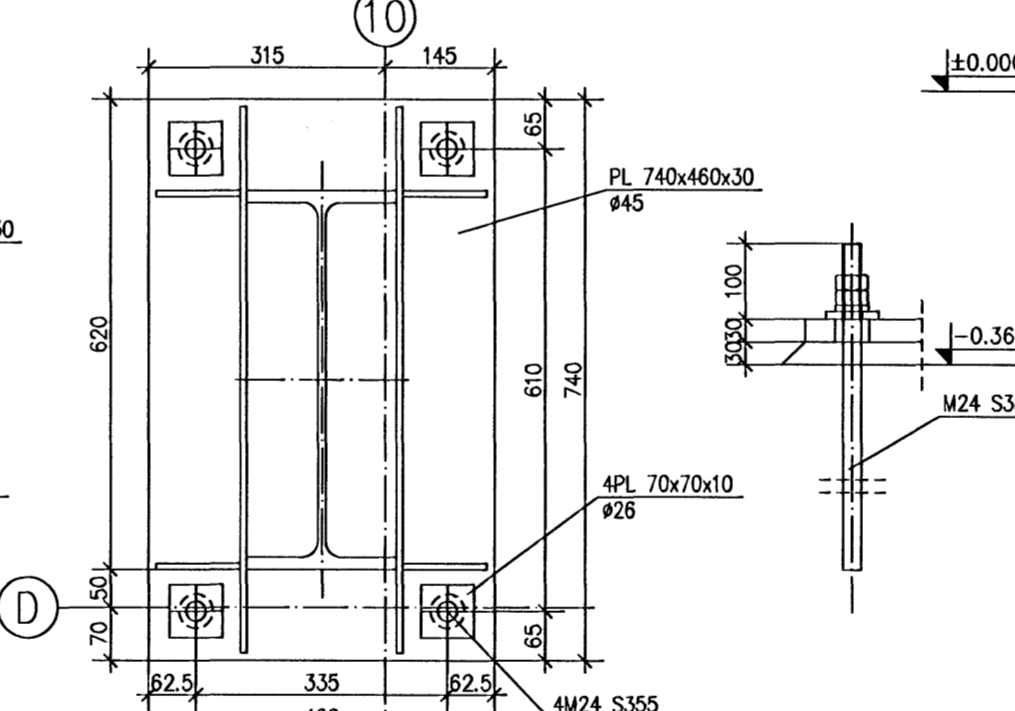
DETAIL C1 1:10



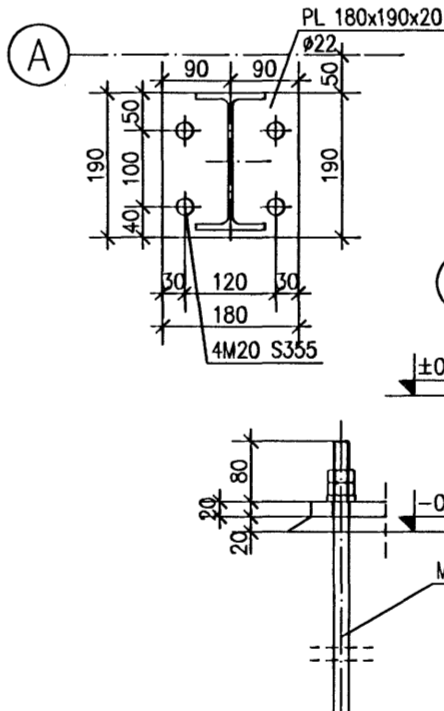
DETAIL G 1:10



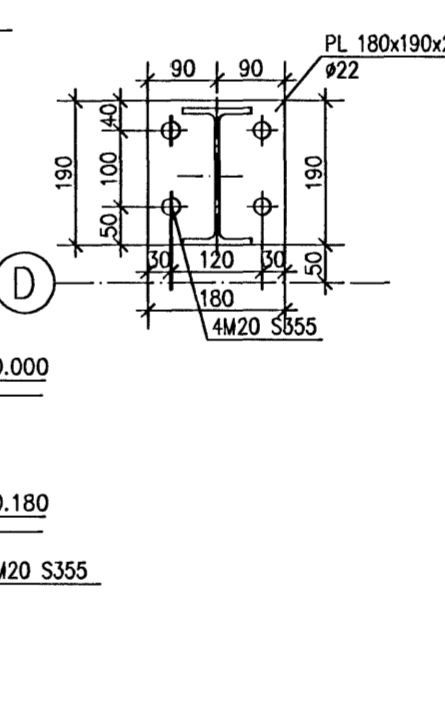
DETAIL G1 1:10



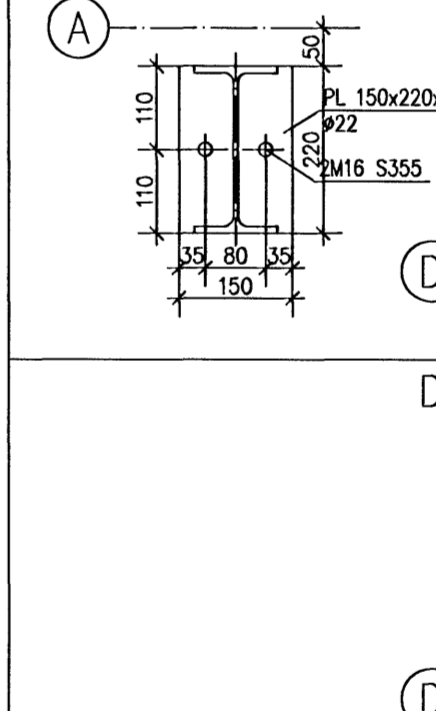
DETAIL K 1:10



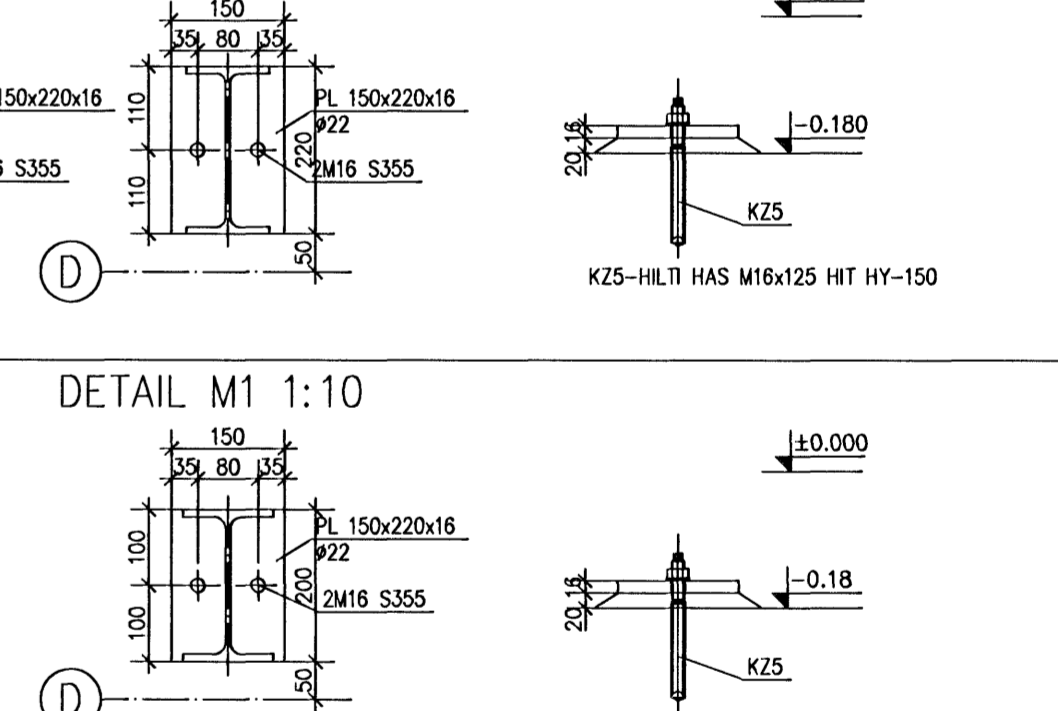
DETAIL K1 1:10



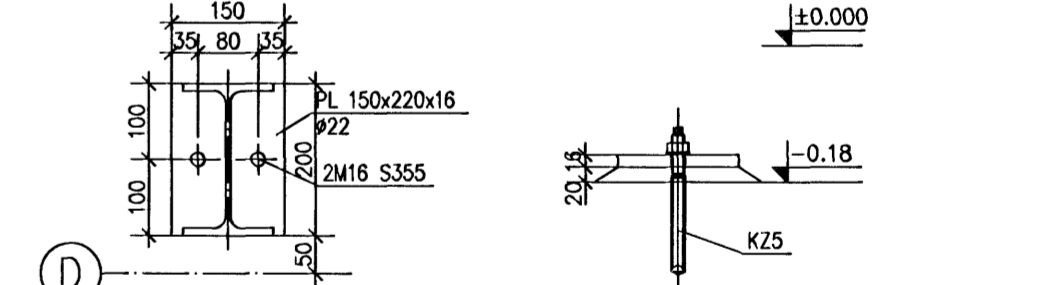
DETAIL L 1:10



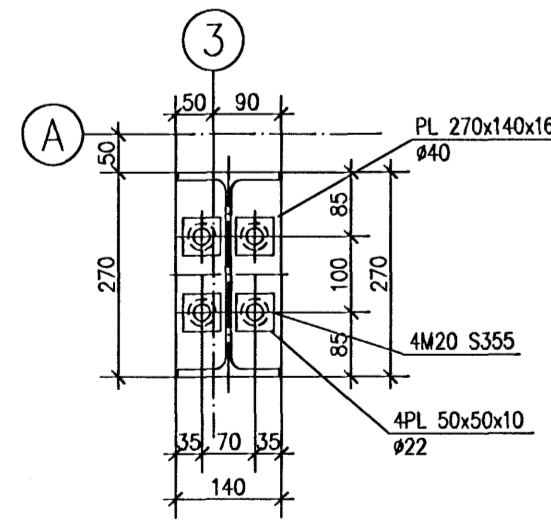
DETAIL L1 1:10



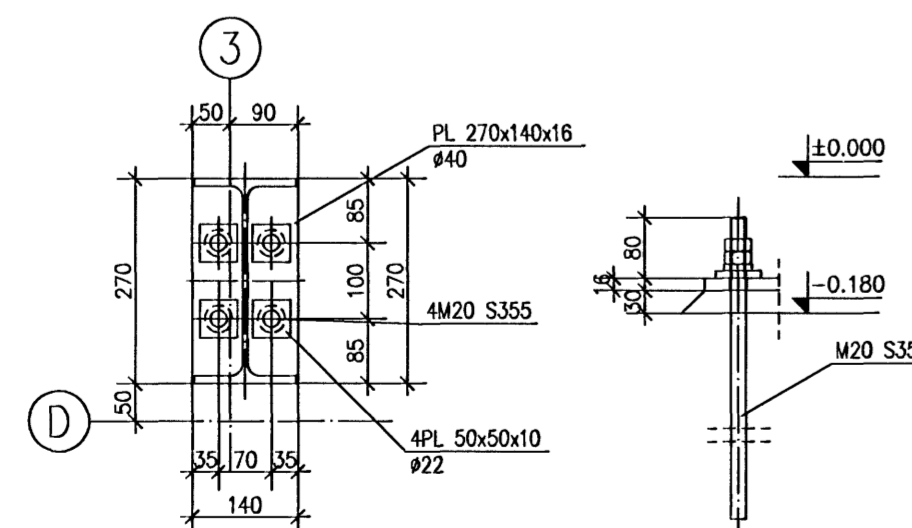
DETAIL M1 1:10



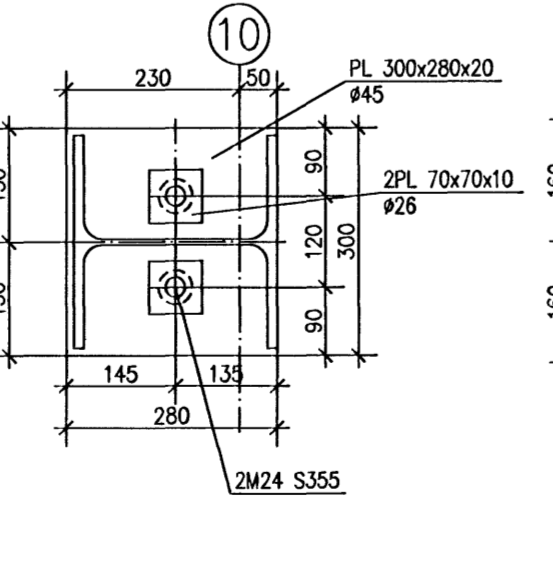
DETAIL D 1:10



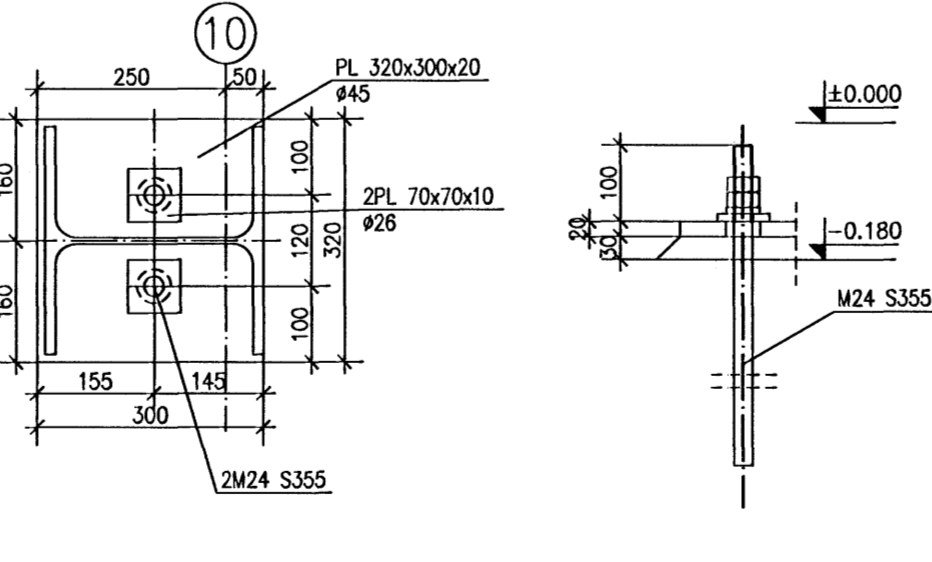
DETAIL D1 1:10



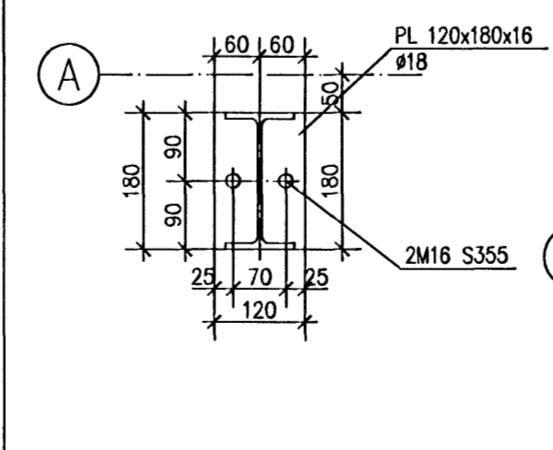
DETAIL H 1:10



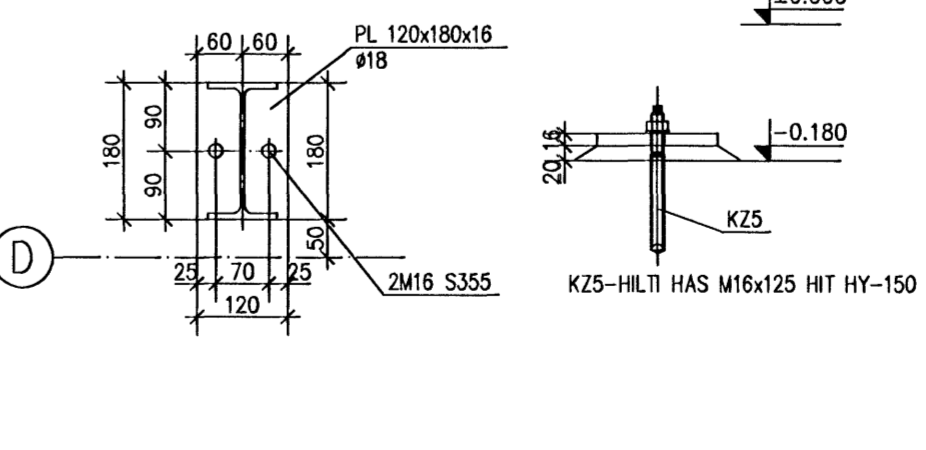
DETAIL H1 1:10



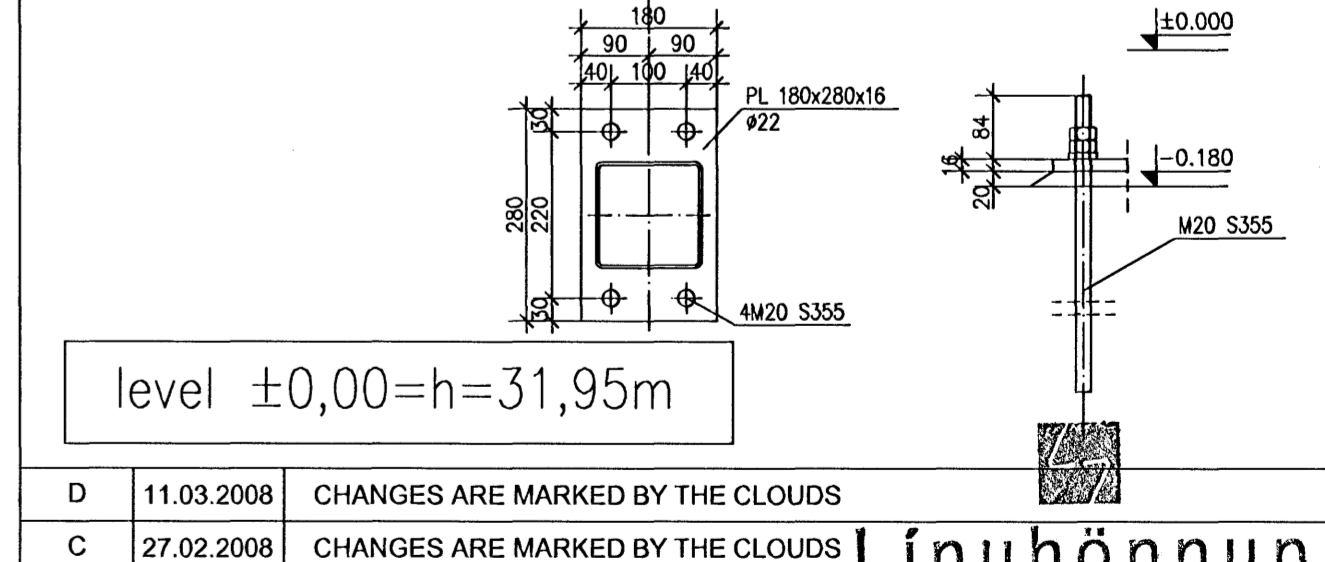
DETAIL J 1:10



DETAIL J1 1:10

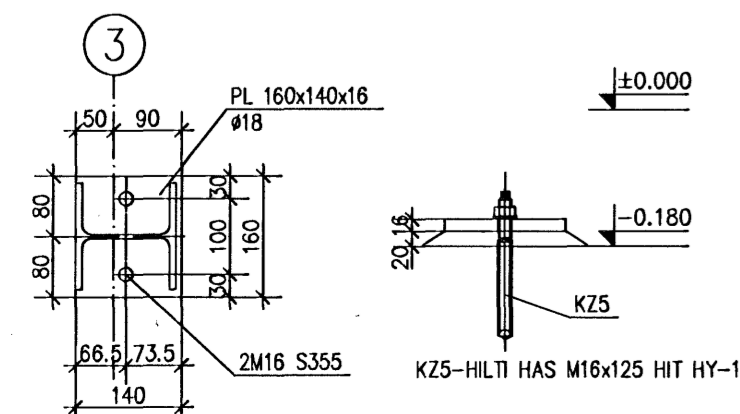


DETAIL O 1:10

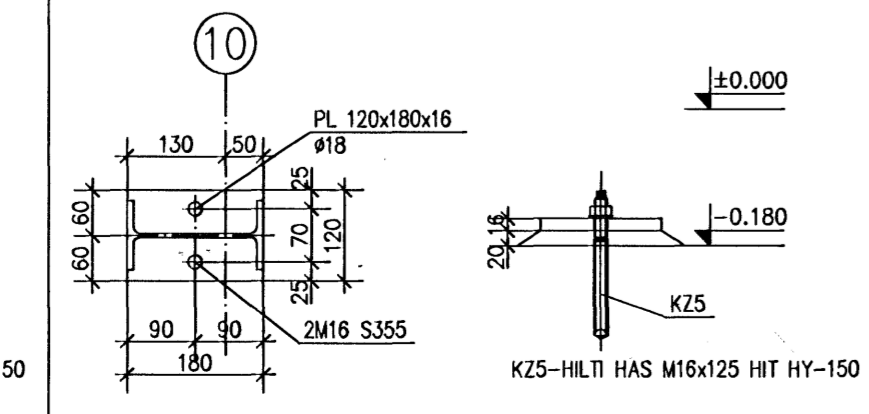


level ±0,00=h=31,95m

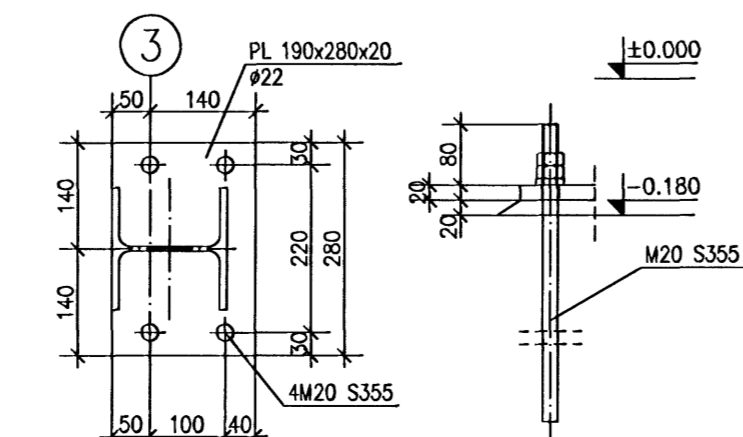
DETAIL E 1:10



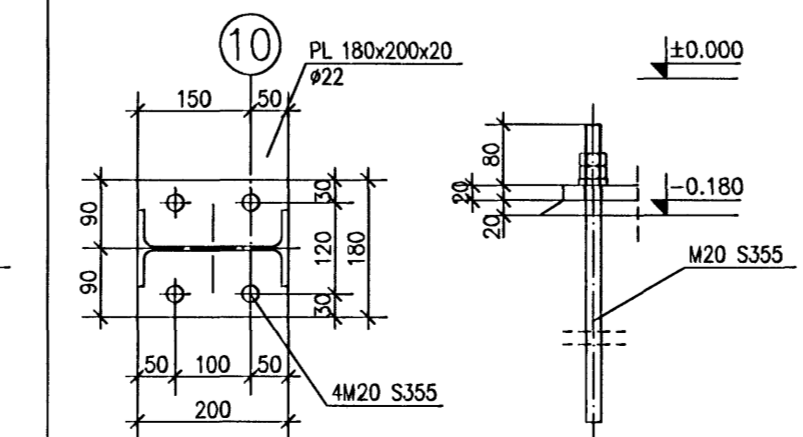
DETAIL E1 1:10



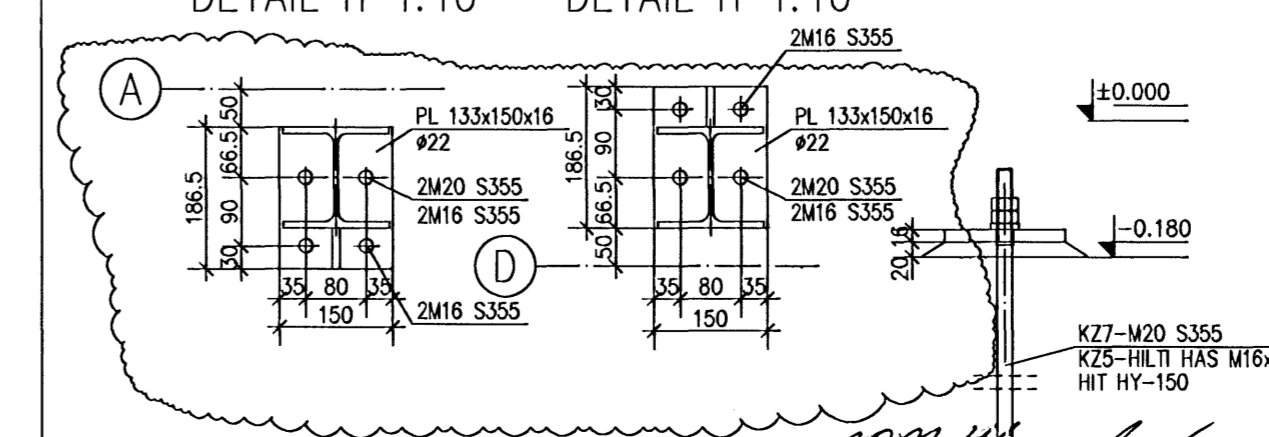
DETAIL F 1:10



DETAIL F1 1:10



DETAIL I1 1:10



D	11.03.2008	CHANGES ARE MARKED BY THE CLOUDS
C	27.02.2008	CHANGES ARE MARKED BY THE CLOUDS
B	04.02.2008	CHANGES ARE MARKED BY THE CLOUDS

Documentation Stage: Construction design
Object, Name and Address: Steel Construction
Date: 2007-12-14
Drawing name: ANCHORS PLAN
Scale: 1:100
1:10

Linuhönnun
consulting engineers
SÚÐURFRUNINGARVEGUR 4A, 18-TÓFT, HAFNARVÍÐI
3501-3504 SÚÐURFRUNINGARVEGUR, FAX: +354 245 1301
E: linuhon@linuhon.is, OL/ISSI-S:475

ruki
Ruiki Construction Polska Sp. z o.o.
ul. Tondowa 38
51-699 Wrocław
POLSKA
www.ruki.com.pl

Finnmapolska
ul. Wierzbakowa 11
10-437 Olsztyn
POLSKA
www.finnmapolska.pl

Designed by: Piotr Walosiak
Prepared by: Bartosz Regulski
Verified by: Krzysztof Bednarski

Date: 2007-12-14
Project No.: 02.1000
Drawing No.: 001
Rev: D