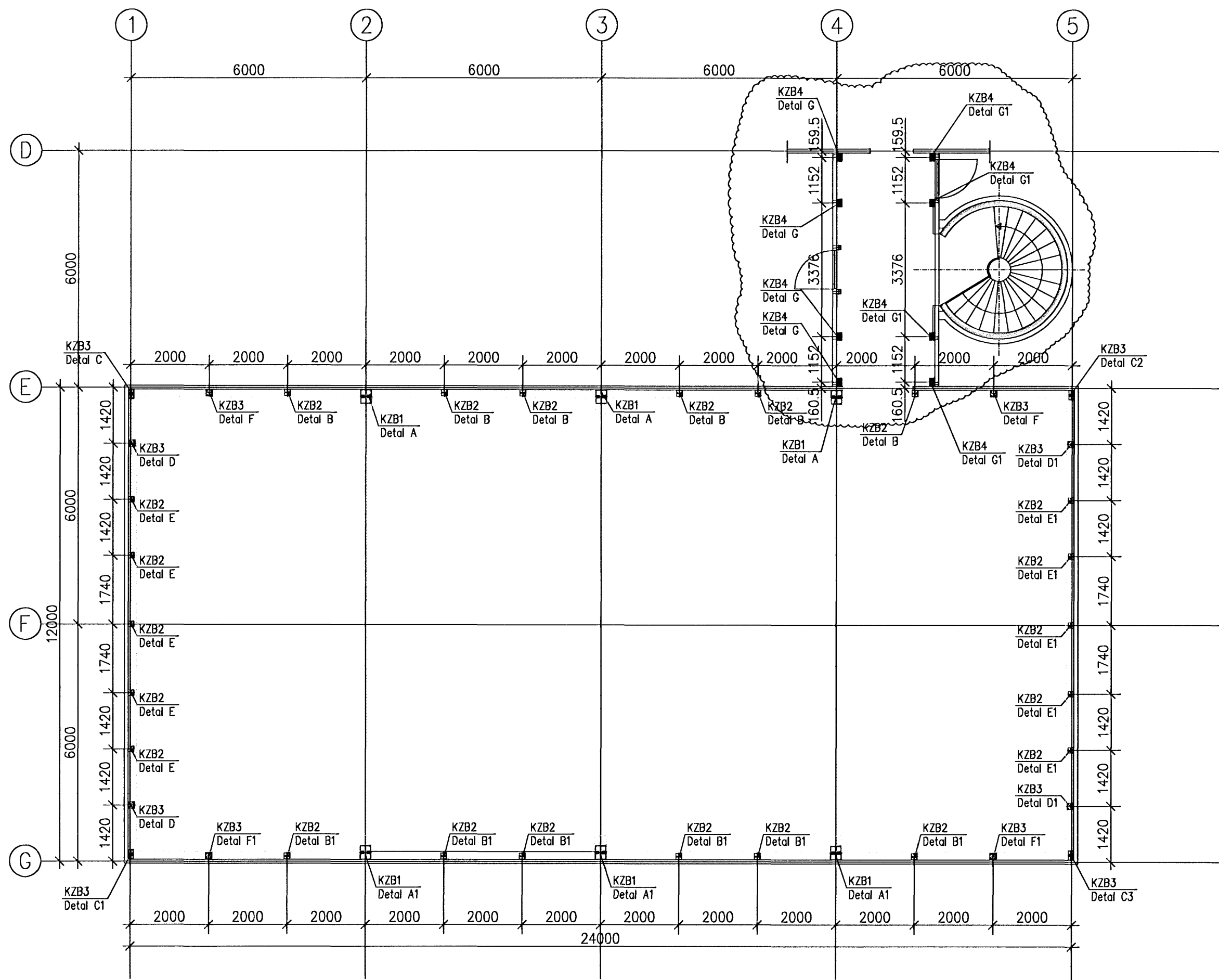


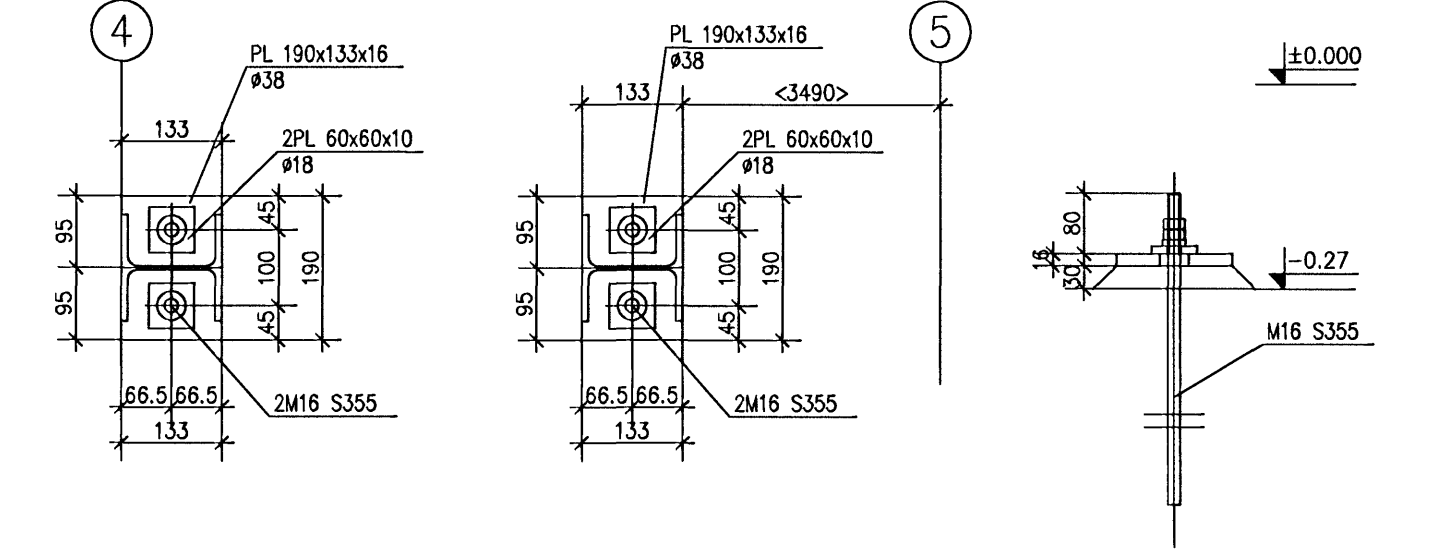
ANCHORS PLANE – OFFICE
SCALE 1:100

Sambýkkt þann
11 JUNÍ 2008
Byggingafróðfræðingur í Hafnarfirði
F.n. Hrölfur S. Gunnlaugsson



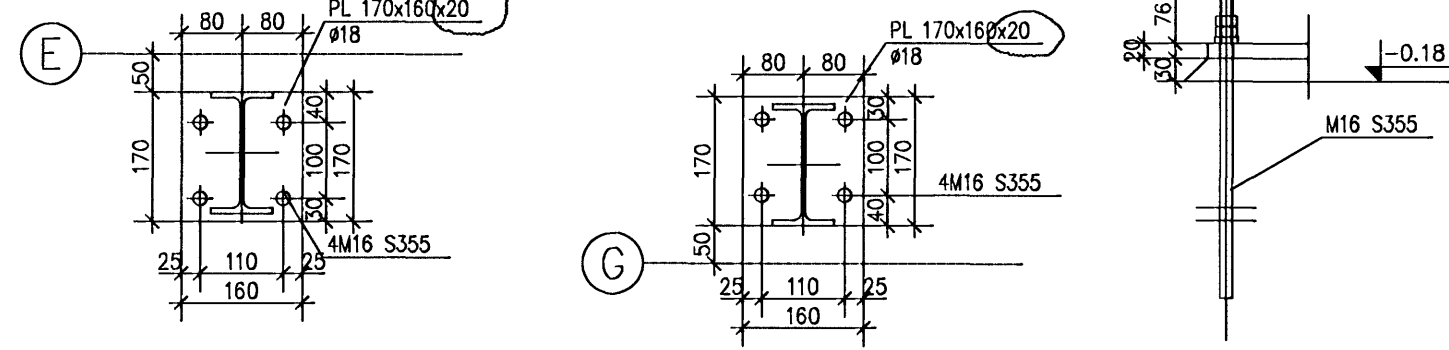
DETAIL G 1:10

DETAIL G1 1:10



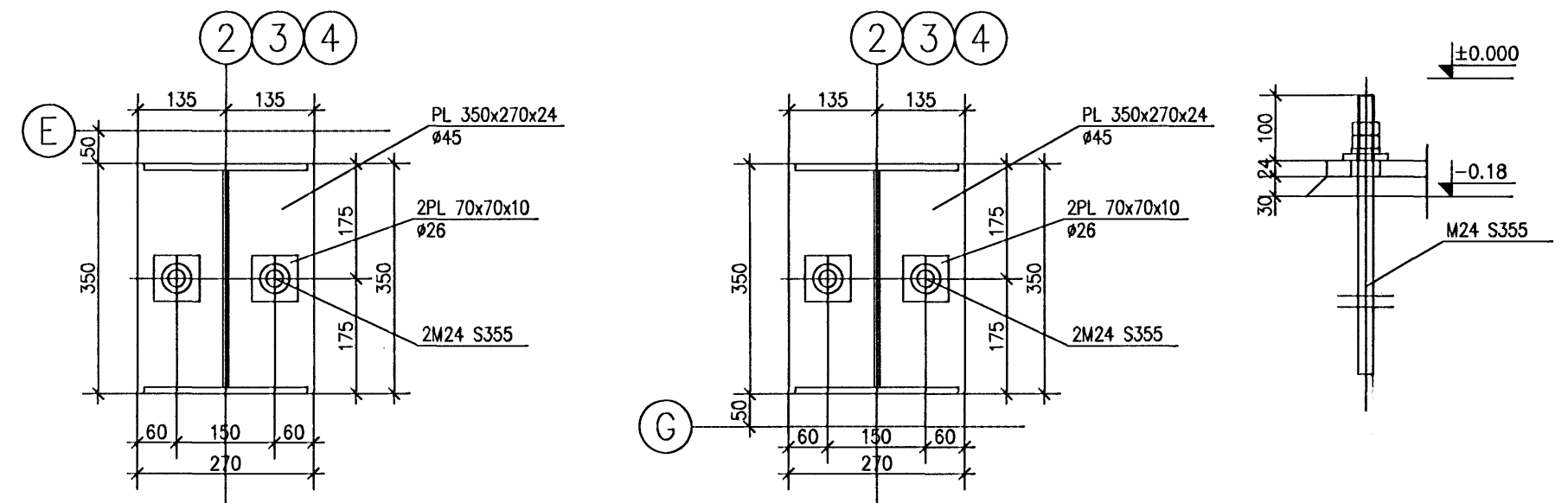
DETAIL F 1:10

DETAIL F1 1:10



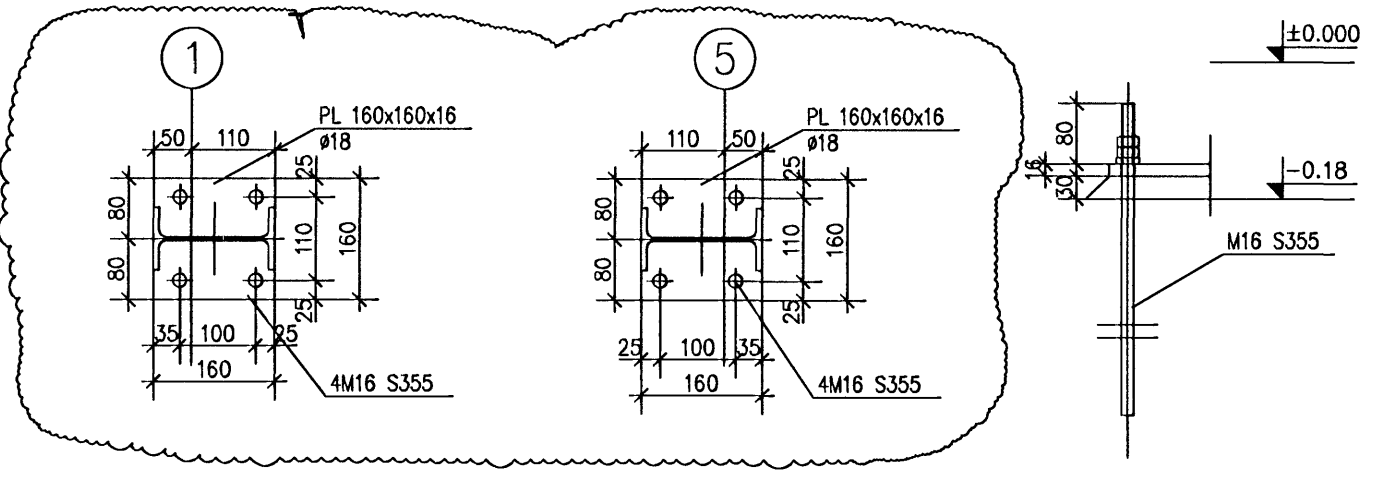
DETAIL A 1:10

DETAIL A1 1:10



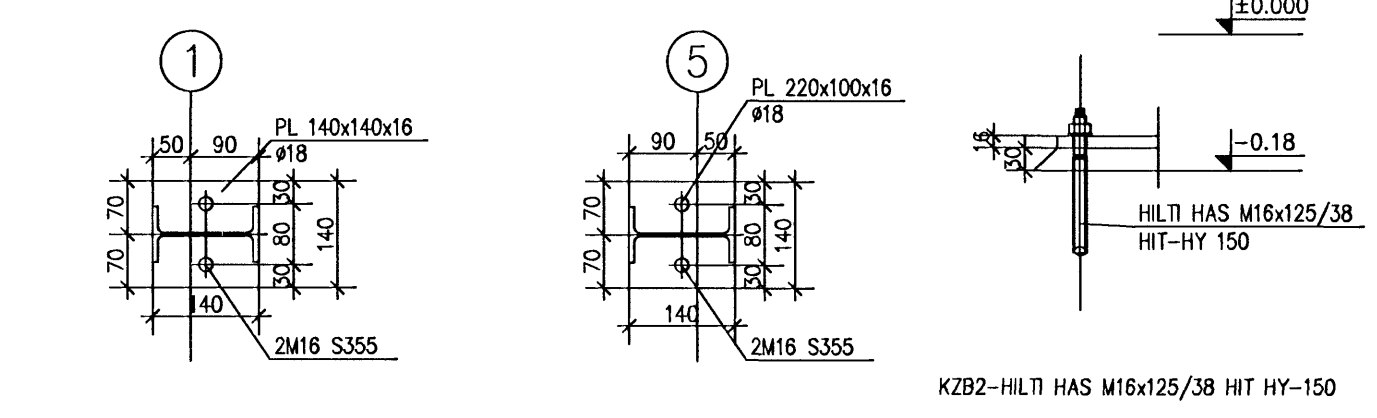
DETAIL D 1:10

DETAIL D1 1:10



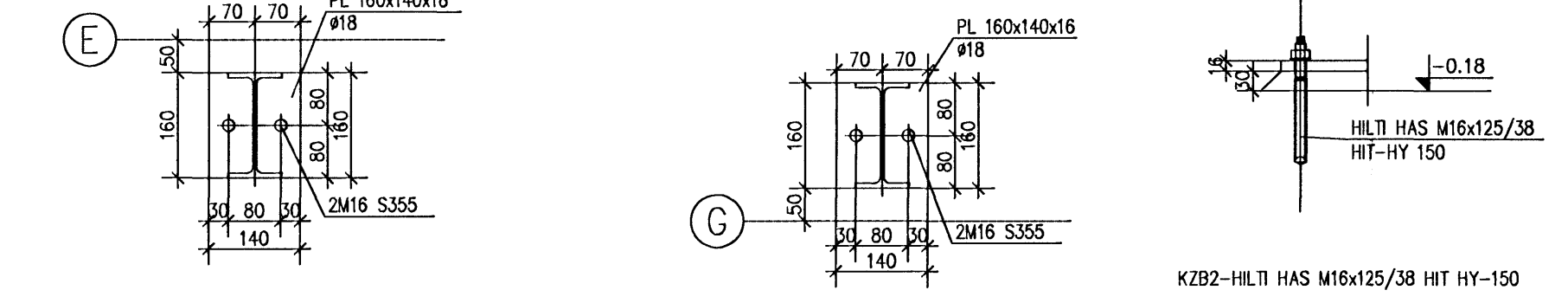
DETAIL E 1:10

DETAIL E1 1:10



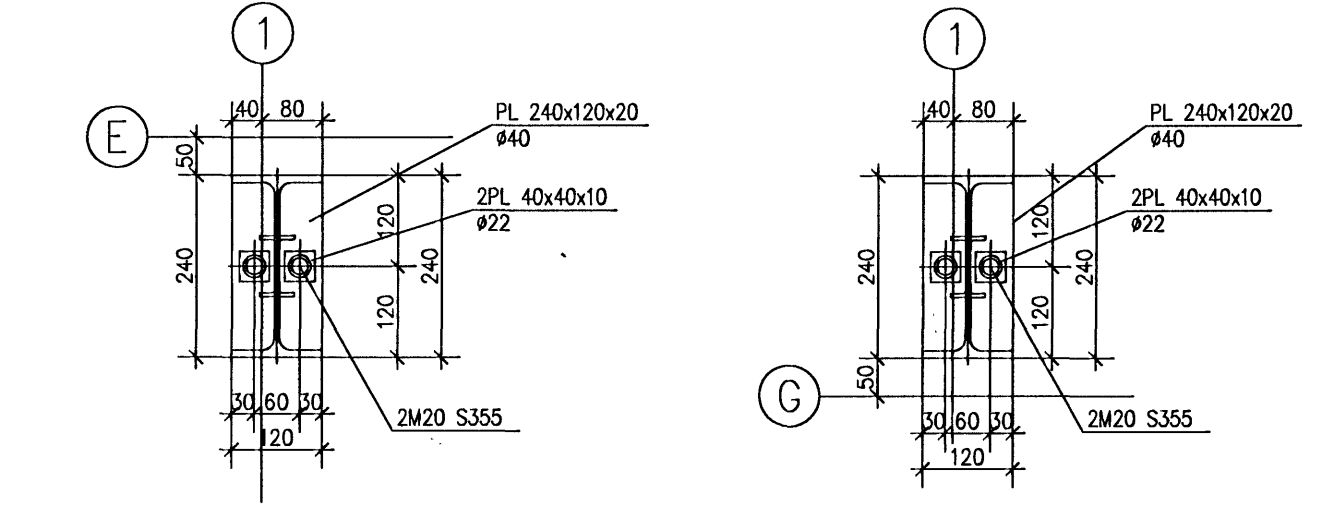
DETAIL B 1:10

DETAIL B1 1:10



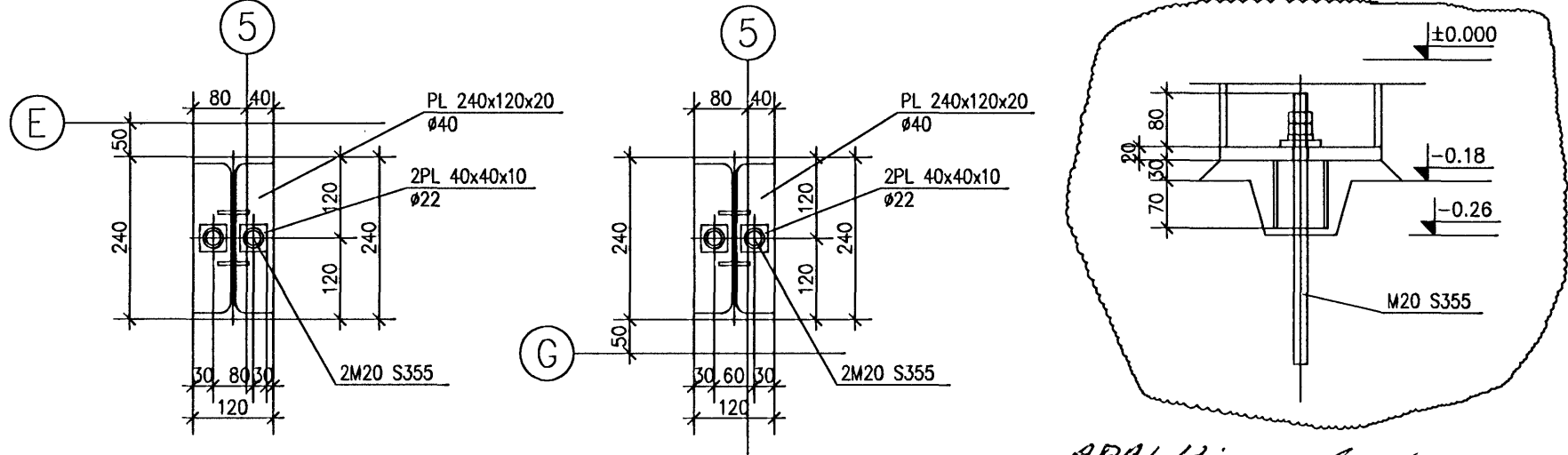
DETAIL C 1:10

DETAIL C1 1:10



DETAIL C2 1:10

DETAIL C3 1:10



Línuhönnun
consulting engineers
Sudurlandsbraut 4A, IS-108 Reykjavík
tel: +354 565 1300, fax: +354 565 1301
Cibernetikergættur 06/055-5289

level ±0,00=h=31,95m

D	27-02-2007	CHANGES ARE MARKED BY THE CLOUDS
C	29-01-2007	CHANGES ARE MARKED BY THE CLOUDS
B	23-01-2007	CHANGES ARE MARKED BY THE CLOUDS
A	08-01-2007	CORRECT LEVEL ANCHORS
Revision	Date	Change
Documentation Stage: Construction design		Branch: Steel Construction
Object, Name and Address:		Date: 2007-12-18
Drawing name: ANCHORS PLAN - OFFICE		Scale: 1:100
<p>ruški Ruški Construction Polska Sp. z o.o. ul. Towarowa 35 tel: +48 81 85 12 300 61-669 Poznań fax: +48 81 85 12 310 POLSKA www.ruški.com.pl</p> <p>Finnmap Polska ul. Wyczerpskiego 11 tel: +48 89 553 31 42 10-457 Olsztyn fax: +48 89 553 31 42 POLSKA www.finnmap.pl</p>		Project No.: 02.1000
Designed by: Piotr Walosik	Prepared by: Bartosz Regulski	Drawing No.: 003
Verified by: Krzysztof Bednarski		Rev: D