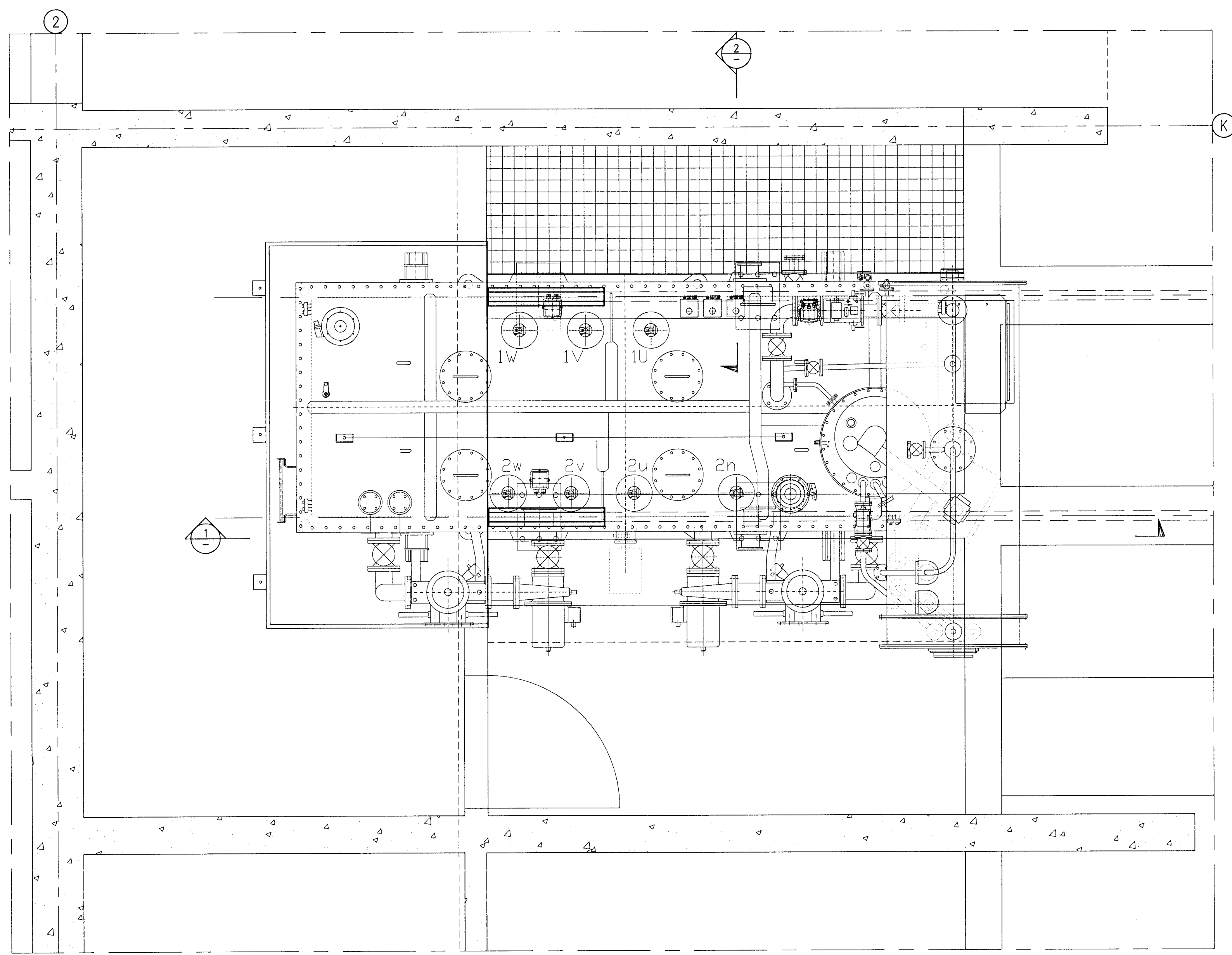
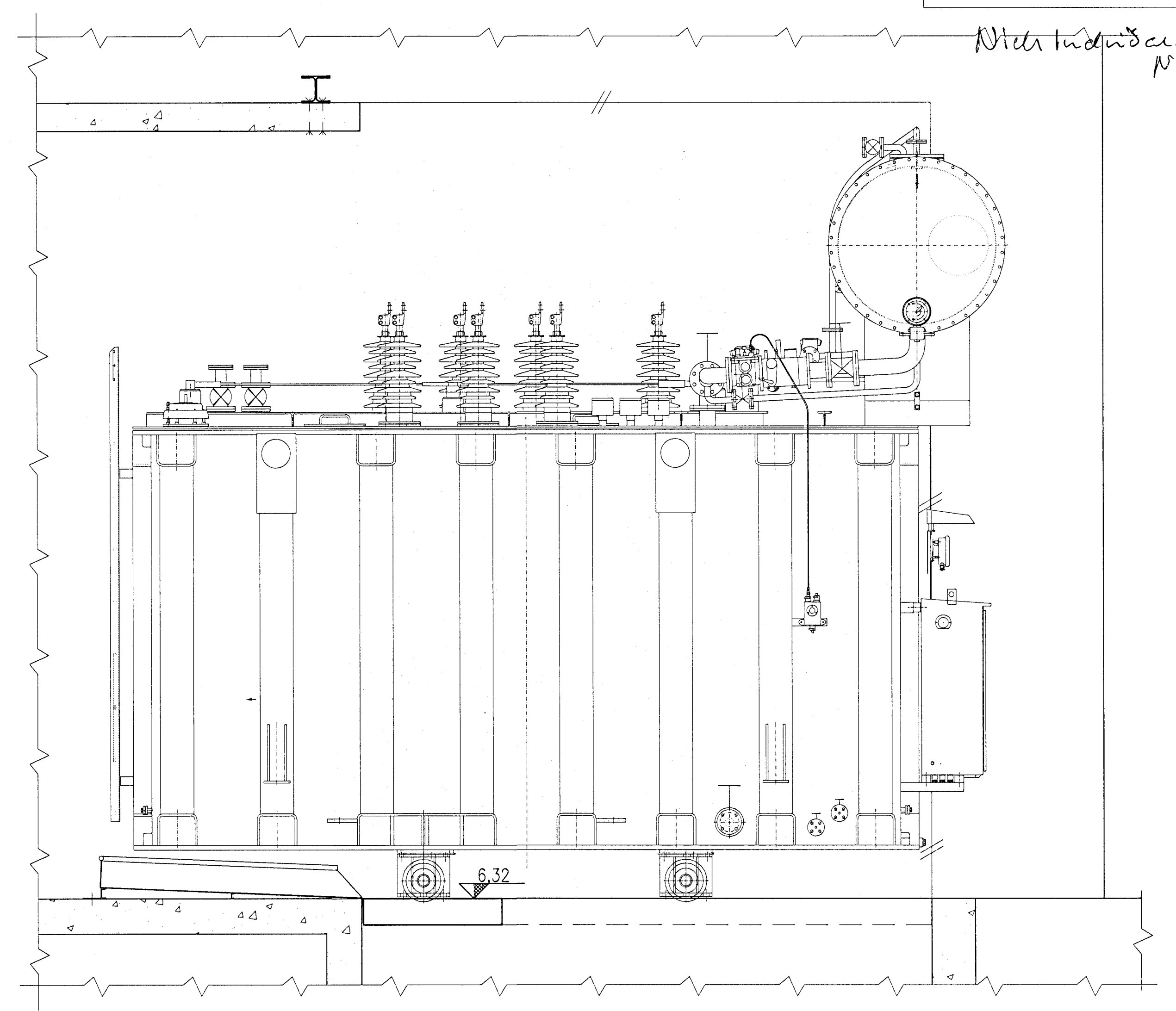


Samþykkt þann  
 07 FEB 2012  
 Sigurður Gunnarsson / Hafnarfrófi  
 Sífur S. Gunnarsson

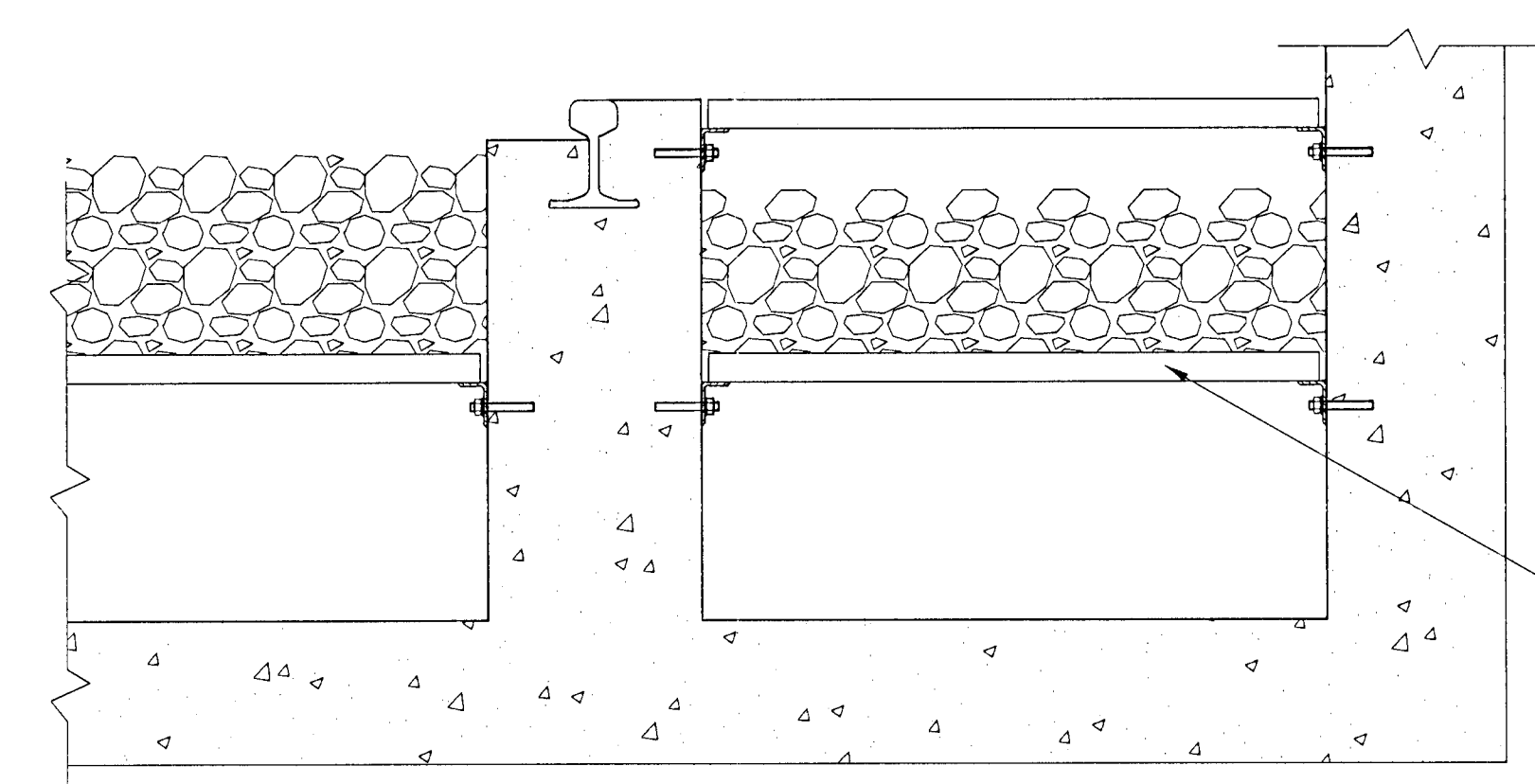
Níels Indriðsson  
 NI



BAY AREA, PLAN VIEW, 1:20  
 with 30 MVA ABB transformer

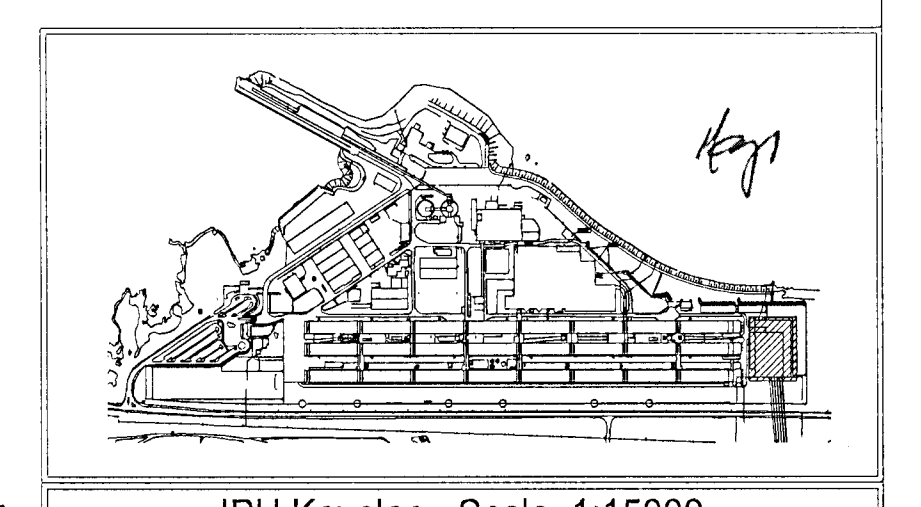
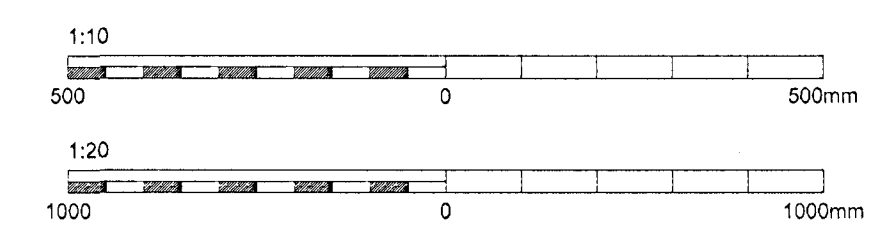


1 SECTION, 1:20



Grating and stone material to be dismantled before demolition and concrete work, and re-installed after changes have been performed

2 SECTION, 1:10



IPU Keyplan - Scale: 1:15000

Skýringar: Legend:	This drawing is the property of Rio Tinto Alcan Iceland Ltd. and handed out for personal use only. It may neither be copied nor made available to others without permission of Rio Tinto Alcan Iceland Ltd. The receiver is liable for any misuse.							<b>HRV</b> ENGINEERING	Dagsetning / Date: 2011.08.08		IPU - 410 MAIN SUBSTATION BAY FOR 30 MVA TRANSFORMER, 07D12			Flokkur nr.:	Bláð nr.:	Nasta bl. nr.:
	Starfs: A1 Wkv.: 1:10,20 Formati: Scale: 1:10,20 Dimensions without tolerances according to ISO 2768-1 medium.								Hannað / Designed: SE Teikn / Drawn: LDB		PLAN VIEW AND SECTION GENERAL ARRANGEMENT			Kostn nr.-Cono. /	Bðn nr.-Eq no	
2	Issued for construction	2011.09.22	SE/AFV	NI	ESG	REN			Verktaki / Supplier: HRV Tekn.nr.verktaka / Supplier drw.no: IDP-412-CA-015-003 Samþykkt / Approved: NI Hluti af: / Part of:	<b>RioTintoAlcan</b> <small>Alcan Iceland Ltd          Straumavík          IS-222 Hálfarjörður          Ísland</small>			Tekn.nr. ISAL / Drw.no. of ISAL:	Breyt./Rev.:	C	
Ólg nr. Rev no	Lýsing Description	Dagsetning Date	Hann/Án Des/Drw	Yfirl Ckd	Notk heim Suppl Rel	Notk heim ISAL Rel			ISAL Yfirráð og stjórn, dags / ISAL Checked, date ISAL Samþykkt, dags / ISAL Approved, date							