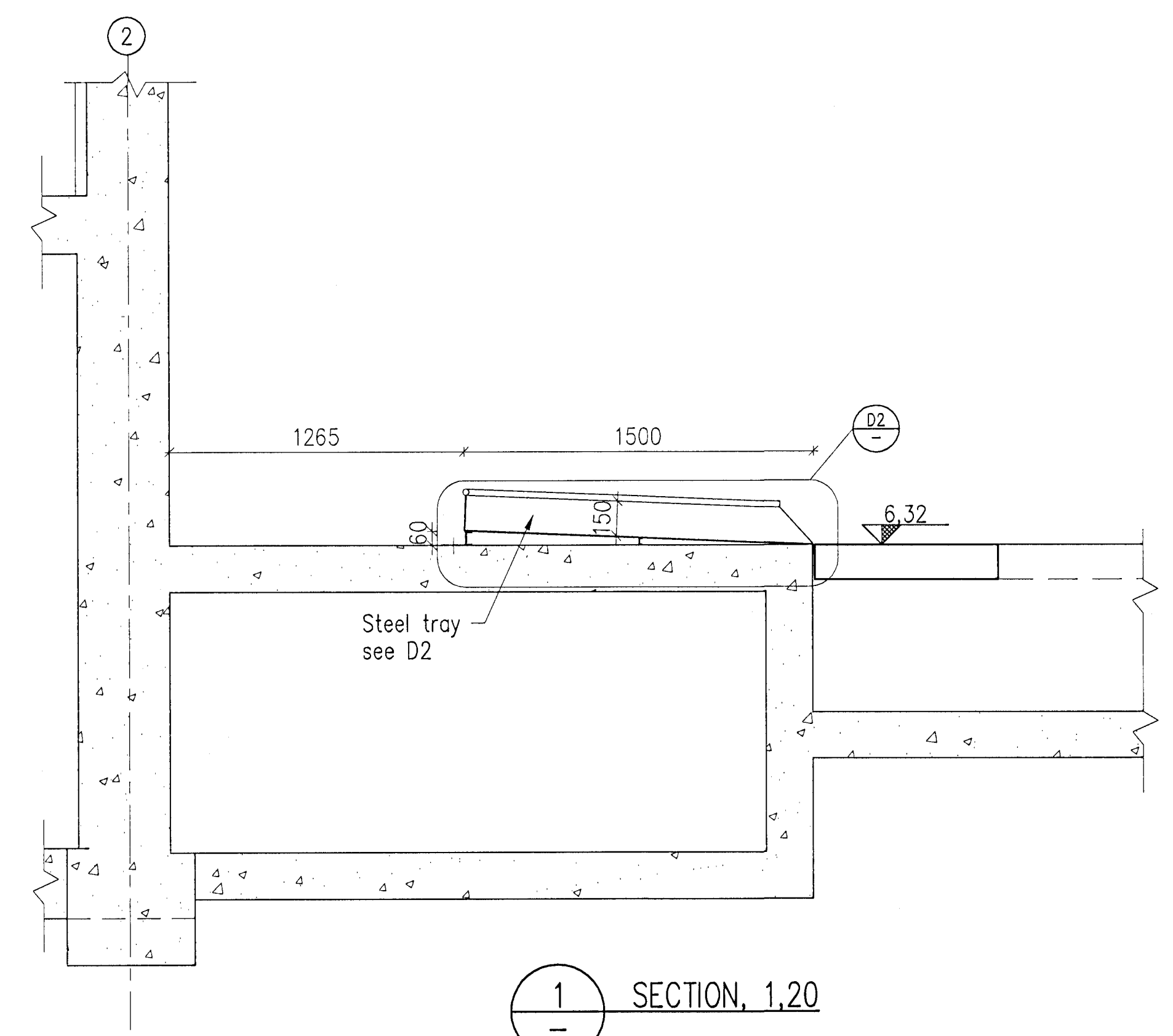
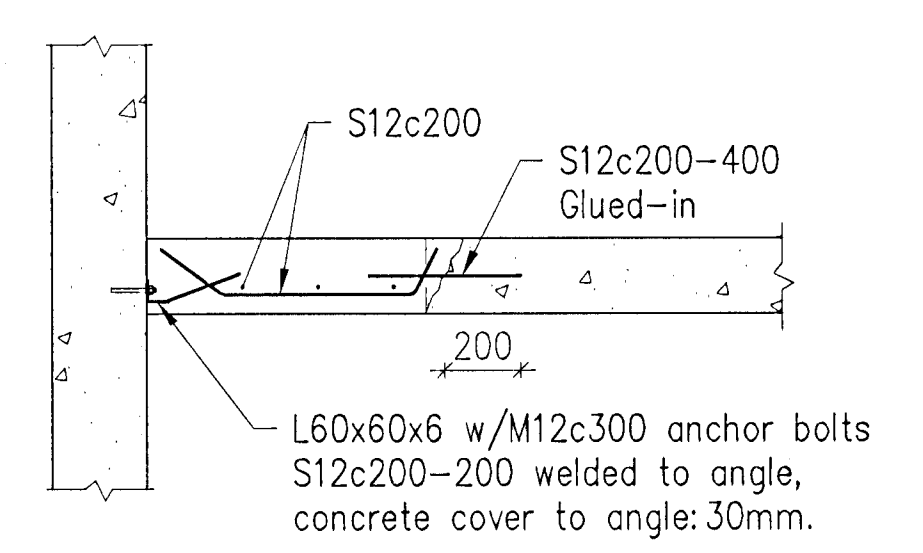


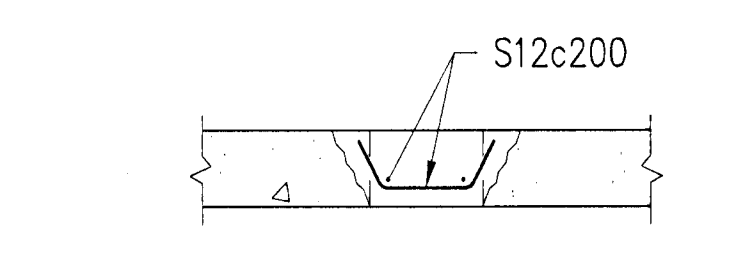
A PART OF BAY AREA, PLAN VIEW, 1:20 1:2



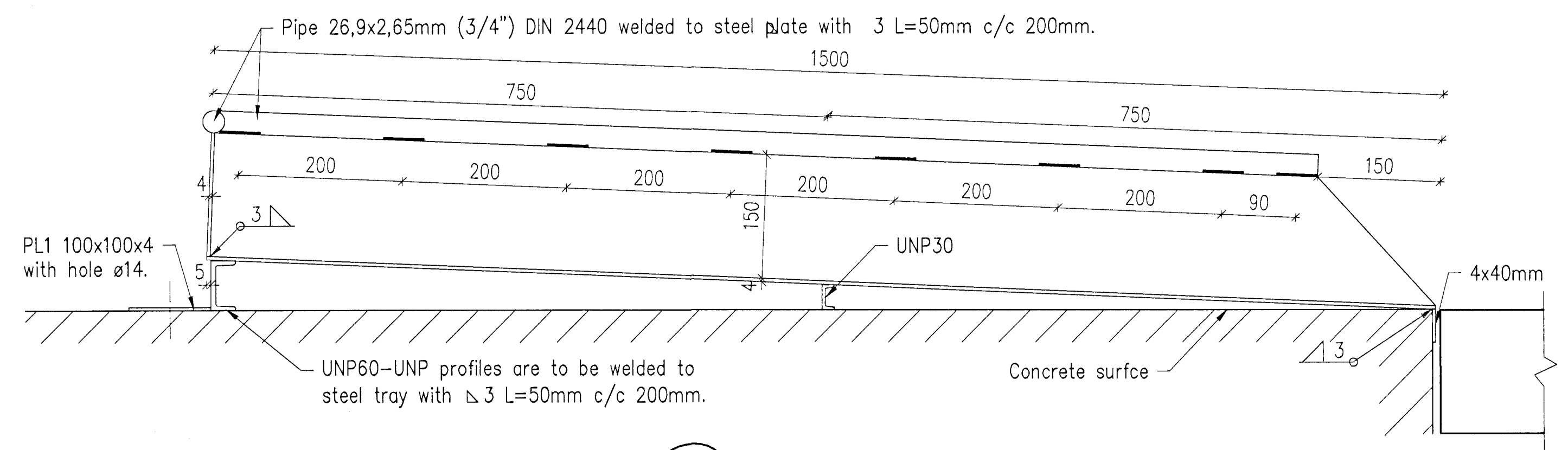
1 SECTION, 1,20



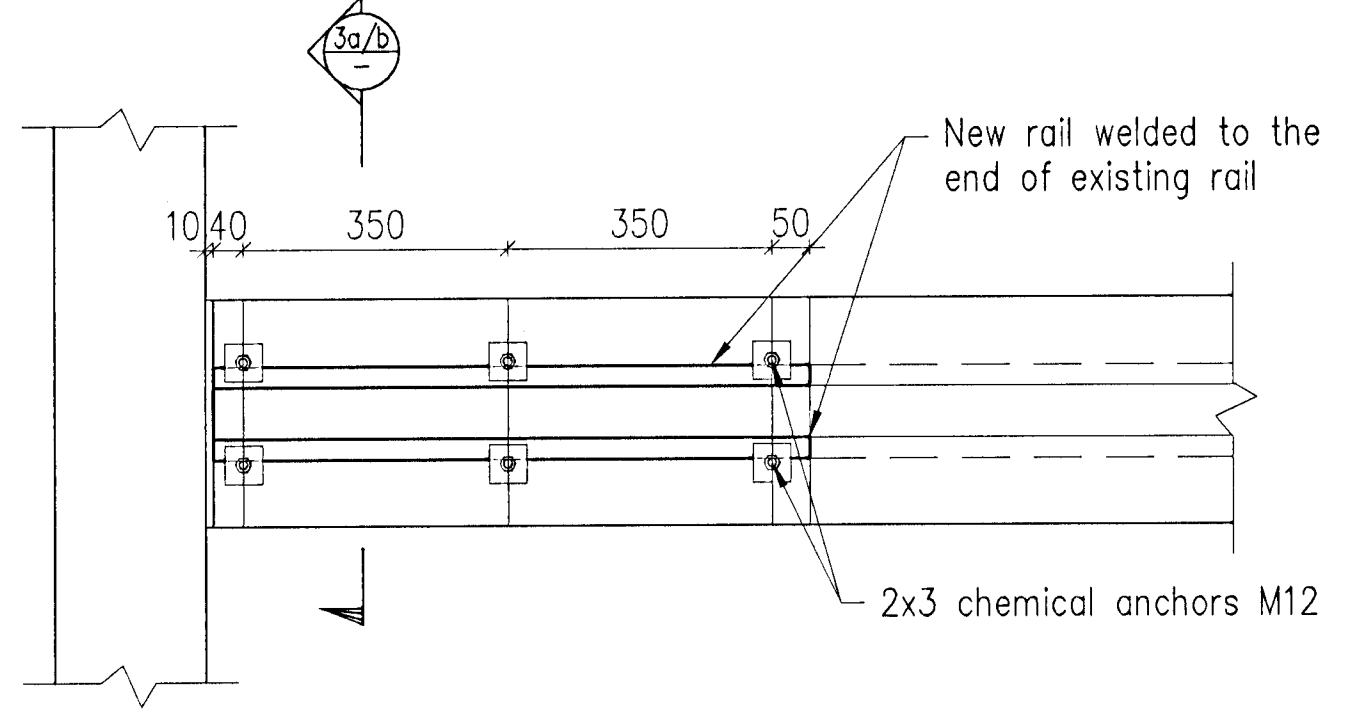
4 SECTION, 1,20



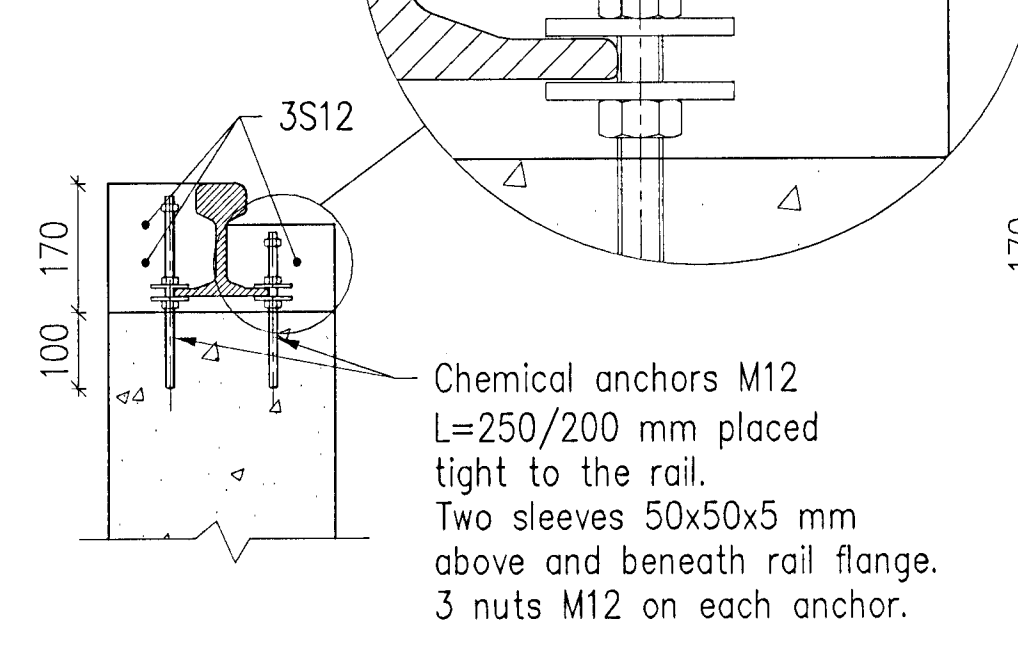
5 SECTION, 1,20



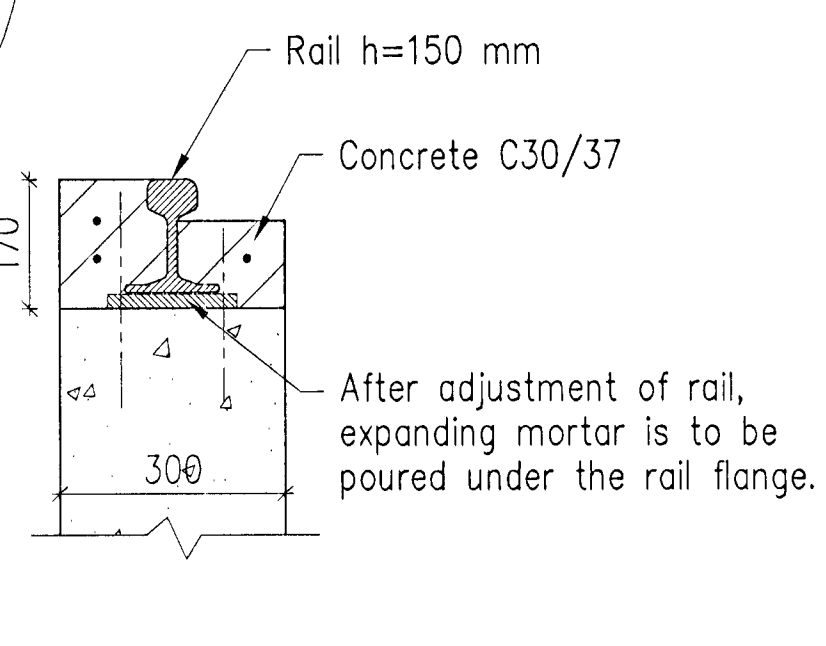
D2 DETAIL, 1,5



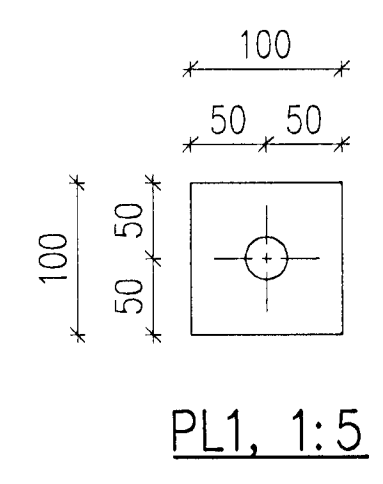
D1 DETAIL, 1:10



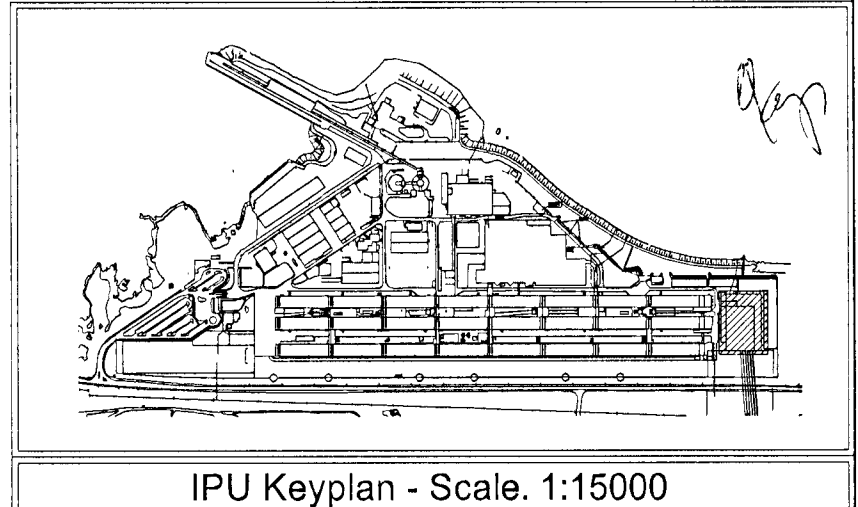
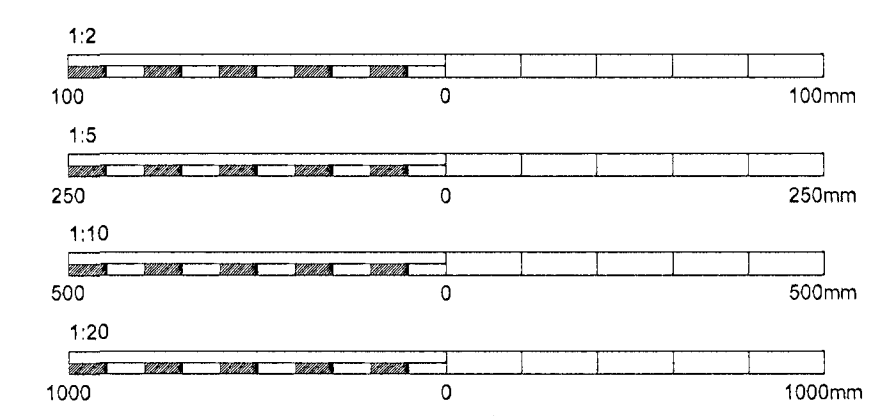
3a SECTION, 1,10



3b SECTION, 1,10



PL1, 1:5



IPU Keyplan - Scale: 1:15000

Skýringar:
Legend:

Sl. nr.	Rev. nr.	Lýsing	Dagsetning	Hann/Örn	Yfir	Notk. heim	Notk. heim
		Description	Date	Des/Örn	Chk	Suppl	ISAL, Rsl
3		Closure of openings	2012.01.20	SE/AFV	NI	ÓSig	
2		Issued for construction	2011.09.22	SE/AFV	NI	ÓSig	

This drawing is the property of Rio Tinto Alcan Iceland Ltd and handed out for personal use only. It may neither be copied nor made available to others without permission of Rio Tinto Alcan Iceland Ltd. The receiver is liable for any misuse.			Dagsetning / Date: 2011.08.08	
Starfs Format: A1 Skv.: 1:10/20			Tekn / Drawn: SE	
Scale: according to ISO 2758-1 medium.		Verktaki / Supplier: HRV		IPU - 410 MAIN SUBSTATION BAY FOR 30 MVA TRANSFORMER, 07D12 PLAN VIEW, SECTIONS AND DETAIL Teg. teikningar / Dag. type: CONCRETE WORK
ISAL, Rsl		Tekn.nr. verktaka / Supplier drw. no.: IDP-412-CA-015-002		ISAL RioTintoAlcan Alcan Iceland Ltd IS-222 Hafnarfjörður Ísland
ISAL, Rsl		Hiluti af / Part of:		ISAL, Yfirfarið og útskið, dags. / ISAL Checked, date ISAL Samþykkt, dags. / ISAL Approved, date

ISAL, Rsl	ISAL, Rsl / Dwn. of ISAL	Breyt./Rev.
ISAL, Rsl	ISAL, Rsl	C