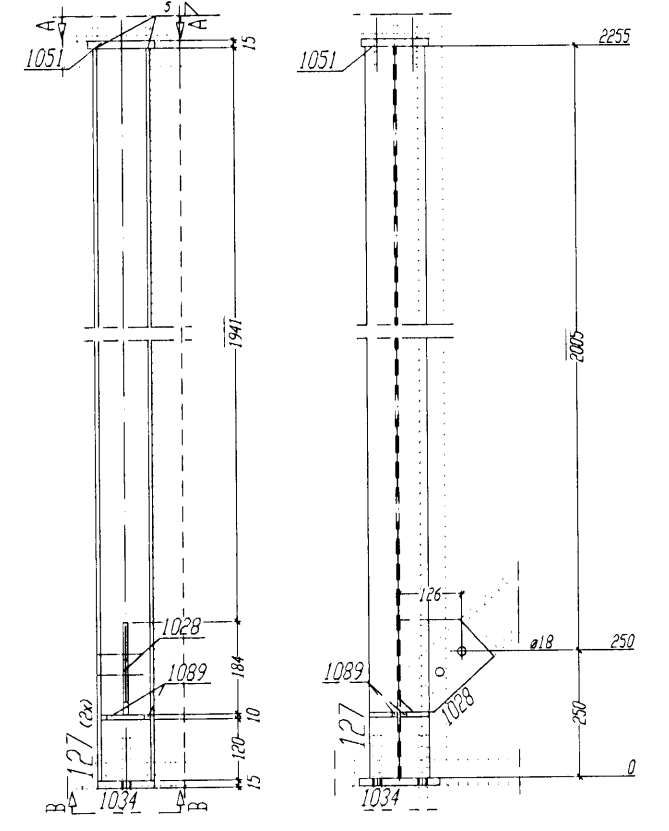


Bill of material for 1 Ship-DOS 126 total 1 X done

No.	Part pos.	Description	Qty.	Profile	Quantity	Length	Weight	Item
1	126	TRACER	1	R.104100	SESSRAGE	1630	50.42	
2	126A	PLATE	1	R.104100	SESSRAGE	175	5.50	
3	126B	PIPE	4	R.104175	SESSRAGE	134	2.16	
total weight (kg)								58.07

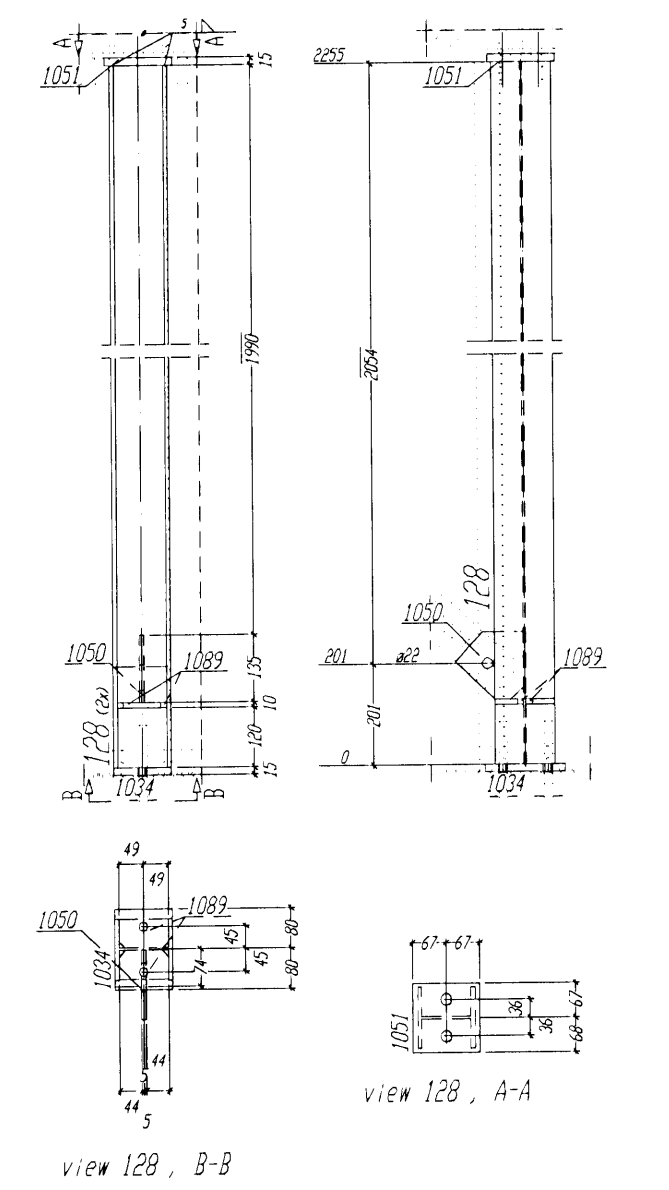
Shipping dimensions (H x B x L): 175 x 160 x 1604



Bill of material for 1 Ship-DOS 127 total 2 X done

No.	Part pos.	Description	Qty.	Profile	Quantity	Length	Weight	Item
1	127	TRACER	1	R.104100	SESSRAGE	2035	44.87	
2	127A	ANDRENBRECH	1	R.104100	SESSRAGE	184	2.63	
3	127B	TRACER	2	R.104100	SESSRAGE	134	2.13	
4	127C	TRACER	1	R.104175	SESSRAGE	134	2.13	
5	127D	PIPE	2	R.104175	SESSRAGE	98	1.88	
total weight (kg)								52.72

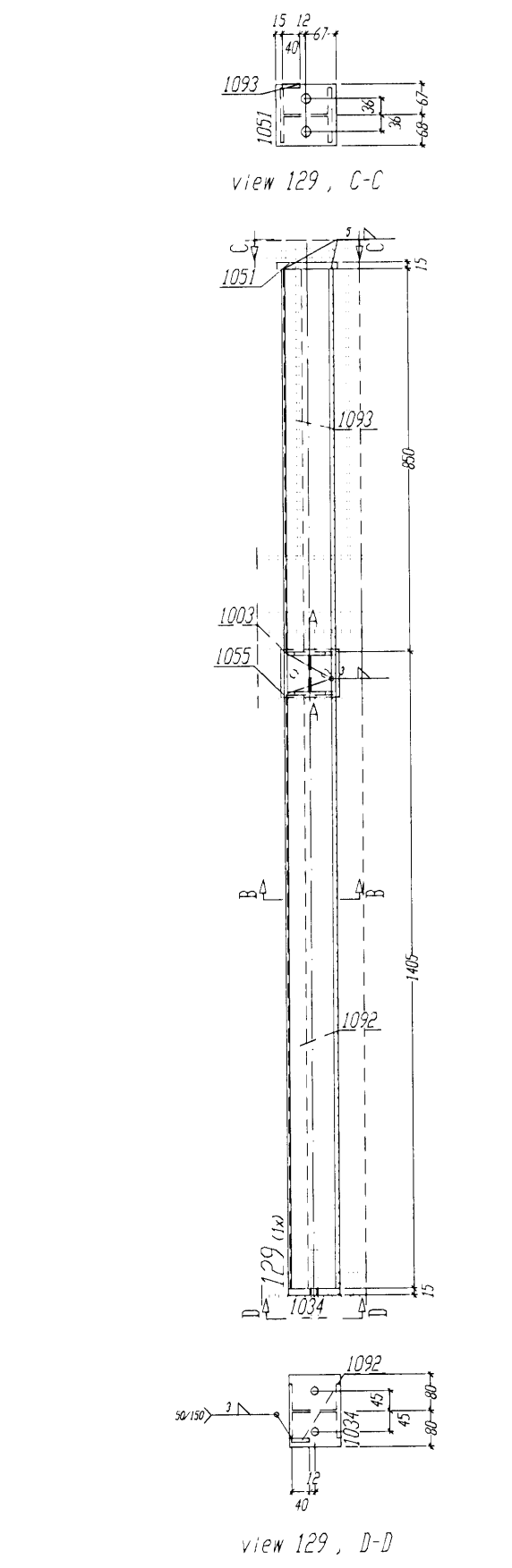
Shipping dimensions (H x B x L): 134 x 200 x 2295



Bill of material for 1 Ship-DOS 128 total 2 X done

No.	Part pos.	Description	Qty.	Profile	Quantity	Length	Weight	Item
1	128	TRACER	1	R.104100	SESSRAGE	2035	44.87	
2	128A	TRACER	1	R.104100	SESSRAGE	114	2.15	
3	128B	ANDRENBRECH	1	R.104175	SESSRAGE	135	1.40	
4	128C	TRACER	1	R.104100	SESSRAGE	134	2.13	
5	128D	PIPE	2	R.104175	SESSRAGE	98	1.88	
total weight (kg)								51.46

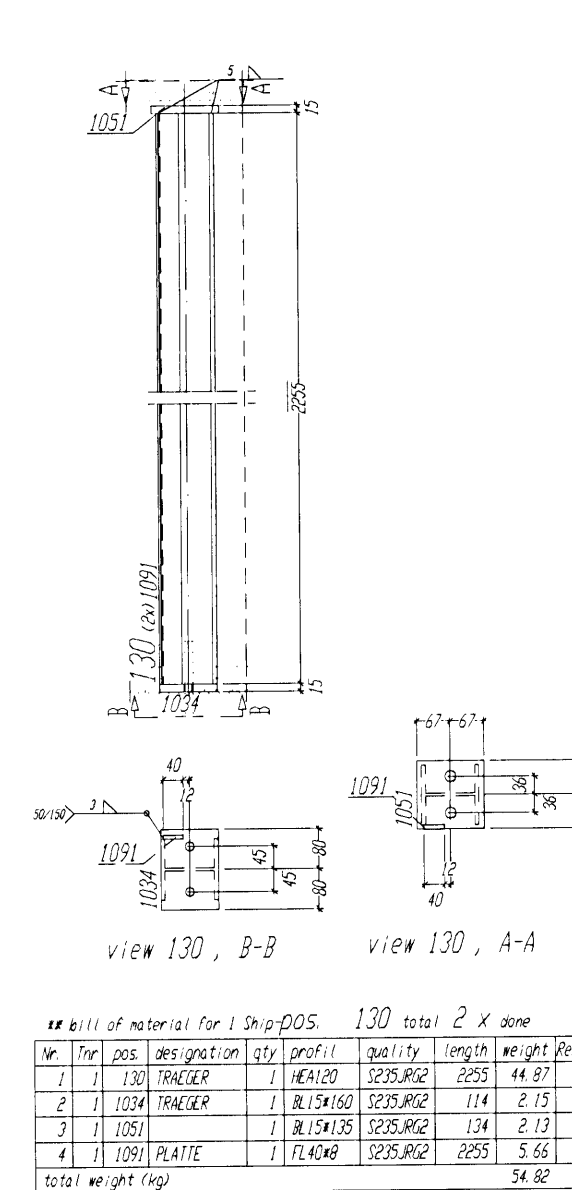
Shipping dimensions (H x B x L): 134 x 210 x 2295



Bill of material for 1 Ship-DOS 129 total 1 X done

No.	Part pos.	Description	Qty.	Profile	Quantity	Length	Weight	Item
1	129	TRACER	1	R.104100	SESSRAGE	2035	44.87	
2	129A	TRACER	1	R.104100	SESSRAGE	254	4.25	
3	129B	TRACER	1	R.104100	SESSRAGE	114	2.15	
4	129C	TRACER	1	R.104100	SESSRAGE	134	2.13	
5	129D	TRACER	1	R.104175	SESSRAGE	136	1.98	
6	129E	PLATE	1	R.104100	SESSRAGE	130	3.29	
7	129F	PLATE	1	R.104100	SESSRAGE	60	2.13	
total weight (kg)								59.91

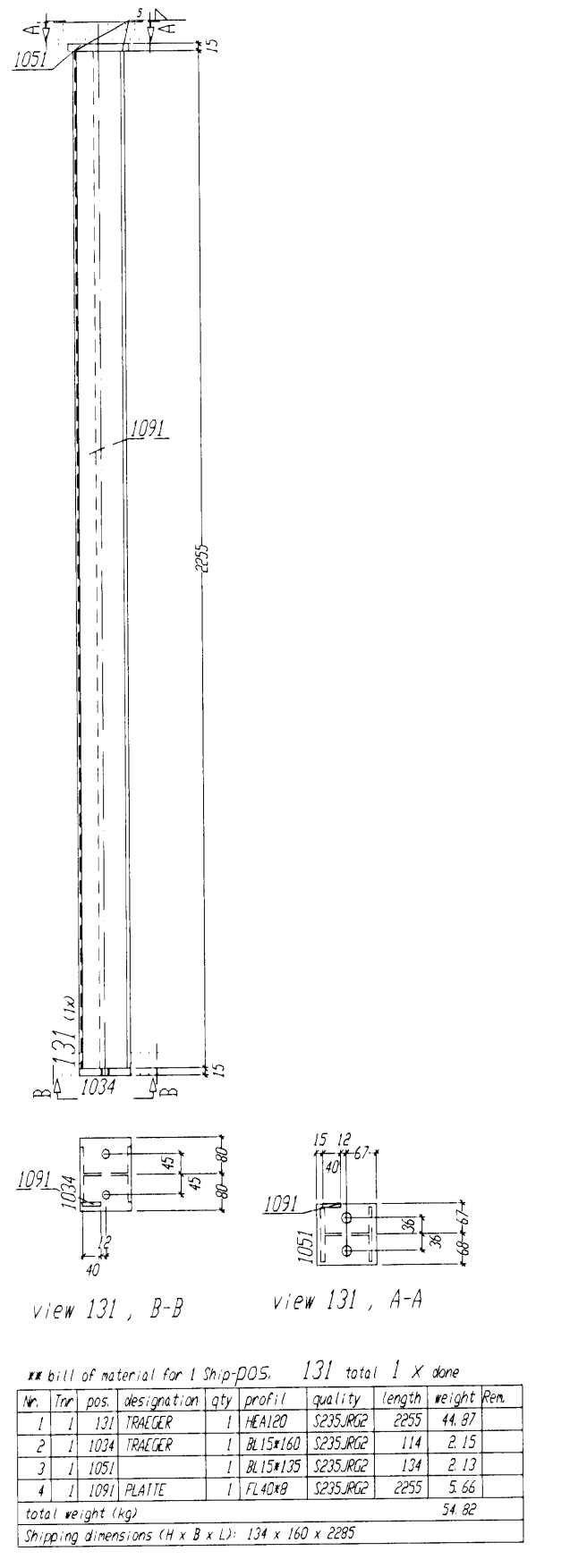
Shipping dimensions (H x B x L): 134 x 247 x 2295



Bill of material for 1 Ship-DOS 130 total 2 X done

No.	Part pos.	Description	Qty.	Profile	Quantity	Length	Weight	Item
1	130	TRACER	1	R.104100	SESSRAGE	2035	44.87	
2	130A	TRACER	1	R.104100	SESSRAGE	114	2.15	
3	130B	TRACER	1	R.104100	SESSRAGE	134	2.13	
4	130C	PLATE	1	R.104100	SESSRAGE	225	5.66	
total weight (kg)								54.82

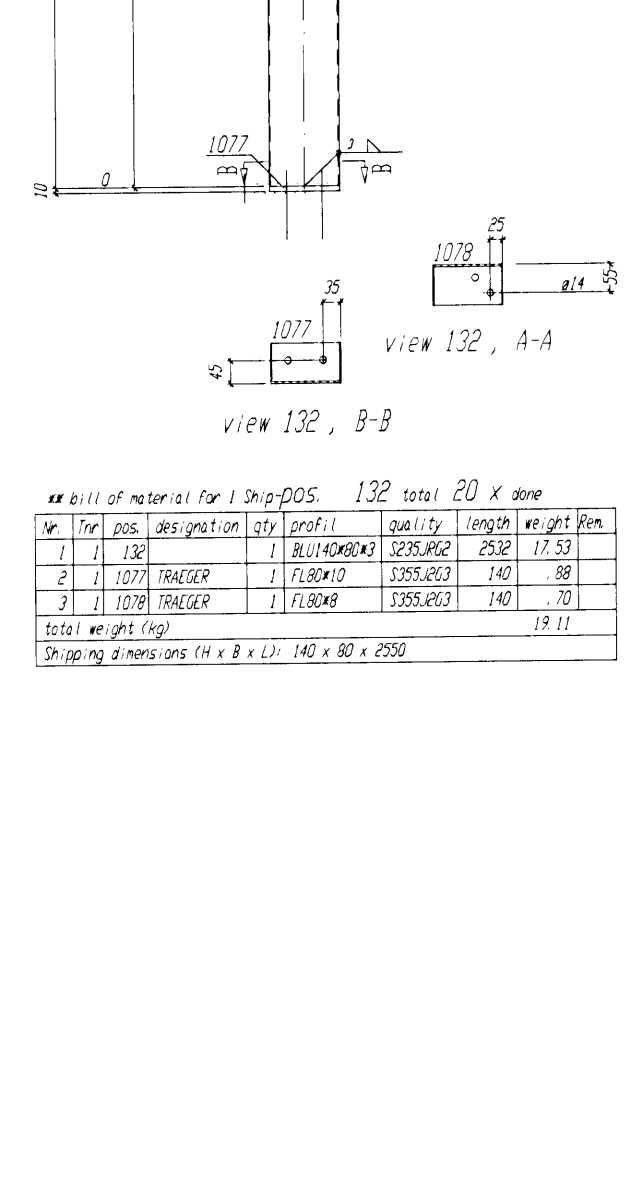
Shipping dimensions (H x B x L): 134 x 160 x 2295



Bill of material for 1 Ship-DOS 131 total 1 X done

No.	Part pos.	Description	Qty.	Profile	Quantity	Length	Weight	Item
1	131	TRACER	1	R.104100	SESSRAGE	2035	44.87	
2	131A	TRACER	1	R.104100	SESSRAGE	114	2.15	
3	131B	TRACER	1	R.104100	SESSRAGE	134	2.13	
4	131C	PLATE	1	R.104100	SESSRAGE	225	5.66	
total weight (kg)								54.82

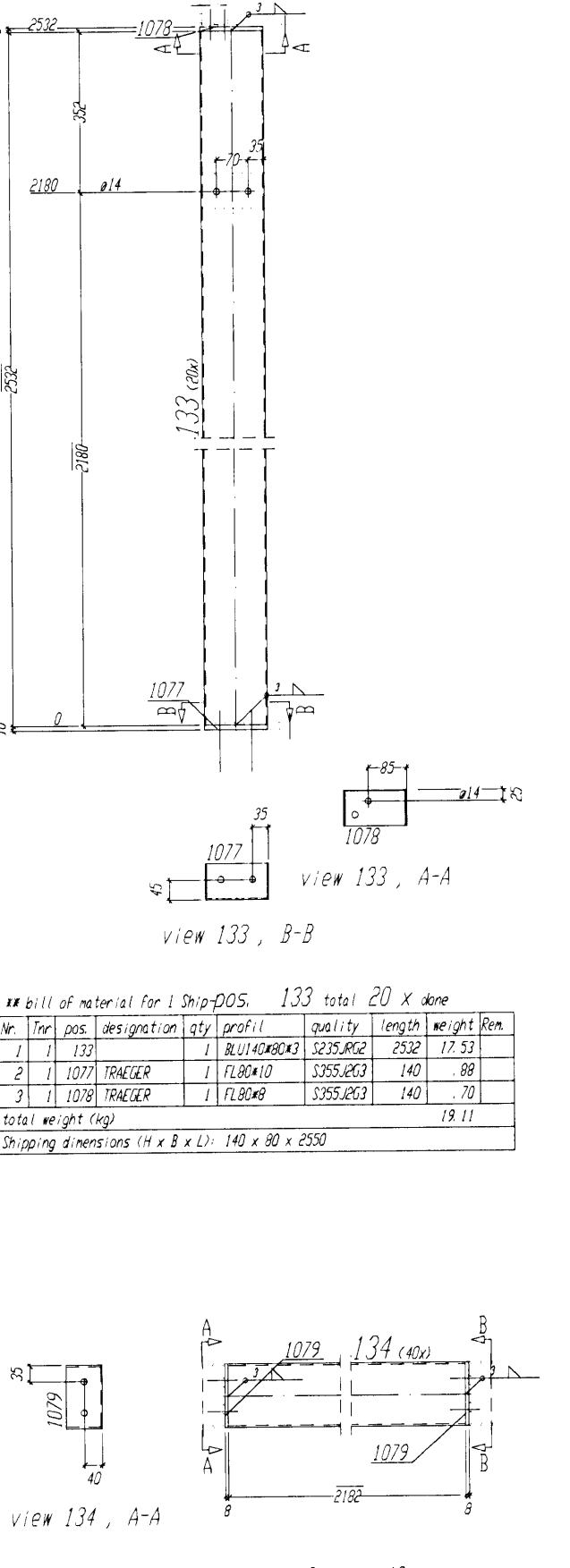
Shipping dimensions (H x B x L): 134 x 160 x 2295



Bill of material for 1 Ship-DOS 132 total 20 X done

No.	Part pos.	Description	Qty.	Profile	Quantity	Length	Weight	Item
1	132	TRACER	1	R.104100	SESSRAGE	2035	44.87	
2	132A	TRACER	1	R.104100	SESSRAGE	140	2.38	
3	132B	TRACER	1	R.104100	SESSRAGE	140	2.38	
total weight (kg)								19.11

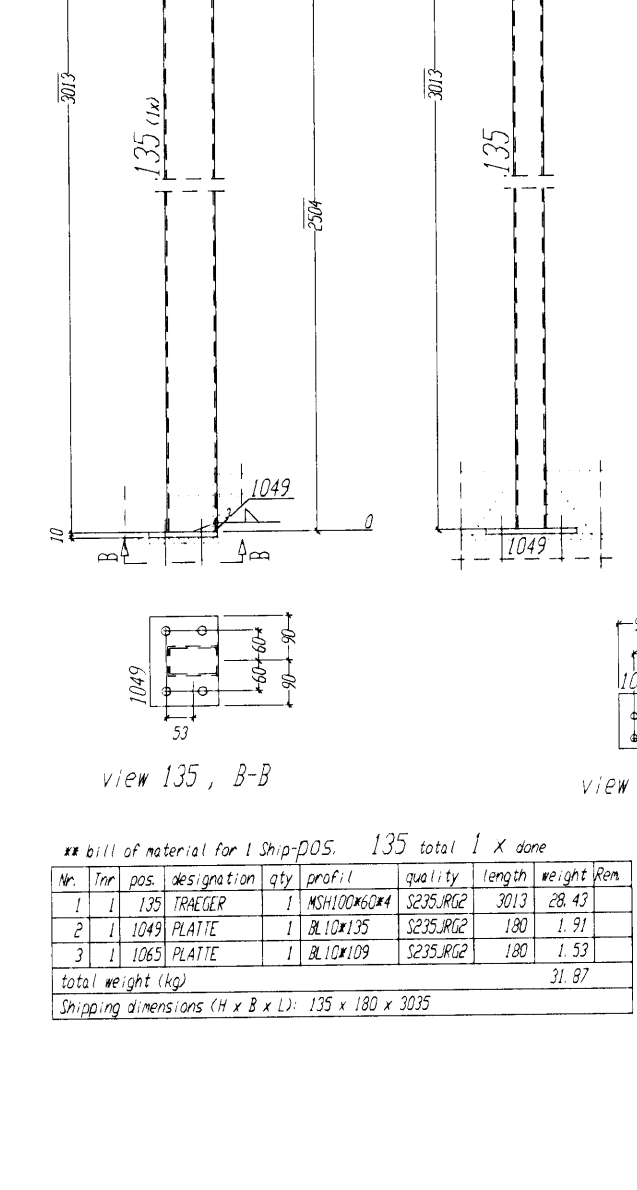
Shipping dimensions (H x B x L): 140 x 80 x 2390



Bill of material for 1 Ship-DOS 133 total 20 X done

No.	Part pos.	Description	Qty.	Profile	Quantity	Length	Weight	Item
1	133	TRACER	1	R.104100	SESSRAGE	2035	44.87	
2	133A	TRACER	1	R.104100	SESSRAGE	140	2.38	
3	133B	TRACER	1	R.104100	SESSRAGE	140	2.38	
total weight (kg)								19.11

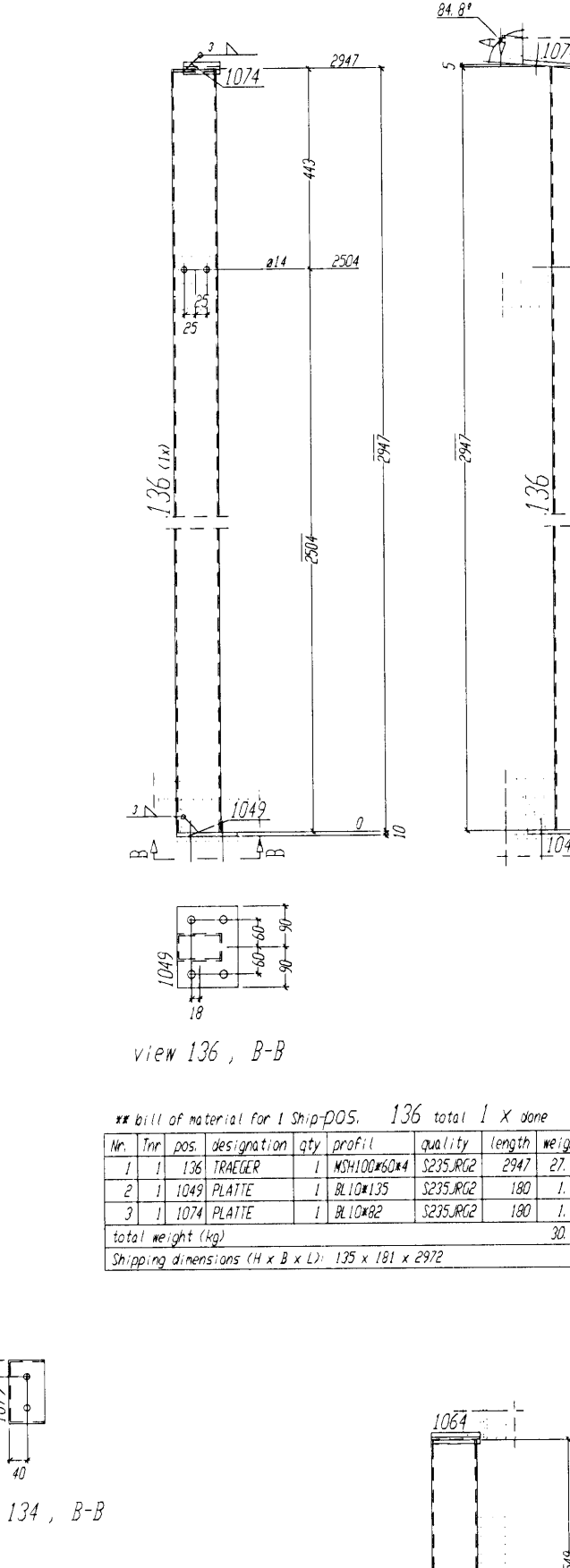
Shipping dimensions (H x B x L): 140 x 80 x 2390



Bill of material for 1 Ship-DOS 134 total 40 X done

No.	Part pos.	Description	Qty.	Profile	Quantity	Length	Weight	Item
1	134	TRACER	1	R.104100	SESSRAGE	2190	15.11	
2	134A	TRACER	2	R.104100	SESSRAGE	140	1.41	
total weight (kg)								16.93

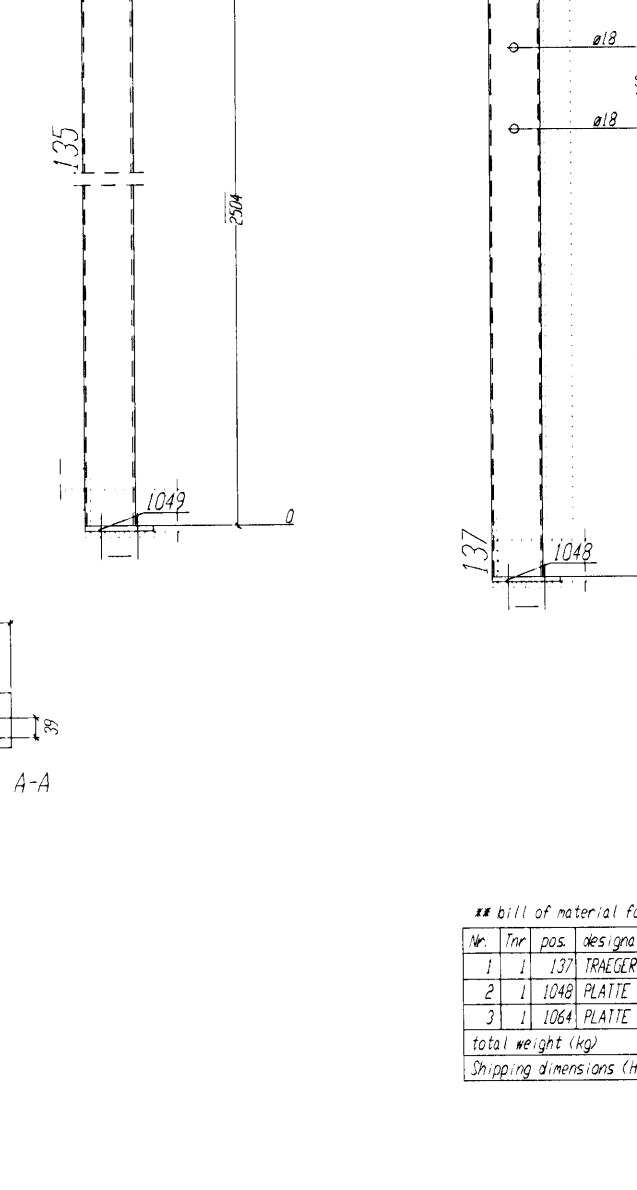
Shipping dimensions (H x B x L): 140 x 80 x 2390



Bill of material for 1 Ship-DOS 135 total 1 X done

No.	Part pos.	Description	Qty.	Profile	Quantity	Length	Weight	Item
1	135	TRACER	1	R.104100	SESSRAGE	2035	44.87	
2	135A	PLATE	1	R.104175	SESSRAGE	180	1.91	
3	135B	PLATE	1	R.104109	SESSRAGE	180	1.33	
total weight (kg)								31.97

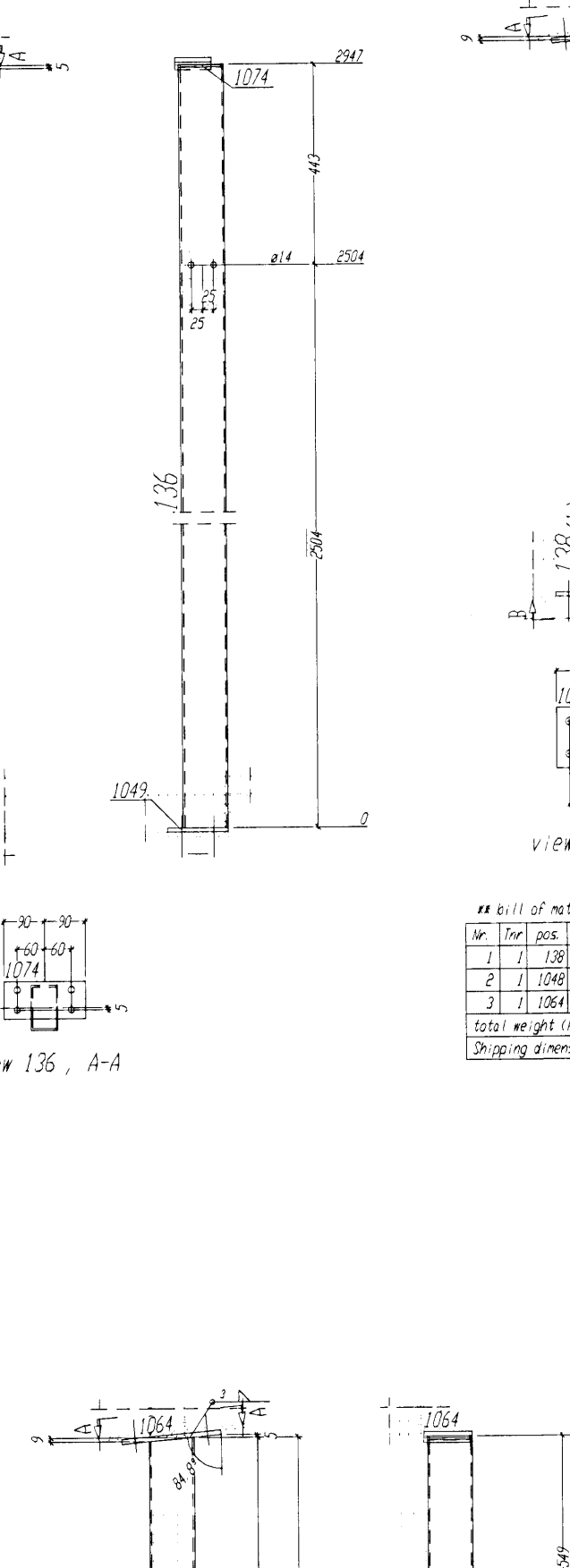
Shipping dimensions (H x B x L): 175 x 180 x 3035



Bill of material for 1 Ship-DOS 136 total 1 X done

No.	Part pos.	Description	Qty.	Profile	Quantity	Length	Weight	Item
1	136	TRACER	1	R.104100	SESSRAGE	2047	22.81	
2	136A	PLATE	1	R.104175	SESSRAGE	180	1.91	
3	136B	PLATE	1	R.104109	SESSRAGE	180	1.36	
total weight (kg)								26.08

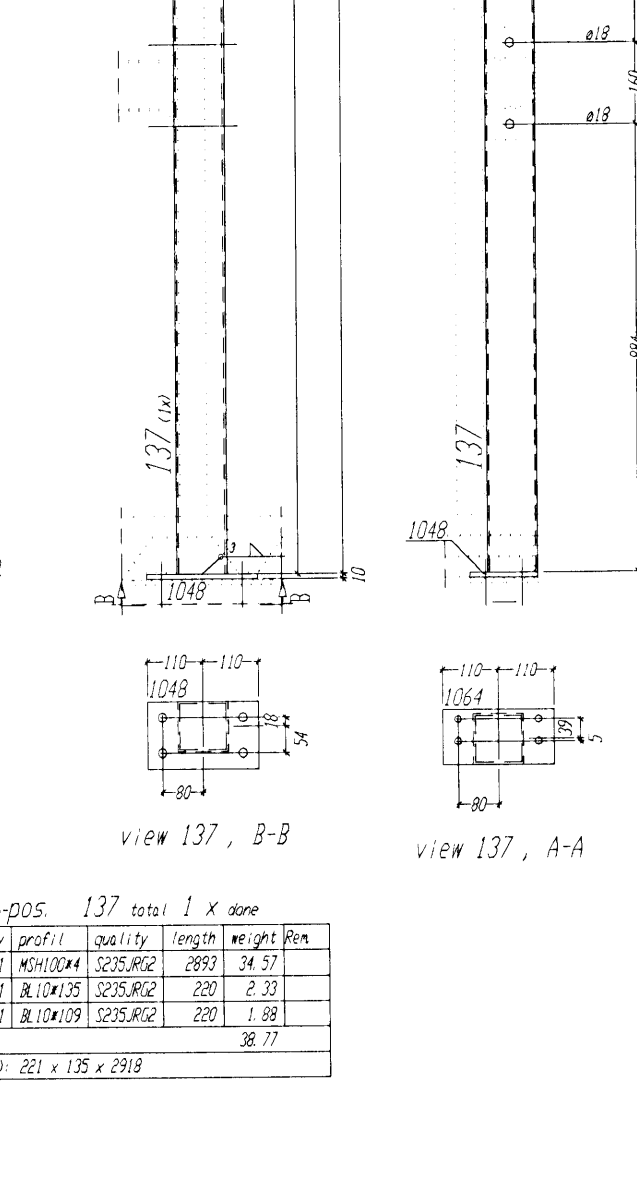
Shipping dimensions (H x B x L): 125 x 181 x 4992



Bill of material for 1 Ship-DOS 137 total 1 X done

No.	Part pos.	Description	Qty.	Profile	Quantity	Length	Weight	Item
1	137	TRACER	1	R.104100	SESSRAGE	2035	44.87	
2	137A	PLATE	1	R.104175	SESSRAGE	220	2.33	
3	137B	PLATE	1	R.104109	SESSRAGE	220	1.88	
total weight (kg)								39.07

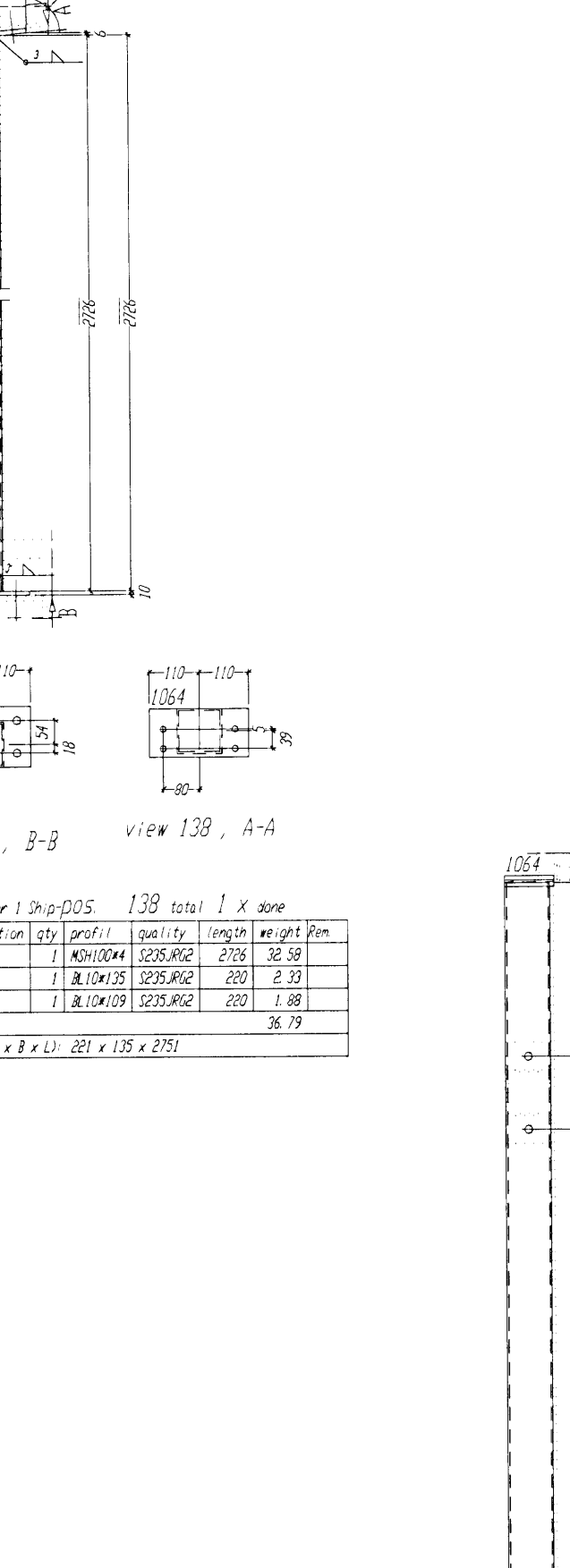
Shipping dimensions (H x B x L): 221 x 175 x 2918



Bill of material for 1 Ship-DOS 138 total 1 X done

No.	Part pos.	Description	Qty.	Profile	Quantity	Length	Weight	Item
1	138	TRACER	1	R.104100	SESSRAGE	2190	15.11	
2	138A	PLATE	1	R.104175	SESSRAGE	220	2.33	
3	138B	PLATE	1	R.104109	SESSRAGE	220	1.88	
total weight (kg)								36.79

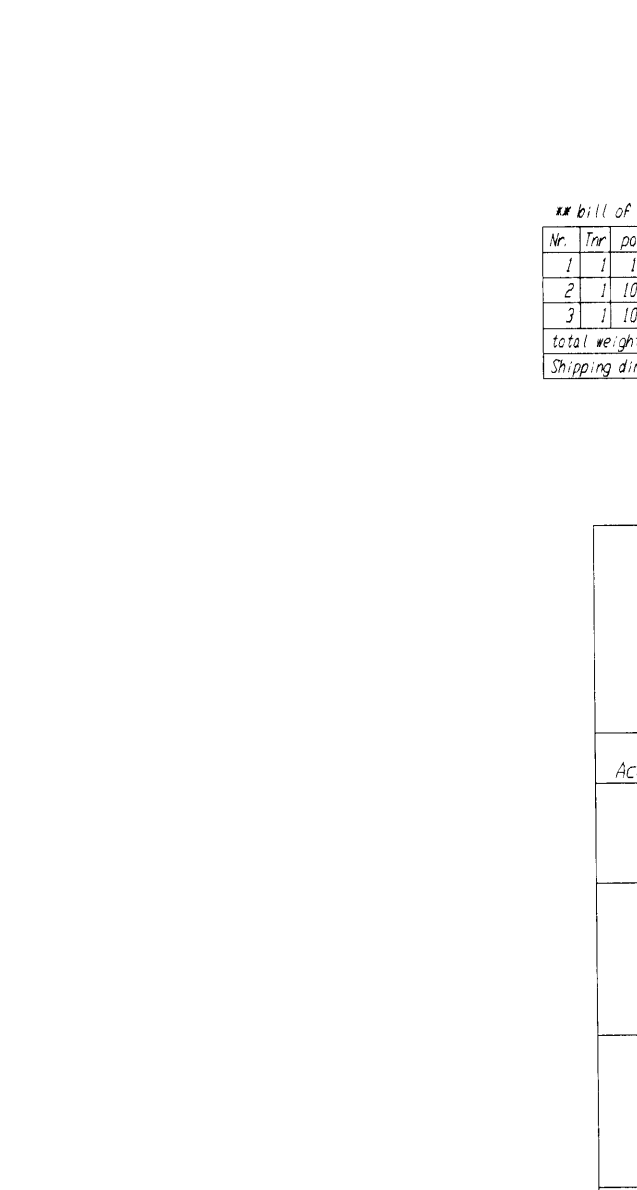
Shipping dimensions (H x B x L): 221 x 175 x 2918



Bill of material for 1 Ship-DOS 139 total 1 X done

No.	Part pos.	Description	Qty.	Profile	Quantity	Length	Weight	Item
1	139	TRACER	1	R.104100	SESSRAGE	2190	15.11	
2	139A	PLATE	1	R.104175	SESSRAGE	220	2.33	
3	139B	PLATE	1	R.104109	SESSRAGE	220	1.88	
total weight (kg)								36.79

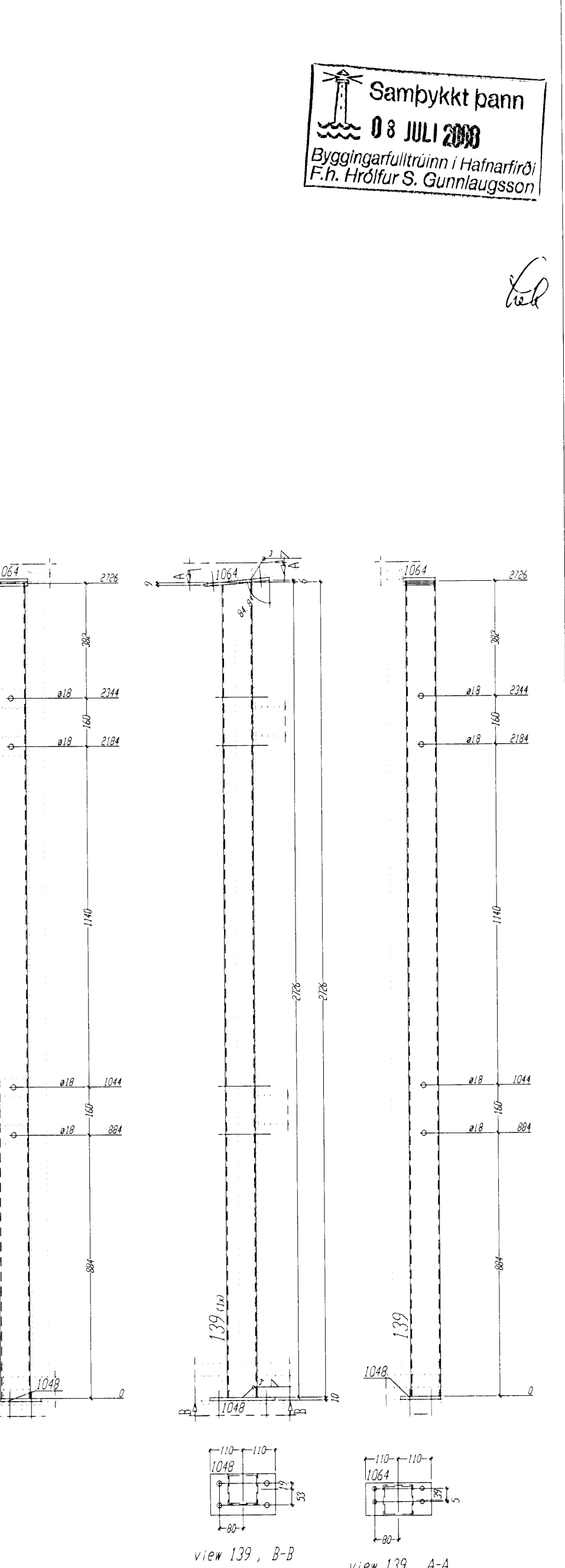
Shipping dimensions (H x B x L): 221 x 175 x 2918



Bill of material for 1 Ship-DOS 139 total 1 X done

No.	Part pos.	Description	Qty.	Profile	Quantity	Length	Weight	Item
1	139	TRACER	1	R.104100	SESSRAGE	2190	15.11	
2	139A	PLATE	1	R.104175	SESSRAGE	220	2.33	
3	139B	PLATE	1	R.104109	SESSRAGE	220	1.88	
total weight (kg)								36.79

Shipping dimensions (H x B x L): 221 x 175 x 2918



Bill of material for 1 Ship-DOS 139 total 1 X done

No.	Part pos.	Description	Qty.	Profile	Quantity	Length	Weight	Item
1	139	TRACER	1	R.104100	SESSRAGE	2190	15.11	
2	139A	PLATE	1	R.104175	SESSRAGE	220	2.33	
3	139B	PLATE	1	R.104109	SESSRAGE	220	1.88	
total weight (kg)								36.79

Shipping dimensions (H x B x L): 221 x 175 x 2918

BL, FL = PLATE
RDHR = TUBE
RUND = STEEL BAR
MSH = RHS
SCHRR = BOLT, SCREW

Tolerance for welded constructions according to DIN 970, Pt. 1+2+3+10, 87
Required torques prestressing force and force turns on angles according to DIN 1980 Pt. 1, 35, 83
Welding (P S) according to DIN EN 288 - 2

All unmarked welds to be fillet continuous s-firm thick, not greater than 0.7 d of the thinner element

The material for esp plates 120 mm thick to be assumed for laminations

Sveinbjörn Hinriksson
Byggingateknifræðingur
Marek J. Janina

Byggingateknifráttunir
Brúgata 8 Hafnarfirði
Sími: 555-4008, 861-9951
Netfang: svainh@netnet.is

Pos 126-139
-GJAHALLA 15
-221 HAFNARFJORDUR

107