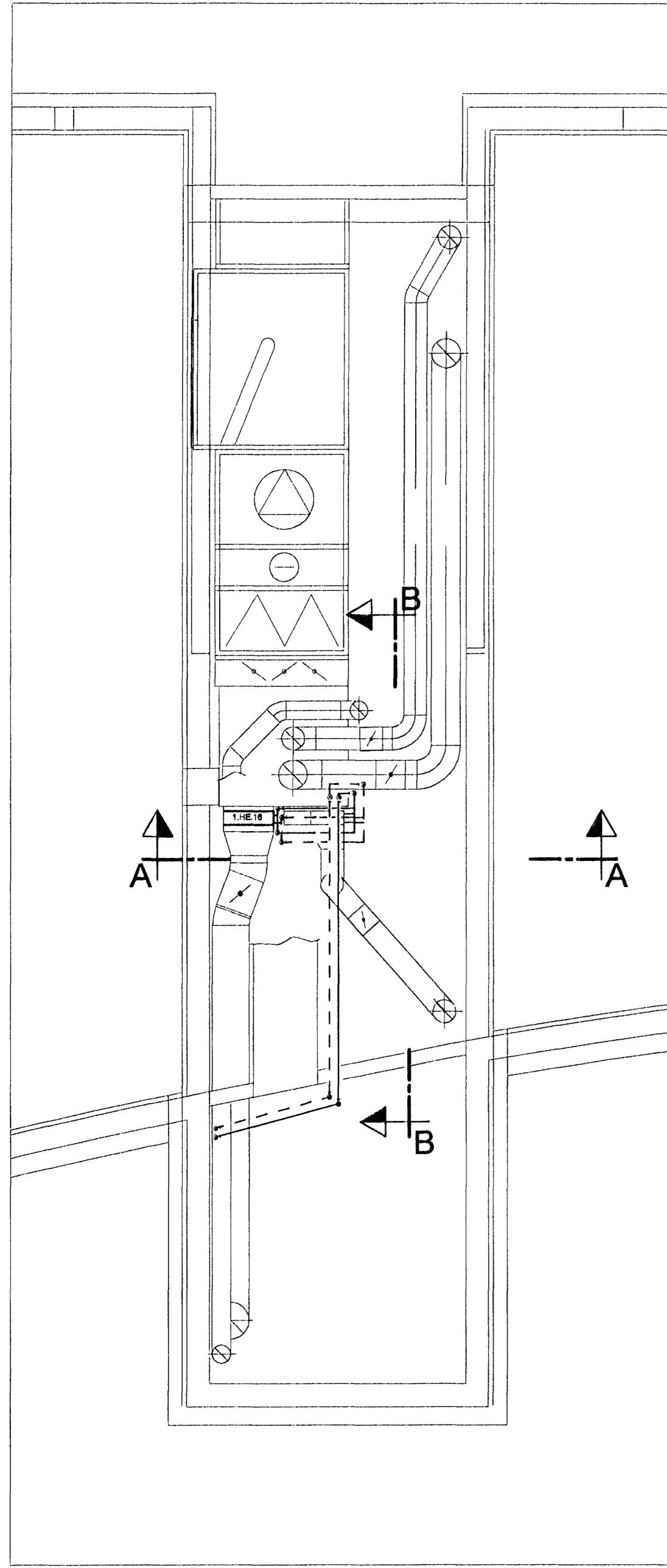


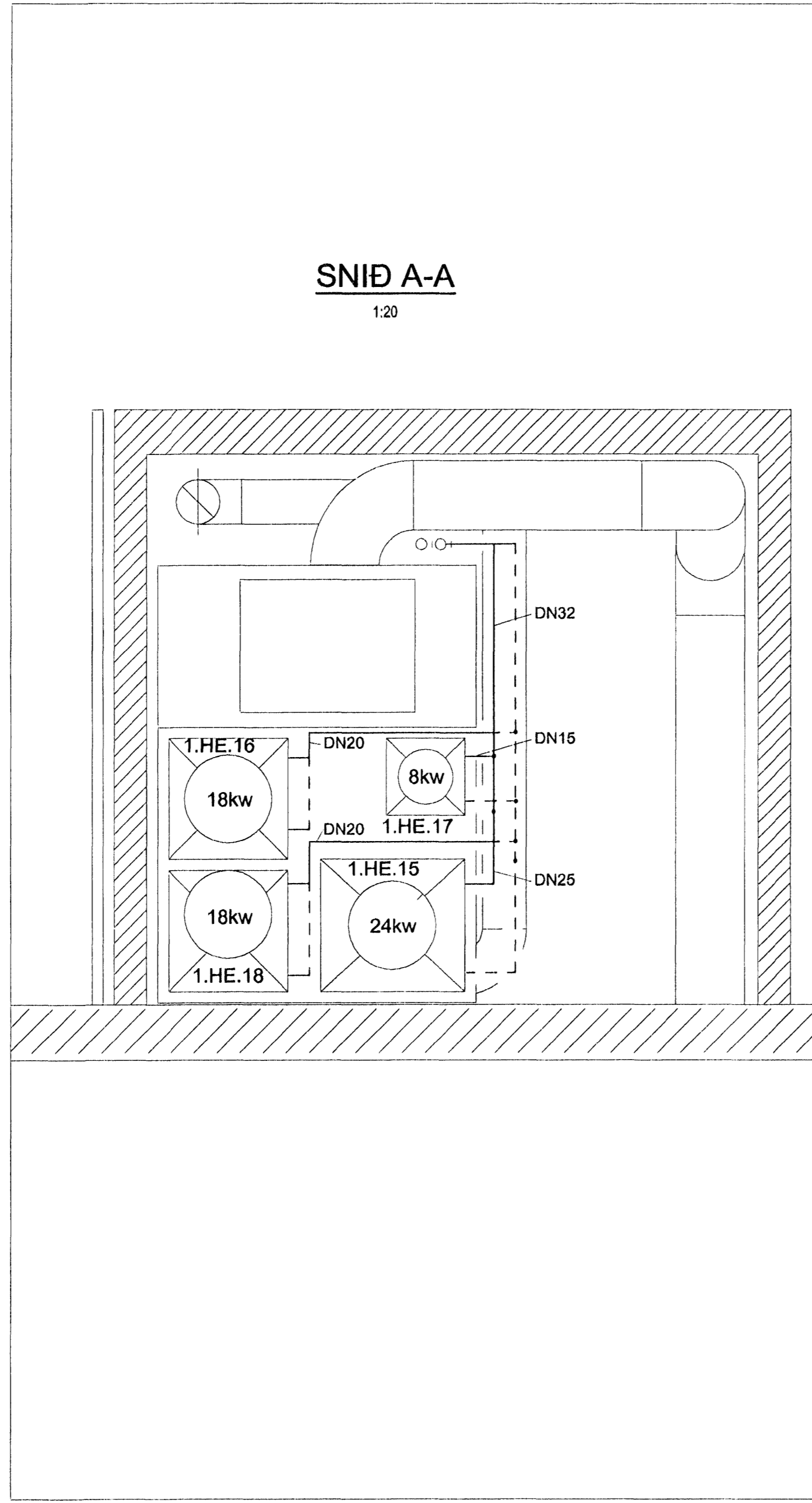
GRUNNMYND 3.HÆÐAR - HITALAGNIR

1:50



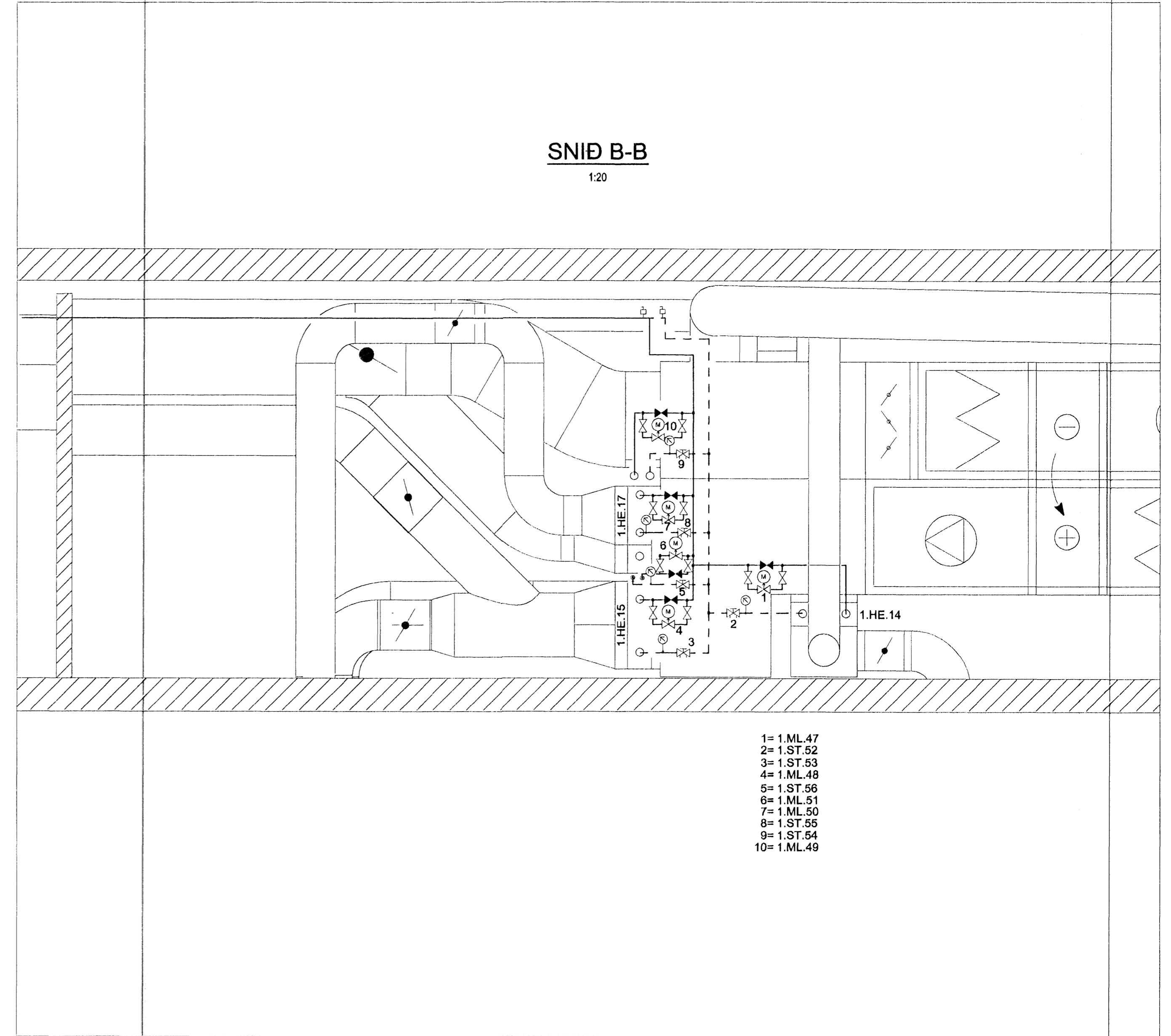
SNIÐ A-A

1:20



SNIÐ B-B

1:20



- 1= 1.ML.47
- 2= 1.ST.52
- 3= 1.ST.53
- 4= 1.ML.48
- 5= 1.ST.56
- 6= 1.ML.51
- 7= 1.ML.50
- 8= 1.ST.55
- 9= 1.ST.54
- 10= 1.ML.49

Handwritten signature
Rt. 1703/2005

01 JULI 2005
Handwritten initials

Skýringar:
Explanations:

Breyt./ Rev.	Dags/ Date	Samb. Approved	Nútt. heiml. Released
2	28.09.04	ÓS.	
1	09.09.03	RK	

Títtækningsnr. ISAL
Ref.drawing no. of ISAL

Samsætningartekning nr. ISAL
Assembly drawing no. of ISAL

This drawing is the property of the Alcan Iceland Ltd. and handed out for personal use only. It may neither be copied nor made available to others without permission of the Alcan Iceland Ltd. The receiver is liable for any misuse.

Hlutur/ Object	Atíðni/ Item	Efni/ Material	æð./stk. Weight	Ítal./í heild (Eg) / í þungi	Althugsæmdir/ Remarks
SKRIFSTOFUHÓUS ALCAN	Mhl. 94				
GRUNNMYND 3.HÆÐAR					
HITALAGNIR					
Virkni / Supplier	VGG CONSULTING ENGINEERS LTD.				
Teknað/ Drawn	ÓS	Yfirgrip/ Checked	Samb. Approved	9K-69	2
ALCAN PRIMARY METAL EUROPE	Struamevik				
ISAL	IS-222 Hafnarfordur				
				168831	2

Handwritten signature

