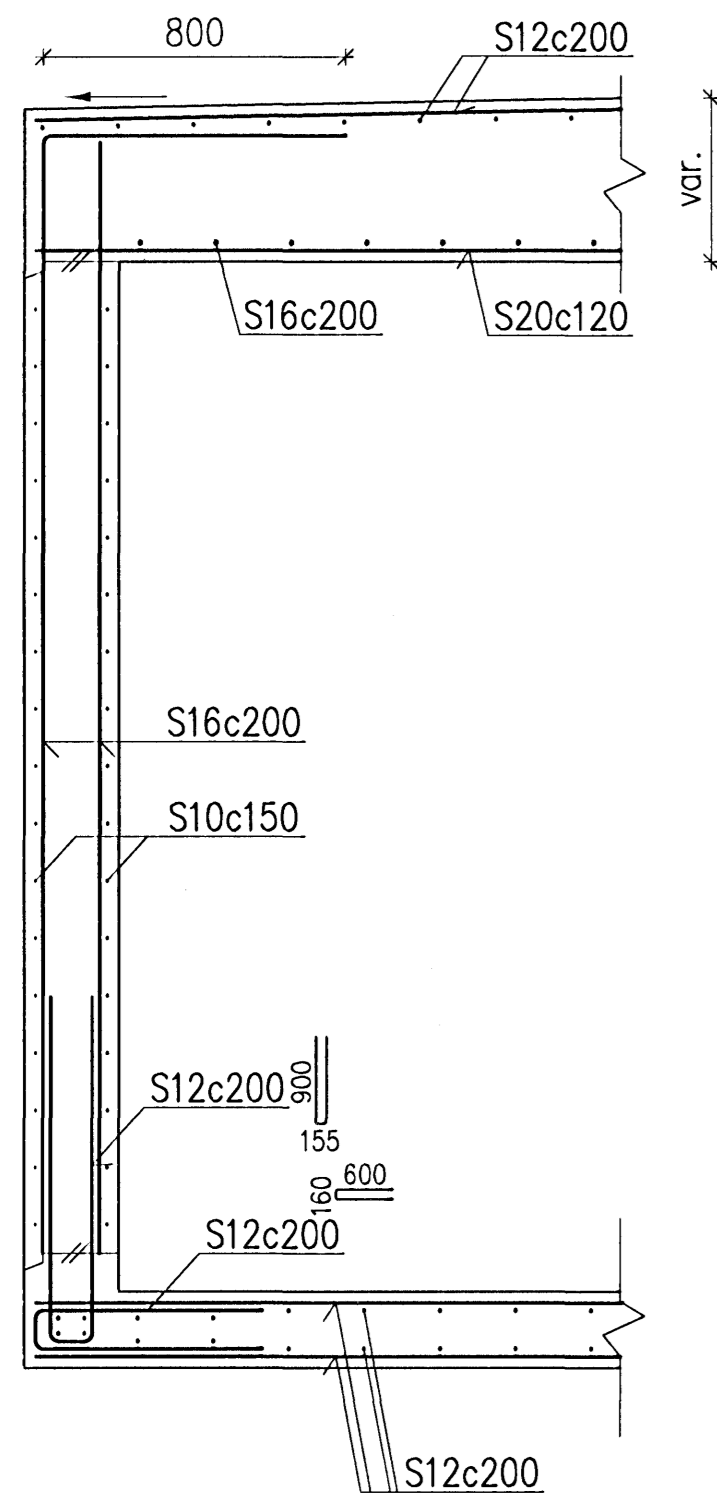
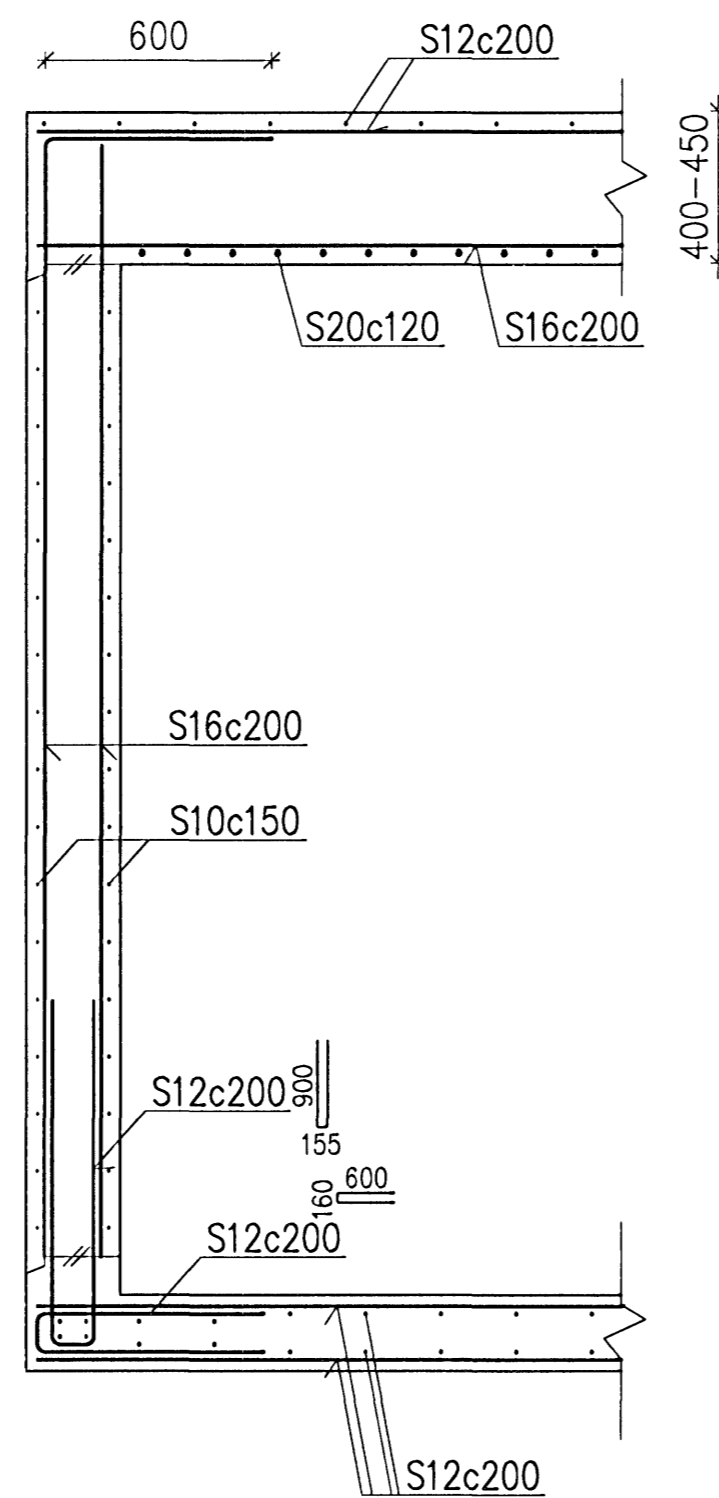


Sampykkt bann
 08 JUL 2010
 Byggingar- og Væðingarmáttak
 F.h. Sigurður Ólafur Jóhannsson

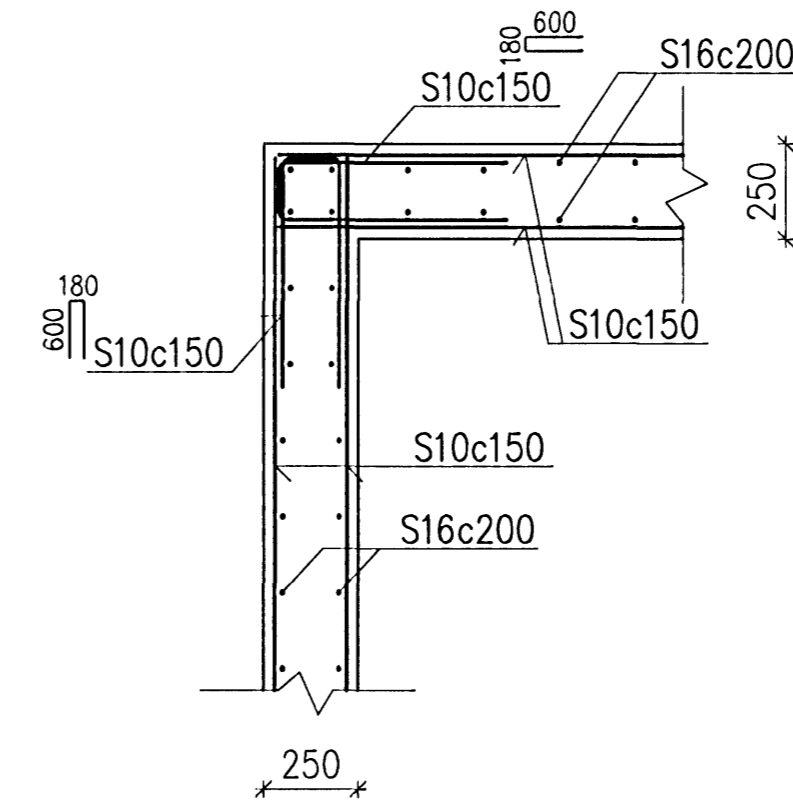
Níel Indriðsson
 18144-396A



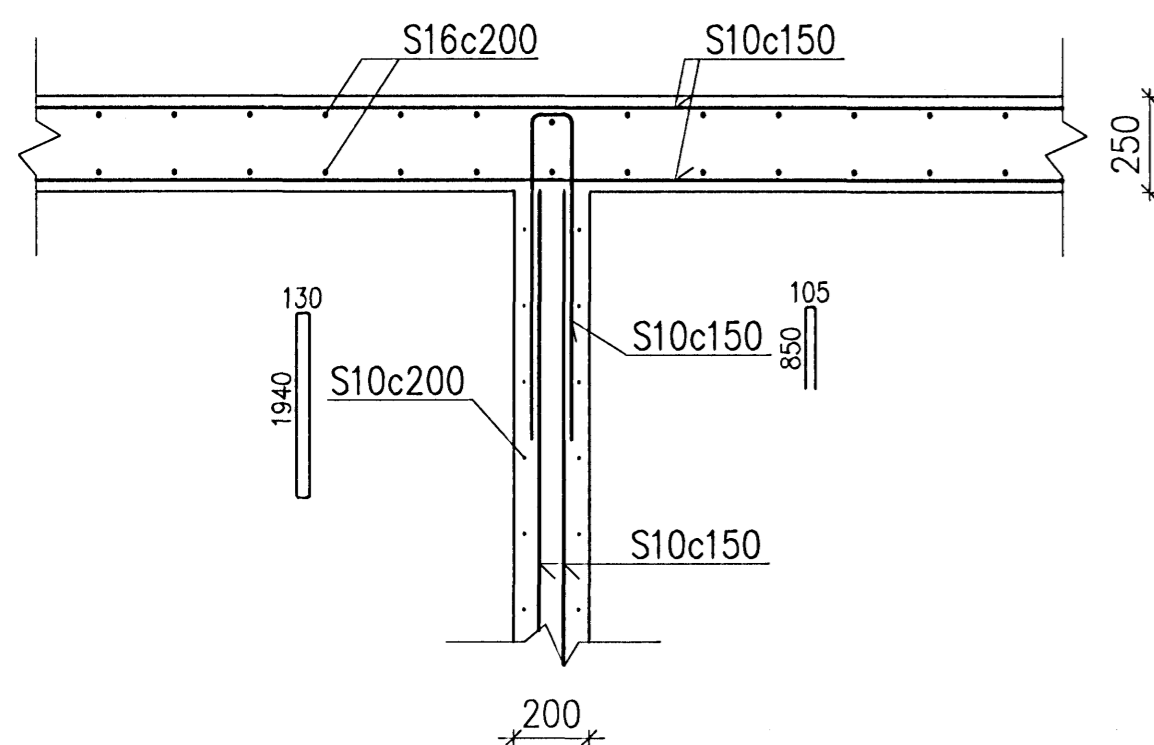
3 SECTION, 1:20
 504



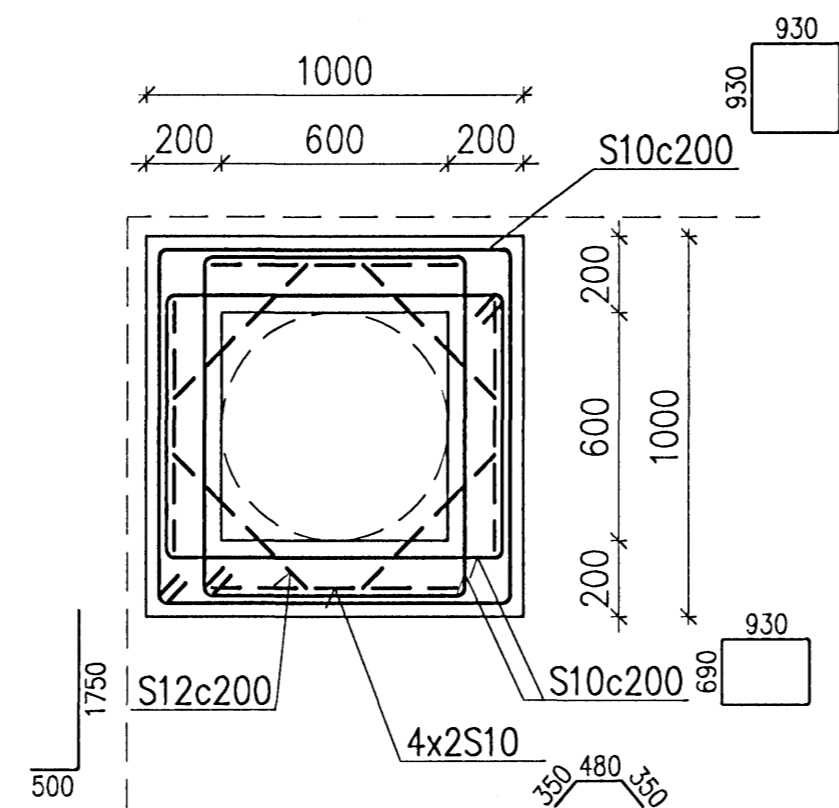
4 SECTION, 1:20
 504



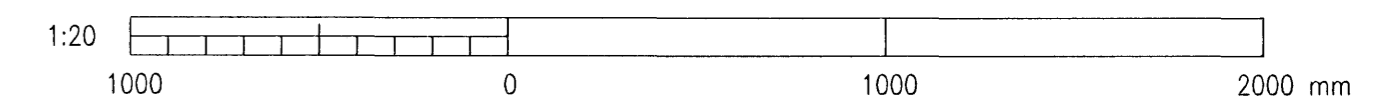
5 SECTION, 1:20
 504



6 SECTION, 1:20
 504



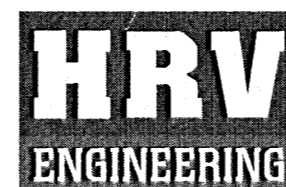
7 SECTION, 1:20
 504



Skýringar:
 Explanations:

This drawing is the property of the Rio Tinto Alcan Iceland Ltd. and handed out for personal use only. It may neither be copied nor made available to others without permission of the Rio Tinto Alcan Iceland Ltd. The receiver is liable for any misuse.

Fjöldi stúkkja Number of pieces	Hútur Object	Atriði Item	Efni Material	eo.stk Weight (kg)	total.f. heild Bygging	Athugasemdir Remarks
IV III II I	IDP 244 - WASTE WATER SUBSTATION & RECTIFIER BUILDING NEW OIL TRAP REINFORCEMENT, SECTIONS					Stærð Scale: 1:20 Kostnaður - bíðnúmer / CCna - Eq.no. 4011 AKS no.
	HRV					Tekni- og Væðingarmáttak / Drw.no. of suppl. / Drw. / Rev. IDP-244-C8-015-505 11
	LDB	2009.03.01	Yfirfarið Checked	NI	NI	Sampykkt Approved: Níel Indriðsson
	RioTinto Alcan		ISAL	Steinmálari Alcan Iceland Ltd	IS-222	1
	Tekni- og Væðingarmáttak / Drw. no. of ISAL / Tekni- og Væðingarmáttak / Drw. no. of ISAL	Yfirfarið og síðis Checked and filed				Notkun heimild Released



Tívl. teikningar nr. ISAL Ref. drawing no. of ISAL
 Samseln. teikningar nr. ISAL Assembly drawing no. of ISAL