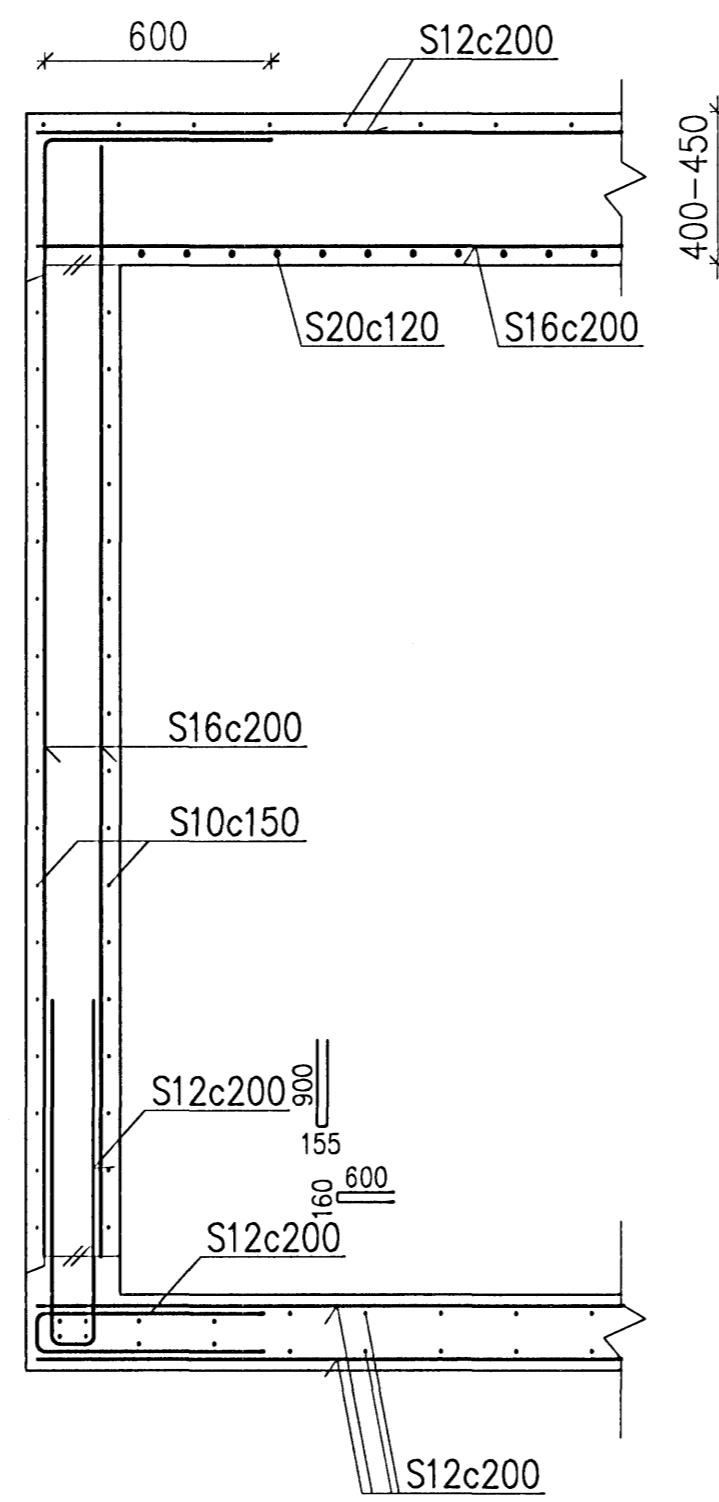
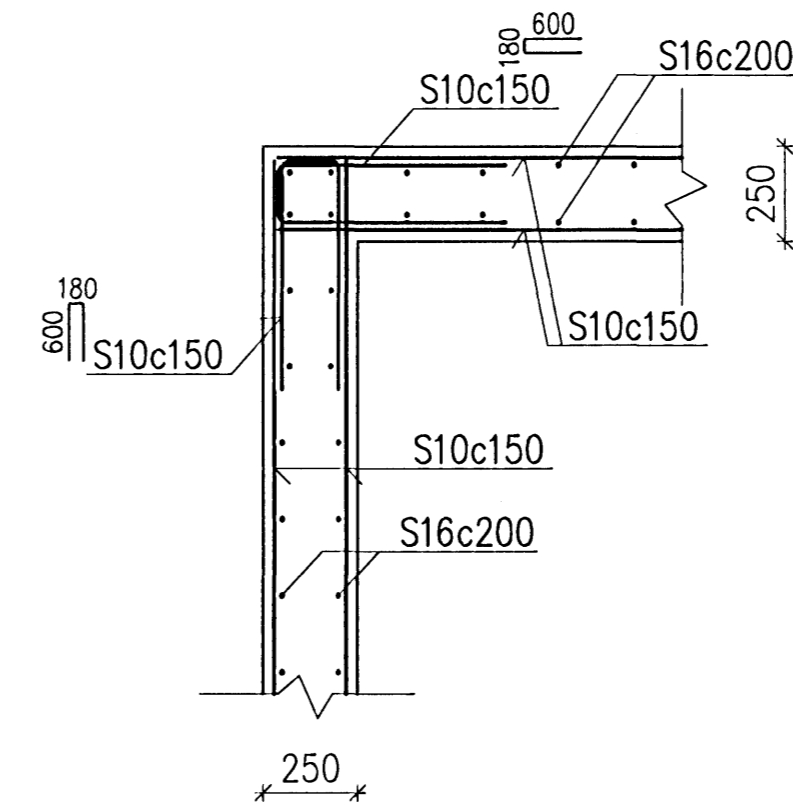


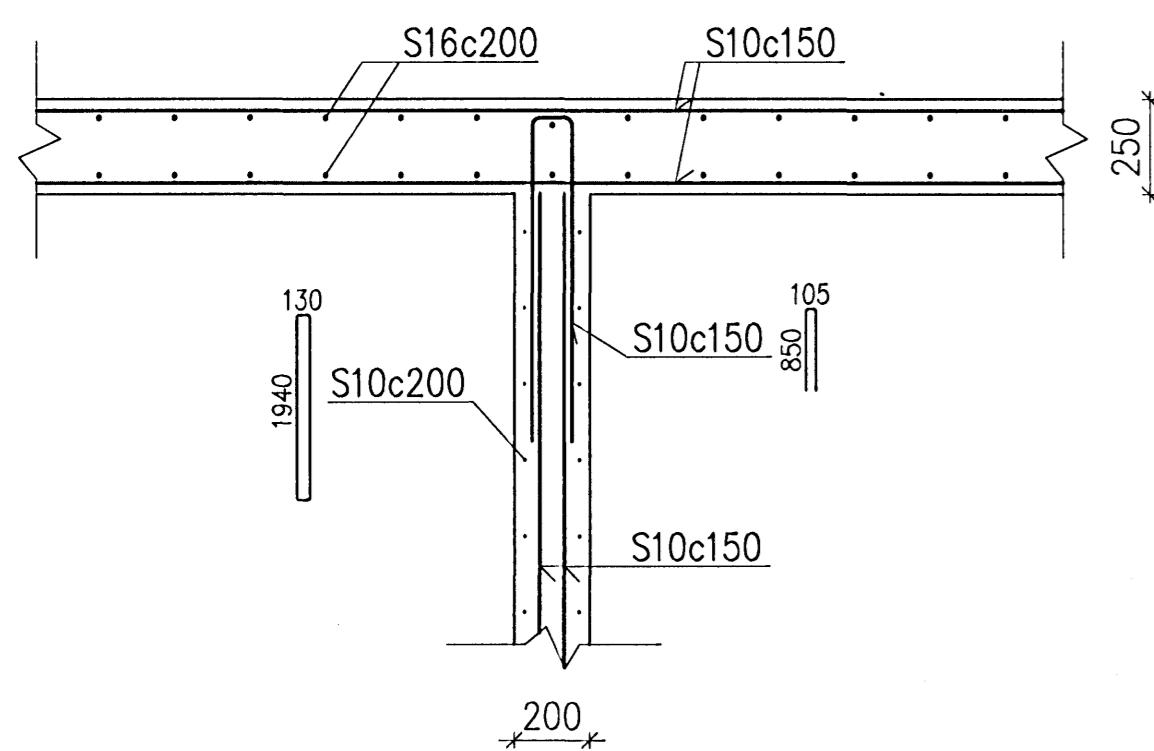
3 SECTION, 1:20
 504



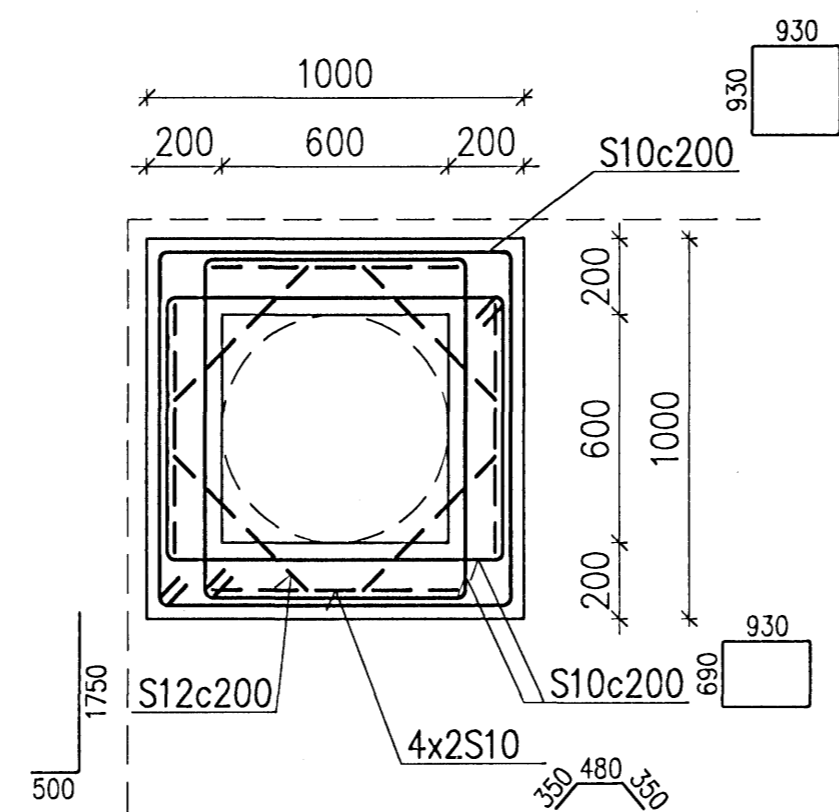
4 SECTION, 1:20
 504



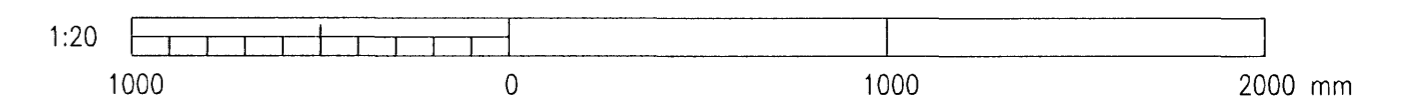
5 SECTION, 1:20
 504



6 SECTION, 1:20
 504



7 SECTION, 1:20
 504



Skýringar:
 Explanations:

This drawing is the property of the Rio Tinto Alcan Iceland Ltd and handed out for personal use only. It may neither be copied nor made available to others without permission of the Rio Tinto Alcan Iceland Ltd. The receiver is liable for any misuse.

Fjöldi stykkja Number of pieces	Hlutur Object	Alitíð Item	Efni Material	eo:stik (kg) Byrgd	Ítalaf heild Total weight	Althugsamerki Remarks
IV III II I	IDP 244 - WASTE WATER SUBSTATION & RECTIFIER BUILDING NEW OIL TRAP REINFORCEMENT, SECTIONS					Starb Formati / Mkv. Scale: A1 1:20 Kostnaður - útgáfa / CCNo - Eq.no: 4011 AKS no.
	Verktali / Supplier: HRV					Tekn.nr. verktala / Drawn of suppl: Breyt./Rev: IDP-244-C8-015-505 11
	Teknað / Drawn: LDB 2009.03.01	Yfirfarið / Checked: NI	NI	NI		Samþykkt / Approved: Níli Indriðsson
	RioTinto Alcan		Staður / Location: Alcan Iceland Ltd	ISAL		Drwno. of ISAL / Tekn.nr. ISAL: Breyt./Rev: 1
	Teknað / Drawn	Yfirfarið og síðað / Checked and filed				Notkun heimil / Released

Þívtækningar nr. ISAL Ref.drawing no. of ISAL	Samsætn.tækningar nr. ISAL Assembly drawing no. of ISAL	Dagur Date	Samb. Approved	Nösk. heimil. Released
11	Issued for Construction	2010.05.11	OS	

