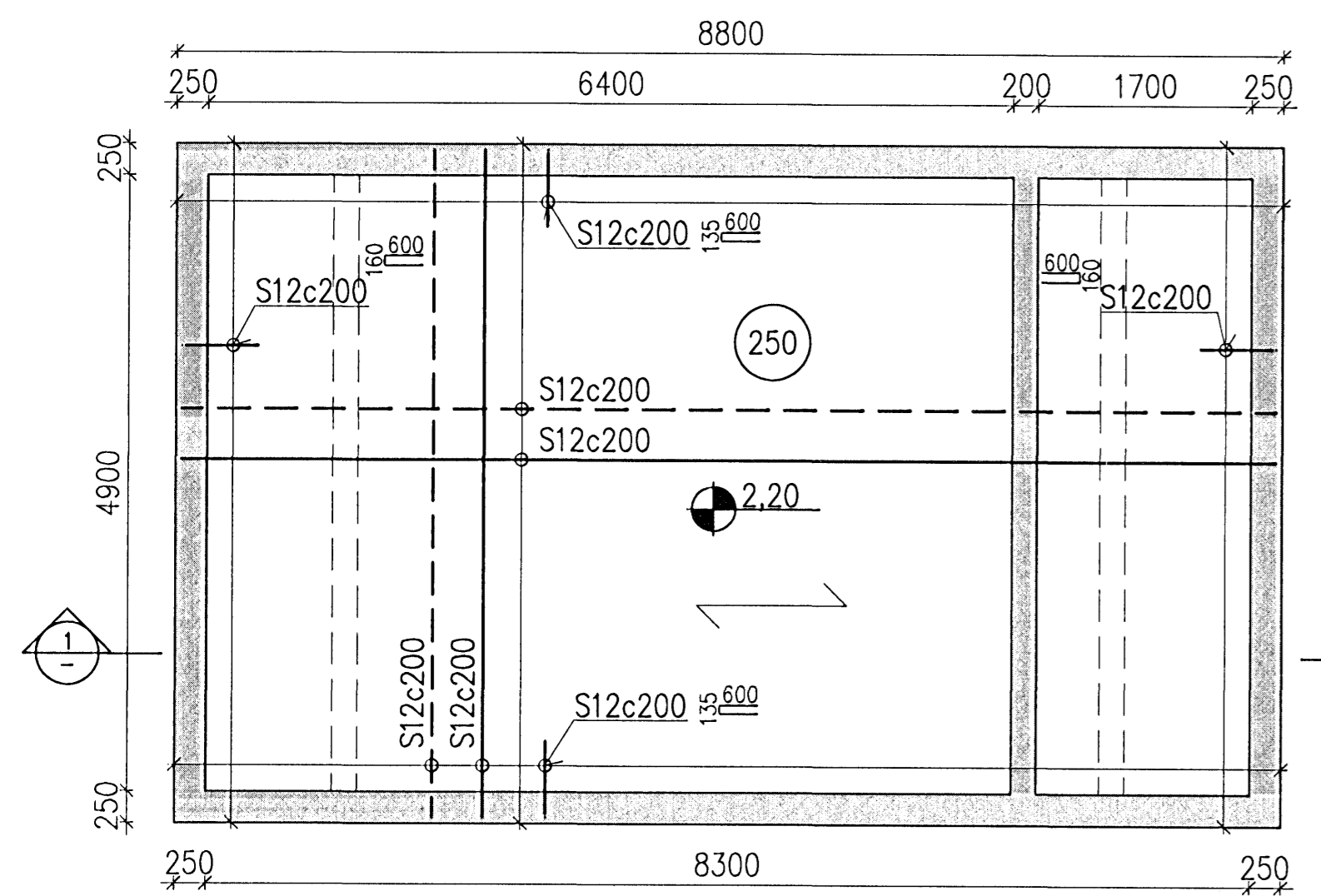
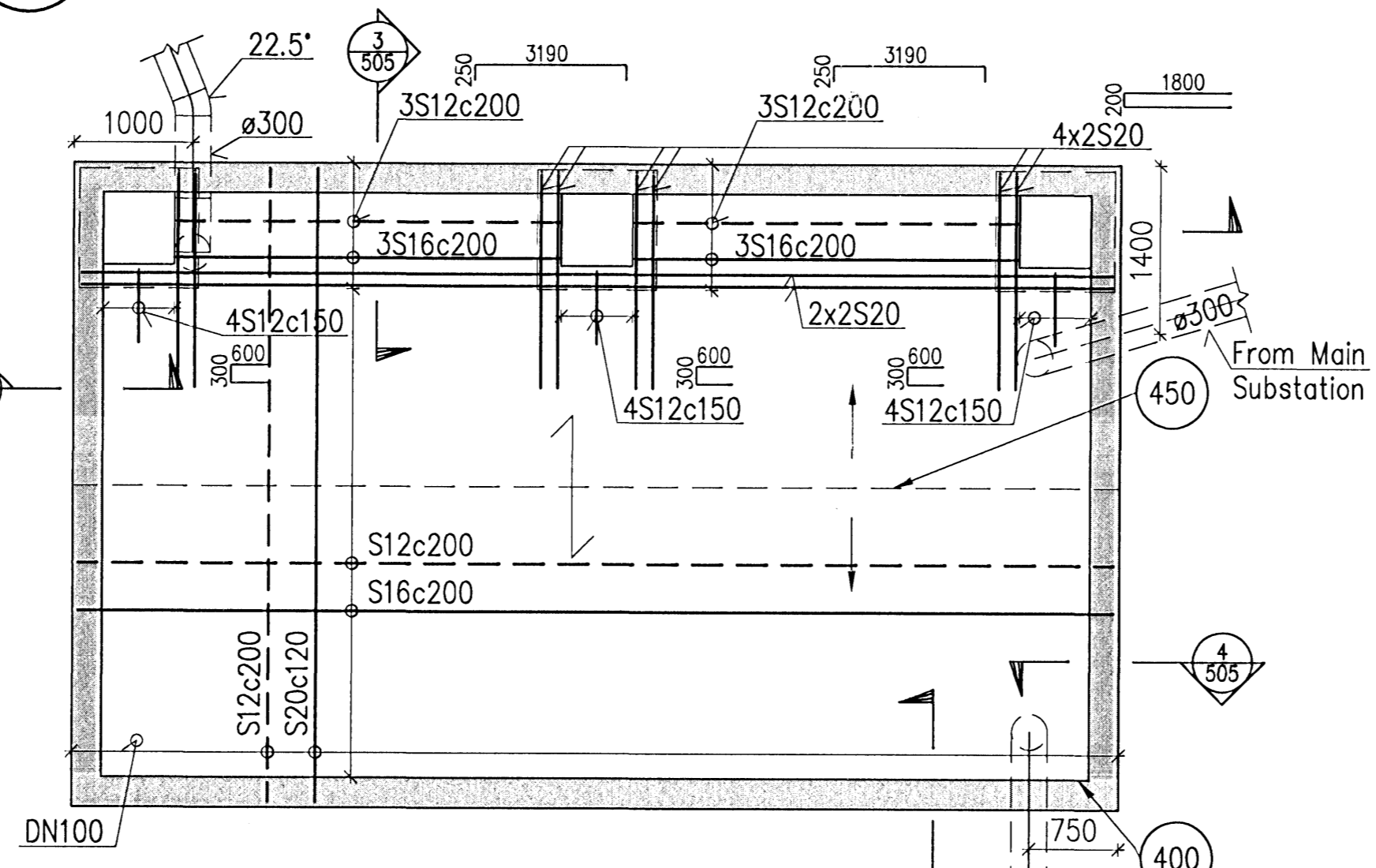


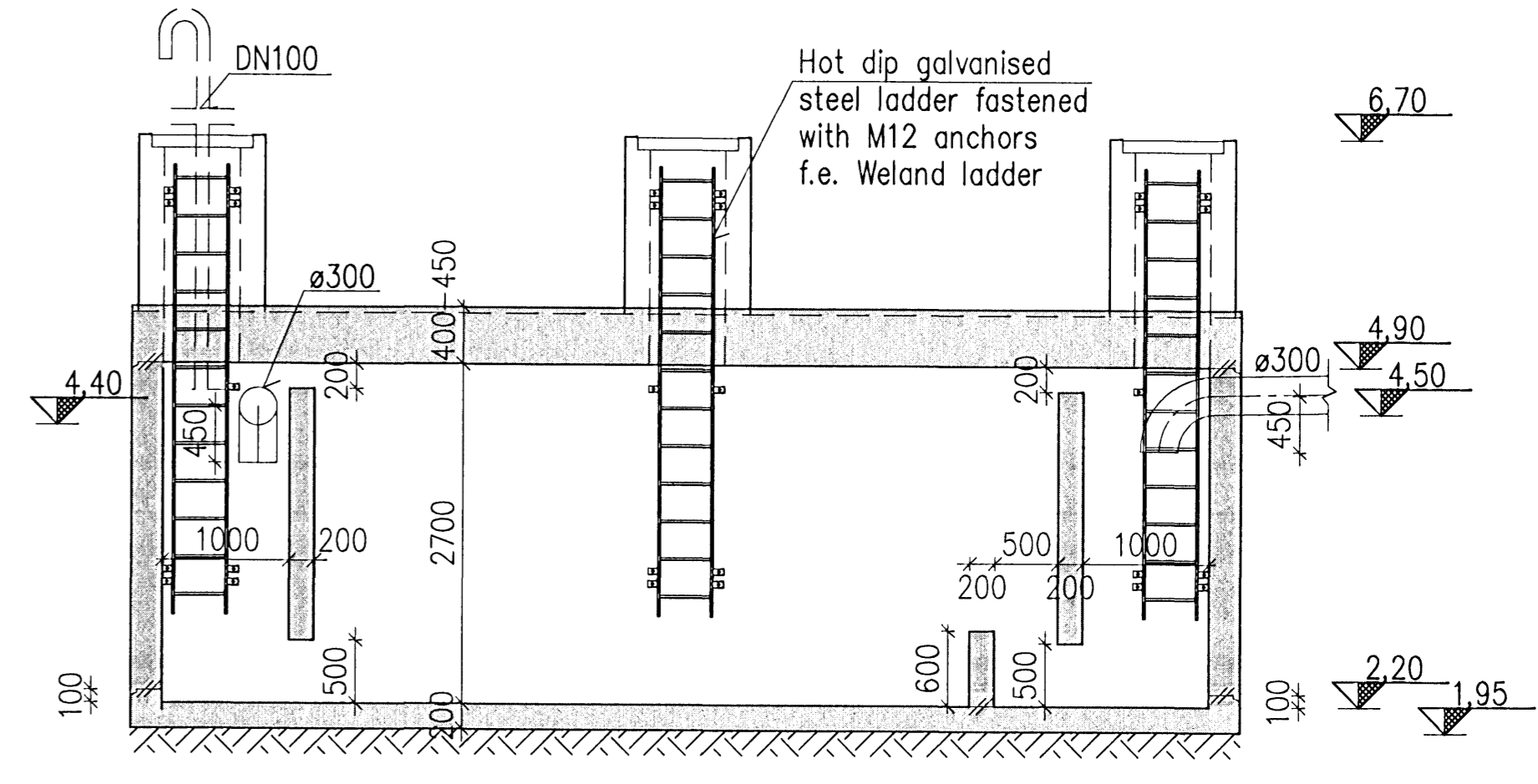
2 SECTION, 1:20



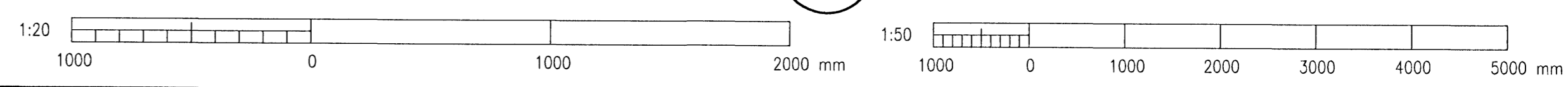
A PLAN VIEW, 1:50



B ROOF, PLAN VIEW, 1:50



1 SECTION, 1:50



Skýringar:
Explanations:

Revisión	Ástæða / Description	Dagur / Date	Stað / Status	Stöð / Checked	Stöð / Approved
12	Locations of Inlets and outlets changed due to oil trap relocation	2010.05.25	ÓS		
11	Issued for Construction	2010.05.11	ÓS		



Fjöldi stúkkja / Number of pieces: IV III II I		Húsur / Object: IDP 244 - WASTE WATER SUBSTATION & RECTIFIER BUILDING	Alm. / Item: IDP-240-C8-015-504	Efn. / Material: 12	Stærð / Size: 1:20/50
Tilv. / Supplier: HRV		Tökn. v. / Drawn. of supp. / Drawn. of supp.: 12		Tökn. / Checked: N I	
Tökn. / Drawn.: LDB 2009.03.01		Tökn. / Checked: N I		Tökn. / Approved: N I	
Tökn. / Drawn.: HRV		Tökn. / Checked: N I		Tökn. / Approved: N I	
Tökn. / Drawn.: HRV		Tökn. / Checked: N I		Tökn. / Approved: N I	