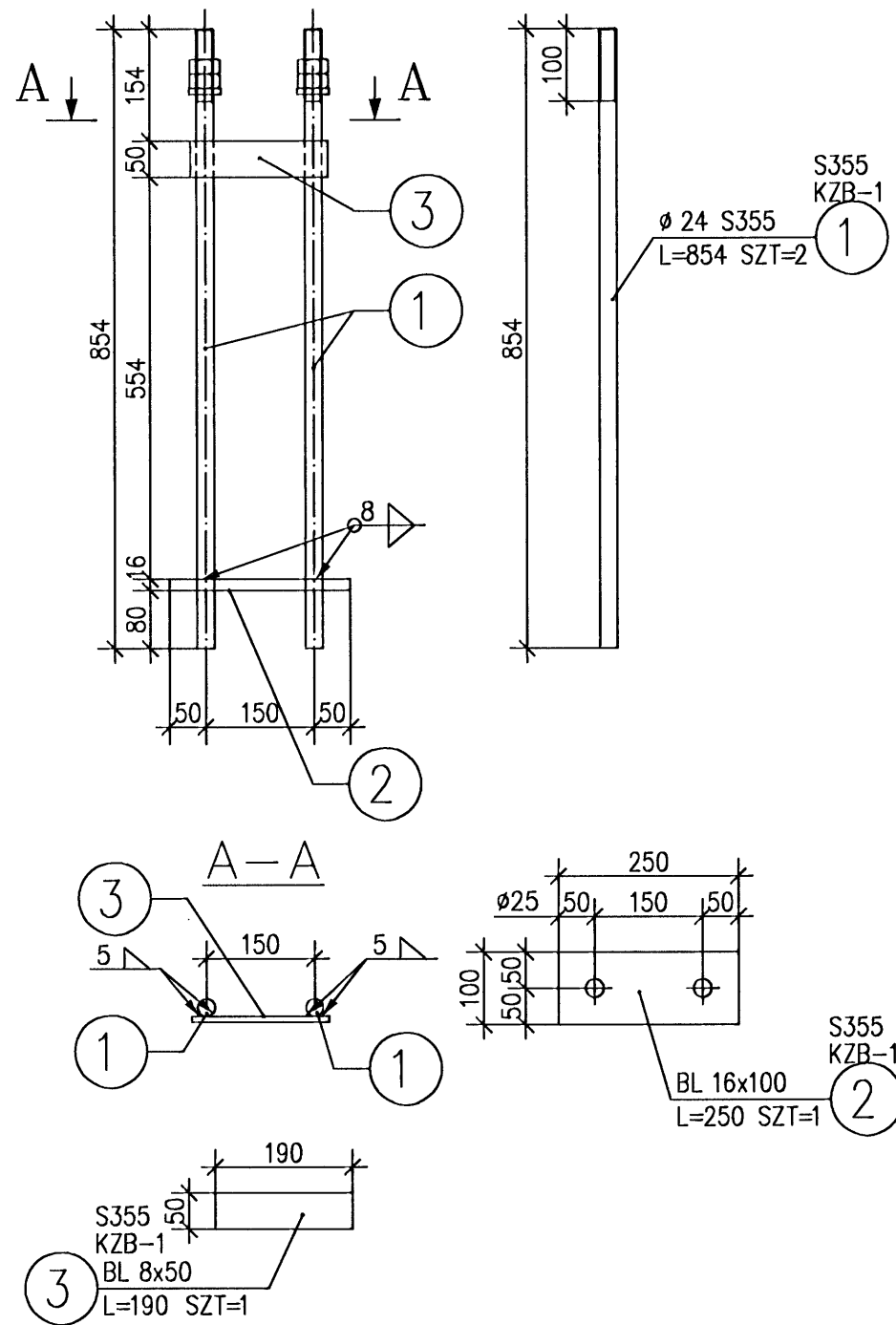


**ANCHOR Pos. KZB-1  
EXECUTE x 6**

SCALE 1:10



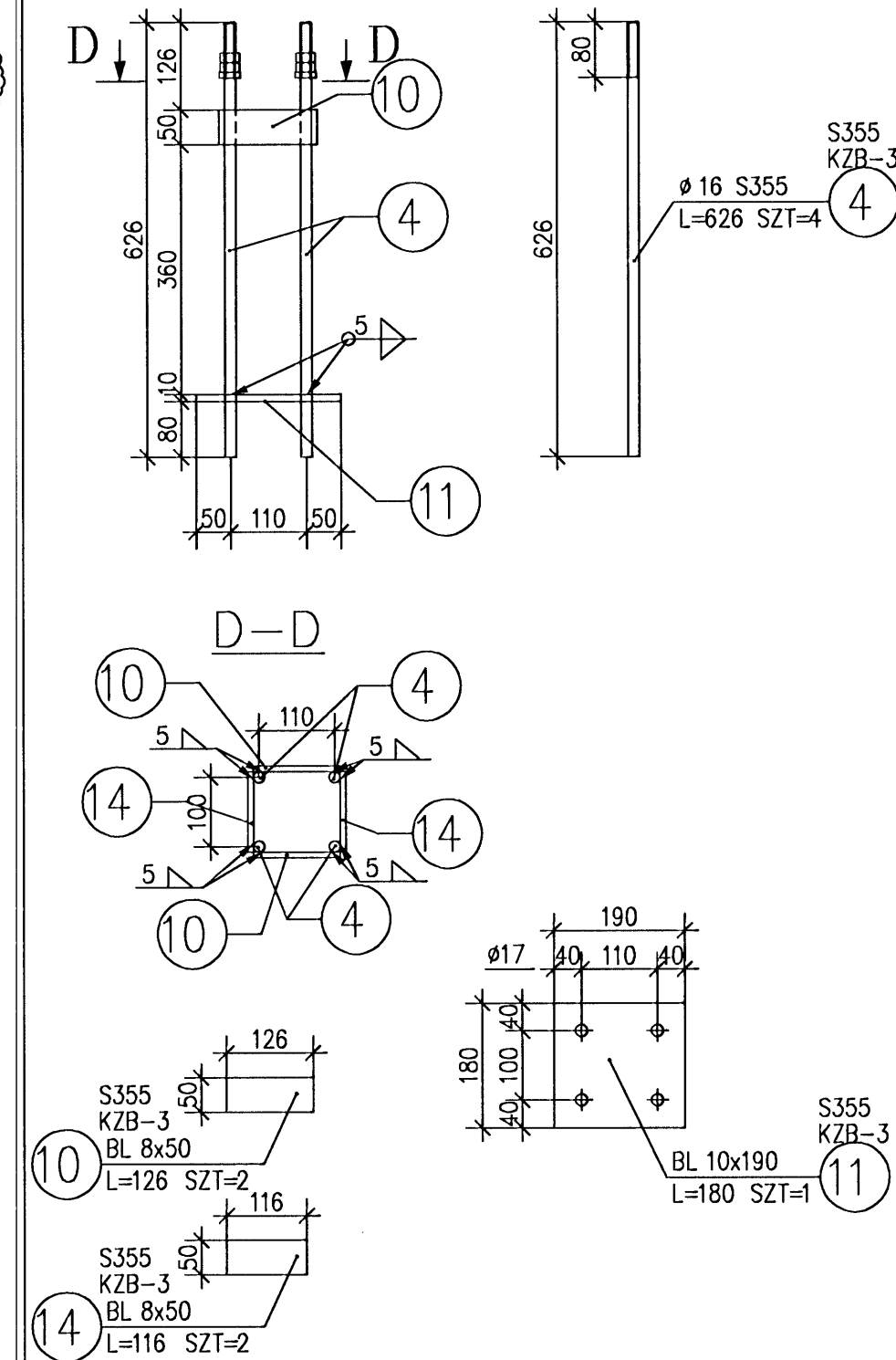
**ANCHOR Pos. KZB-2  
EXECUTE x44**

SCALE 1:10

KZB2-HILTI HAS M16x125/38 HIT HY-150 PCS.44

**ANCHOR Pos. KZB-3  
EXECUTE x8**

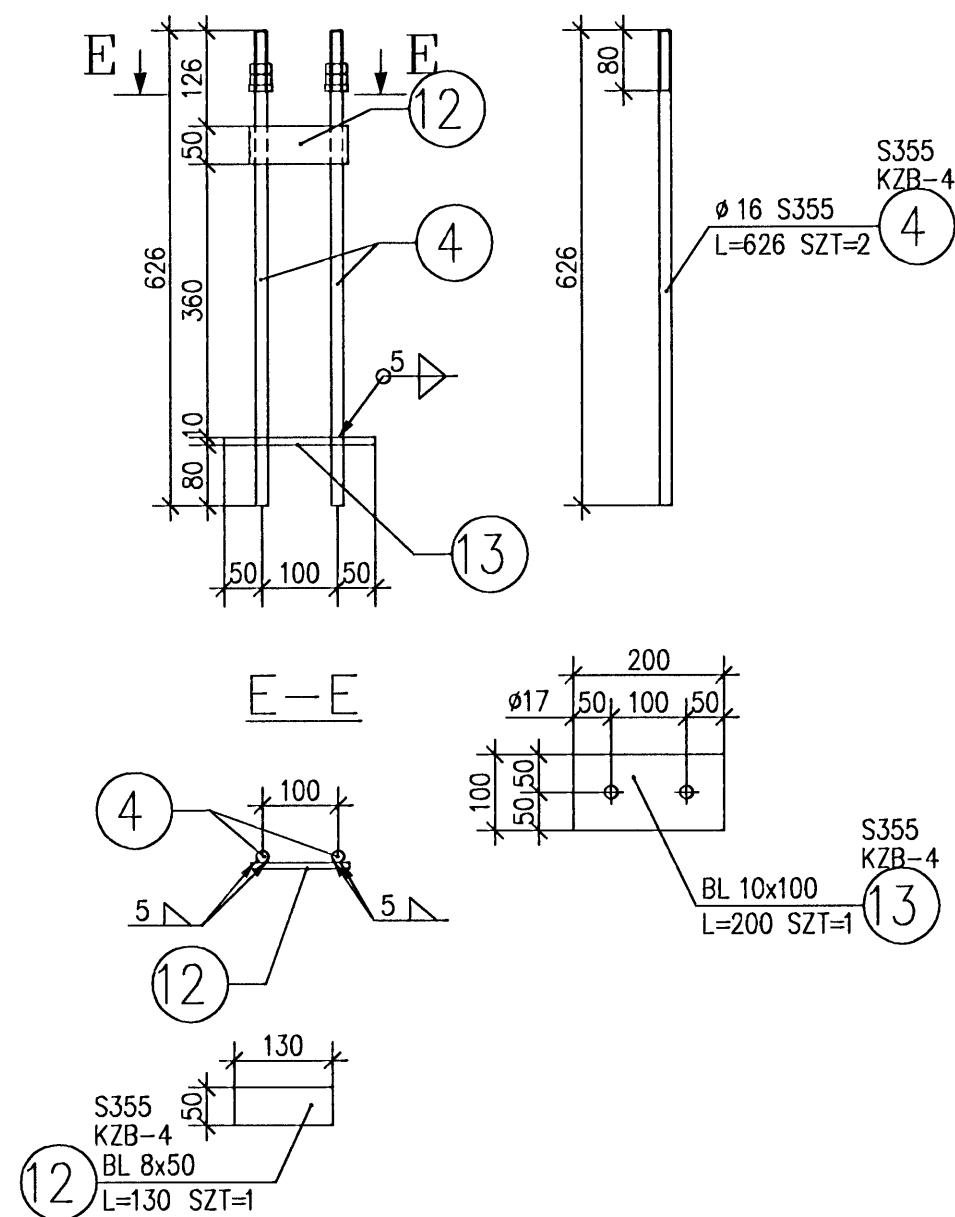
SCALE 1:10



Samþykkt þann  
11 JUNI 2008  
Byggingarfulltrúinn í Hafnarfirði  
F.h. Hrölfur S. Gunnlaugsson

**ANCHOR Pos. KZB-4  
EXECUTE x8**

SCALE 1:10



STEEL STATEMENT

| POS.                       | NUMBER OF ELEMENT | NAME OF ELEMENT | LENGTH [mm] | SORT OF STEEL | ITEMS | TOTAL LENGTH [m] | UNITARY MASS [kg/m] | MASS OF 1 ELEMENT [kg] | TOTAL MASS [kg] | UNITARY FIELD [m <sup>2</sup> /m] | FIELD OF 1 ELEMENT [m <sup>2</sup> ] | TOTAL FIELD [m <sup>2</sup> ] |
|----------------------------|-------------------|-----------------|-------------|---------------|-------|------------------|---------------------|------------------------|-----------------|-----------------------------------|--------------------------------------|-------------------------------|
| KZB-1                      | 1                 | $\phi 24$ S355  | 854         | S355          | 2     | 1.71             | 3.55                | 3.03                   | 6.07            | 0.08                              | 0.06                                 | 0.13                          |
| KZB-1                      | 2                 | BL 16x100       | 250         | S355          | 1     | 0.25             | 12.56               | 3.14                   | 3.14            | 0.23                              | 0.06                                 | 0.06                          |
| KZB-1                      | 3                 | BL 8x50         | 190         | S355          | 1     | 0.19             | 3.14                | 0.60                   | 0.60            | 0.12                              | 0.02                                 | 0.02                          |
| TOTAL                      |                   |                 |             |               |       |                  |                     |                        | 9.81            |                                   |                                      | 0.21                          |
| ALLOWANCE CONC. WELDS 1.8% |                   |                 |             |               |       |                  |                     |                        | 0.18            |                                   |                                      | 0                             |
| GENERAL                    |                   |                 |             |               |       |                  |                     |                        | 9.99            |                                   |                                      | 0.21                          |
| MADE: x 6                  |                   |                 |             |               |       |                  |                     |                        | 59.94           |                                   |                                      | 1.26                          |

STEEL STATEMENT

| POS.                       | NUMBER OF ELEMENT | NAME OF ELEMENT | LENGTH [mm] | SORT OF STEEL | ITEMS | TOTAL LENGTH [m] | UNITARY MASS [kg/m] | MASS OF 1 ELEMENT [kg] | TOTAL MASS [kg] | UNITARY FIELD [m <sup>2</sup> /m] | FIELD OF 1 ELEMENT [m <sup>2</sup> ] | TOTAL FIELD [m <sup>2</sup> ] |
|----------------------------|-------------------|-----------------|-------------|---------------|-------|------------------|---------------------|------------------------|-----------------|-----------------------------------|--------------------------------------|-------------------------------|
| KZB-3                      | 4                 | $\phi 16$ S355  | 626         | S355          | 4     | 2.50             | 1.58                | 0.99                   | 3.95            | 0.05                              | 0.03                                 | 0.13                          |
| KZB-3                      | 10                | BL 8x50         | 126         | S355          | 2     | 0.25             | 3.14                | 0.40                   | 0.79            | 0.12                              | 0.01                                 | 0.03                          |
| KZB-3                      | 11                | BL 10x190       | 180         | S355          | 1     | 0.18             | 14.92               | 2.68                   | 2.68            | 0.40                              | 0.07                                 | 0.07                          |
| KZB-3                      | 14                | BL 8x50         | 116         | S355          | 2     | 0.23             | 3.14                | 0.36                   | 0.73            | 0.12                              | 0.01                                 | 0.03                          |
| TOTAL                      |                   |                 |             |               |       |                  |                     |                        | 8.15            |                                   |                                      | 0.26                          |
| ALLOWANCE CONC. WELDS 1.8% |                   |                 |             |               |       |                  |                     |                        | 0.15            |                                   |                                      | 0                             |
| GENERAL                    |                   |                 |             |               |       |                  |                     |                        | 8.3             |                                   |                                      | 0.26                          |
| MADE: x 8                  |                   |                 |             |               |       |                  |                     |                        | 66.4            |                                   |                                      | 2.08                          |

STEEL STATEMENT

| POS.                       | NUMBER OF ELEMENT | NAME OF ELEMENT | LENGTH [mm] | SORT OF STEEL | ITEMS | TOTAL LENGTH [m] | UNITARY MASS [kg/m] | MASS OF 1 ELEMENT [kg] | TOTAL MASS [kg] | UNITARY FIELD [m <sup>2</sup> /m] | FIELD OF 1 ELEMENT [m <sup>2</sup> ] | TOTAL FIELD [m <sup>2</sup> ] |
|----------------------------|-------------------|-----------------|-------------|---------------|-------|------------------|---------------------|------------------------|-----------------|-----------------------------------|--------------------------------------|-------------------------------|
| KZB-4                      | 4                 | $\phi 16$ S355  | 626         | S355          | 2     | 1.25             | 1.58                | 0.99                   | 1.98            | 0.05                              | 0.03                                 | 0.06                          |
| KZB-4                      | 12                | BL 8x50         | 130         | S355          | 1     | 0.13             | 3.14                | 0.41                   | 0.41            | 0.12                              | 0.02                                 | 0.02                          |
| KZB-4                      | 13                | BL 10x100       | 200         | S355          | 1     | 0.20             | 7.85                | 1.57                   | 1.57            | 0.22                              | 0.04                                 | 0.04                          |
| TOTAL                      |                   |                 |             |               |       |                  |                     |                        | 3.96            |                                   |                                      | 0.12                          |
| ALLOWANCE CONC. WELDS 1.8% |                   |                 |             |               |       |                  |                     |                        | 0.07            |                                   |                                      | 0                             |
| GENERAL                    |                   |                 |             |               |       |                  |                     |                        | 4.03            |                                   |                                      | 0.12                          |
| MADE: x 8                  |                   |                 |             |               |       |                  |                     |                        | 32.24           |                                   |                                      | 0.96                          |

**Línuhönnun**  
consulting engineers  
Sudurlandsbraut 4A, IS-108 Reykjavík  
tel: +354 595 1500, fax: +354 595 1501  
Gleimurinn 06/055-5259

|   |                     |   |
|---|---------------------|---|
| B   | 06.03.2008          | CHANGES ARE MARKED BY THE CLOUDS                        |
| A   | 25.01.2008          | CHANGES ARE MARKED BY THE CLOUDS                        |
| Revision  | Date                | Change  |
| Documentation Stage: Construction design  |                     | Branch: Steel Construction                              |
| Date: 2007-12-31  |                     | Drawing name: ANCHOR POS.KZB-1, KZB-2, POS.KZB-3, KZB-4 |
| Object, Name and Address:   |                     | Scale: 1:10   |
| <p><b>RUUKKI</b><br/>Ruukki Construction Polska Sp. z o.o.<br/>ul. Towarowa 35 tel. +48 81 85 12 300<br/>61-608 Poznań fax +48 81 85 12 310<br/>POLSKA www.ruukki.com/pl</p> <p><b>Finnmap Polska</b><br/>FMC GROUP<br/>ul. Wyszyńskiego 1/1 tel. +48 89 533 31 42<br/>10-457 Olsztyn fax +48 89 533 31 42<br/>POLSKA www.fmcgroup.pl</p> |                     |   |
| Designed by   | Piotr Walosik       | Project No.: 02.1000                                    |
| Prepared by   | Bartosz Regulski    | Drawing No.: 004  |
| Verified by:  | Krzysztof Bednarski | Rev: B  |

*ADAM H.*  
*Jan S. [Signature]*