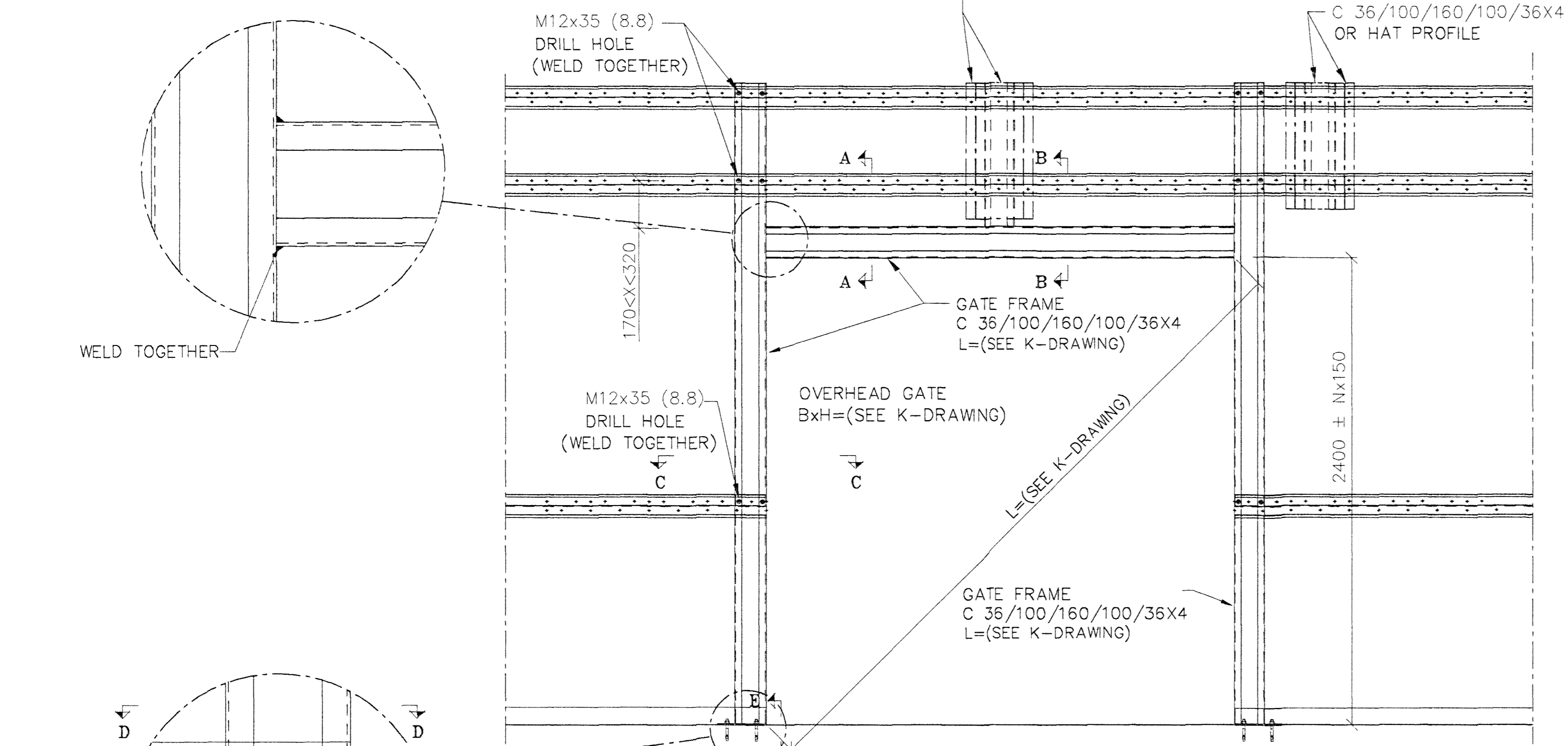
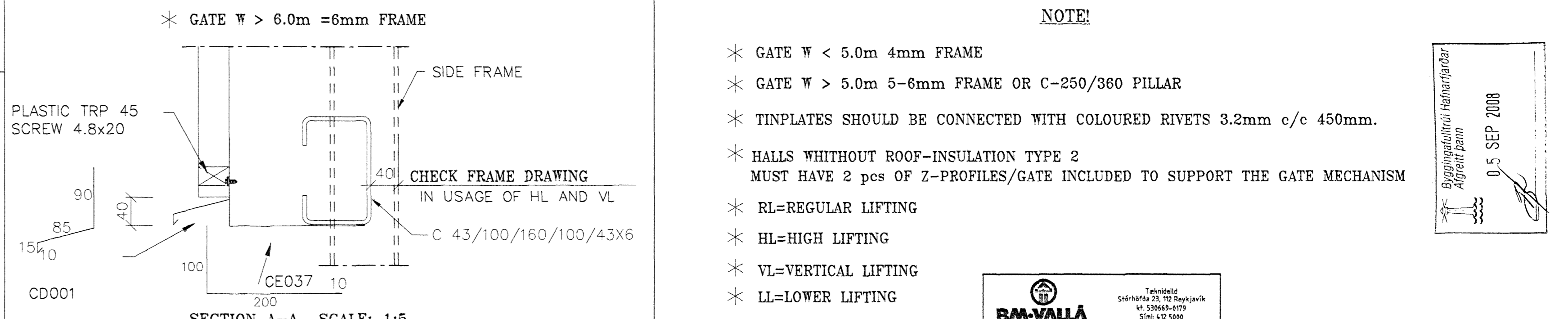
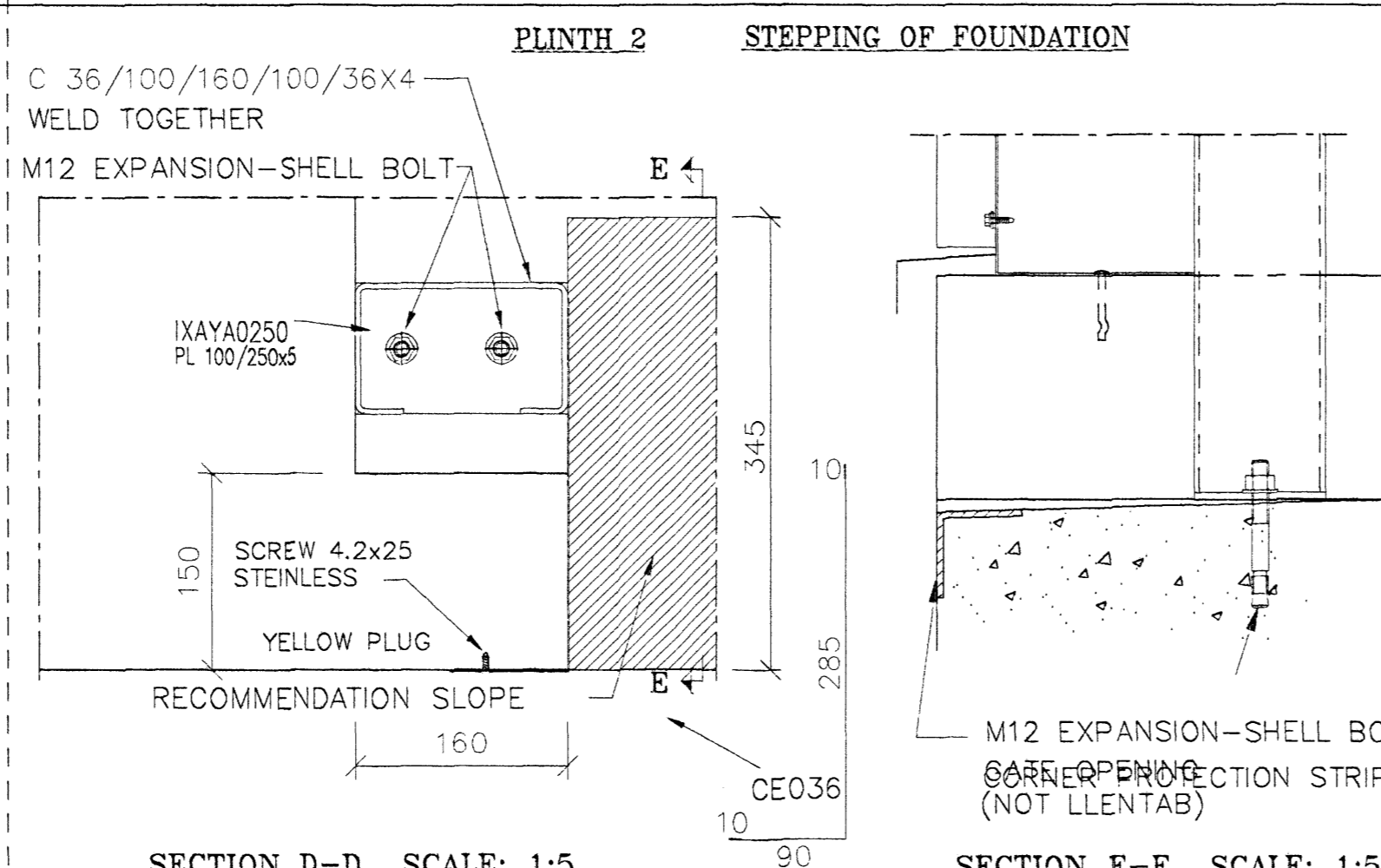
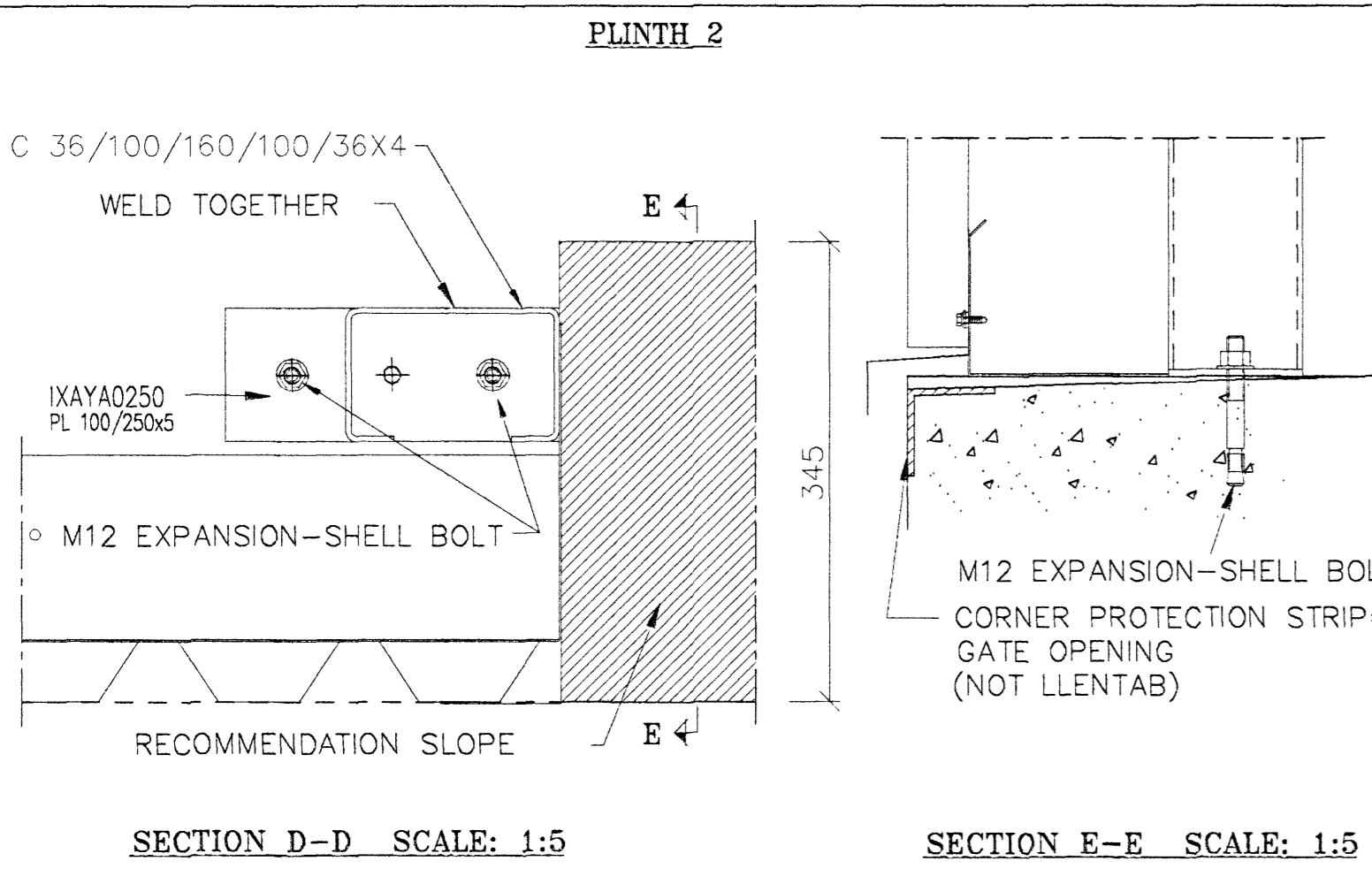
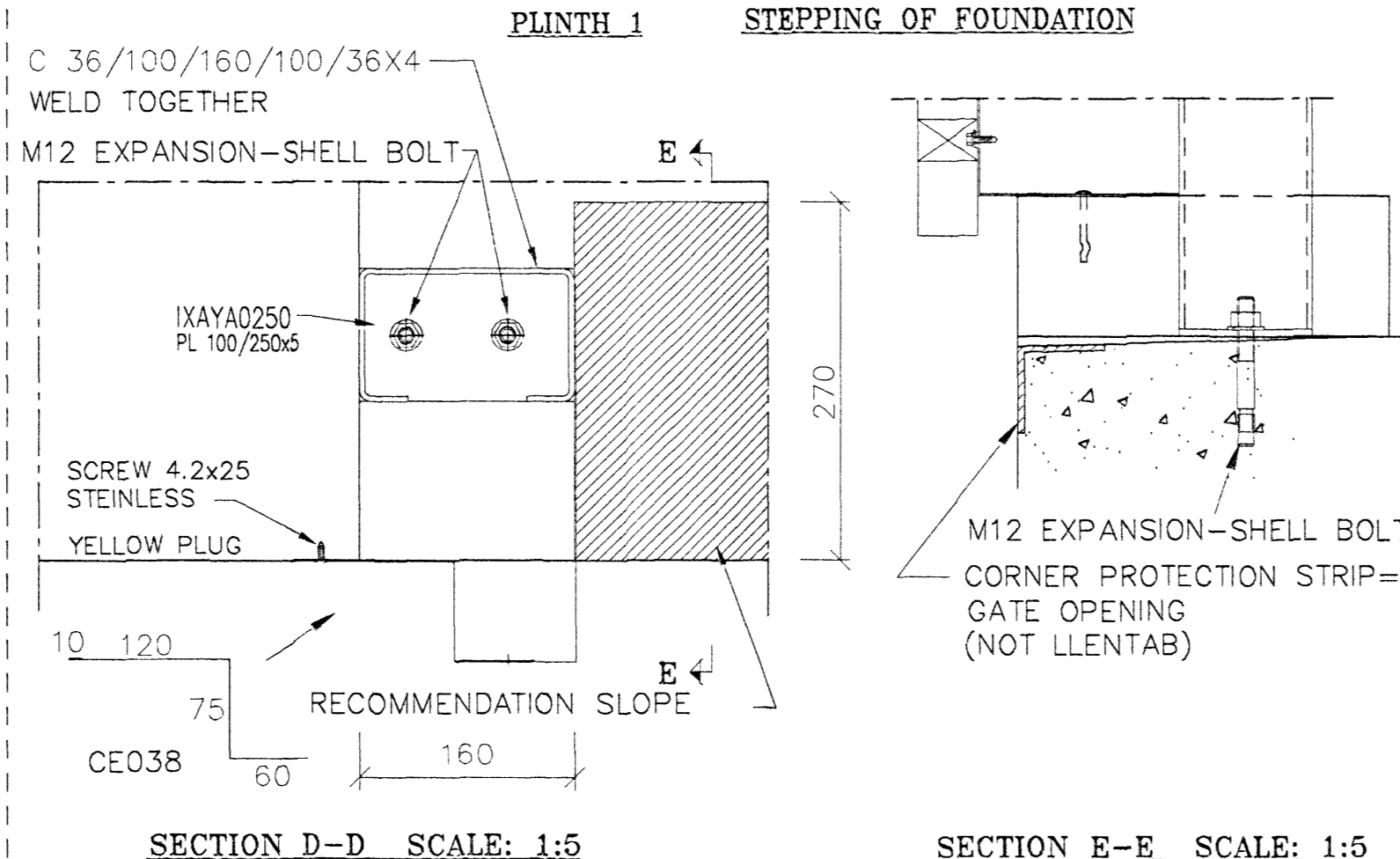
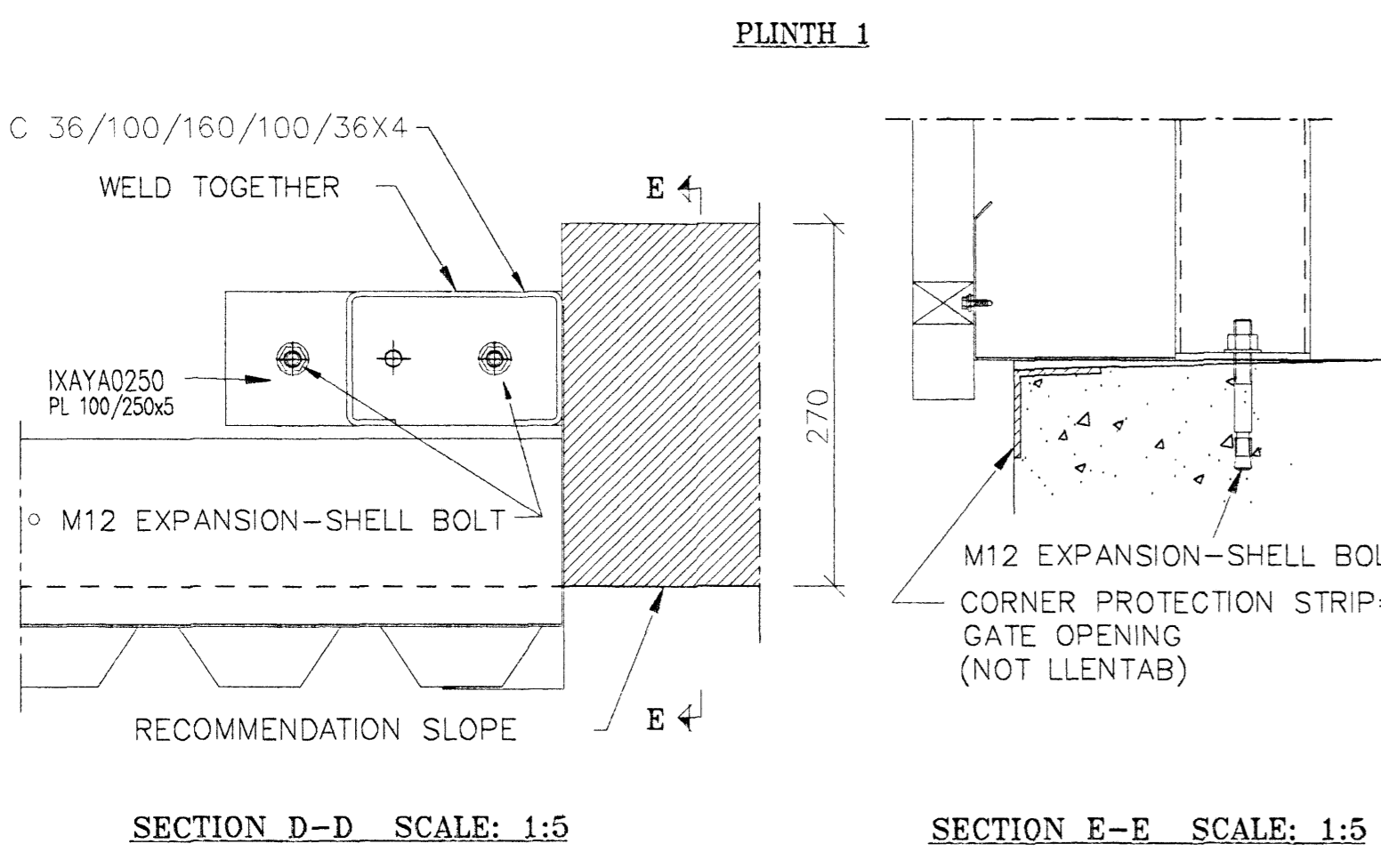
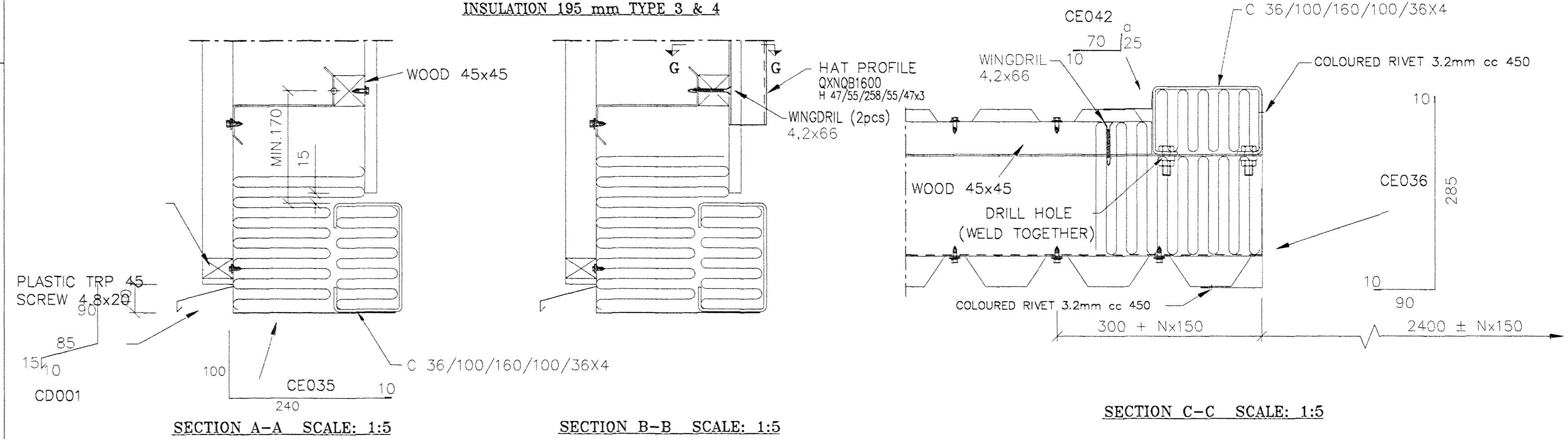
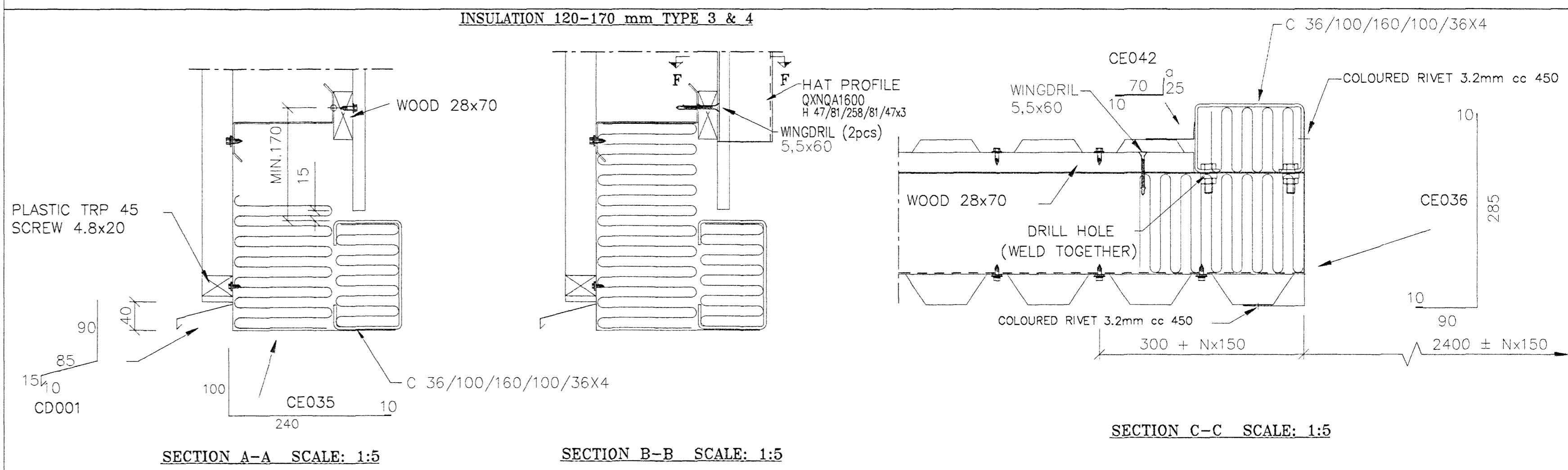
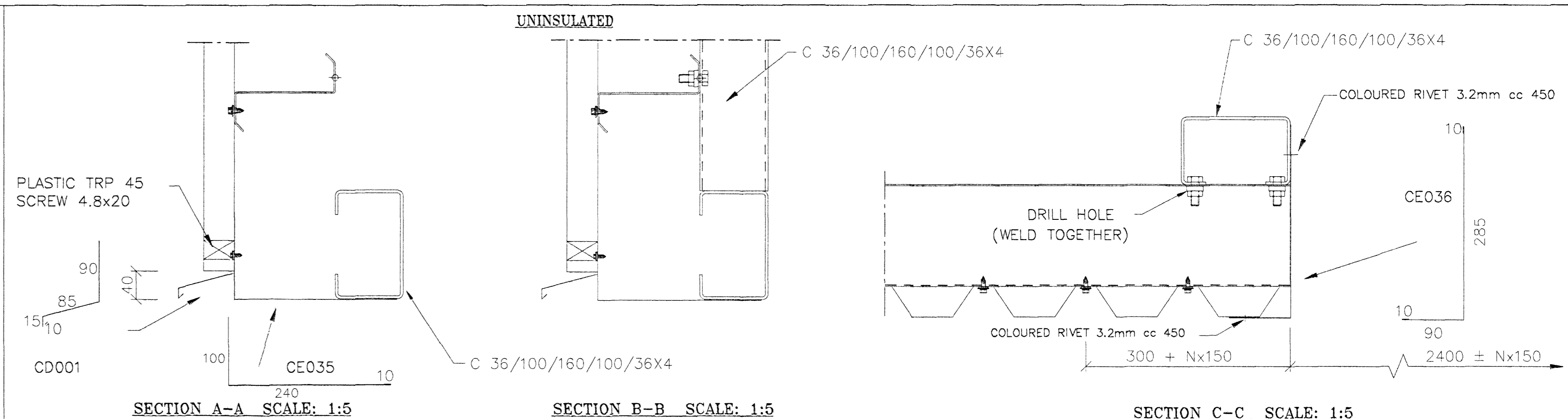


OVERHEAD GATE

PIVOT BEARING IN USAGE OF RL OR HL AND B>3.0m
 NOT IN USAGE OF VL AND LL CHECK FRAME DRAWING
 C 36/100/160/100/36X4
 OR HAT PROFILE
 PLACE = TOP OF SIDE FRAME (L=MAX 1600)



PRINCIPAL DRAWING



- NOTE!**
- * GATE W < 5.0m 4mm FRAME
 - * GATE W > 5.0m 5-6mm FRAME OR C-250/360 PILLAR
 - * TINPLATES SHOULD BE CONNECTED WITH COLOURED RIVETS 3.2mm c/c 450mm.
 - * HALLS WITHOUT ROOF-INSULATION TYPE 2 MUST HAVE 2 pcs OF Z-PROFILES/GATE INCLUDED TO SUPPORT THE GATE MECHANISM
 - * RL=REGULAR LIFTING
 - * HL=HIGH LIFTING
 - * VL=VERTICAL LIFTING
 - * LL=LOWER LIFTING

Byggnadsutvärdering
 Agneta Palm
 05 SEP 2008

BM-VALLA
 ARTUN KONSTRUKTÖR
 KUNGSBRYNAN
 TEL +46 523 79000
 FAX +46 523 79549

LLENTAB
 KONSTRUKTÖR
 RIMSKY KORSSAAR
 FÖRSÄLJARE

D BESLAG, TEXT	RK 06-12-01
C BESLAG, TEXT	RC 05-06-10
B Z-REGL	RC 04-01-28
A CENTRUMLAGERHÄLLARE	RC 03-10-24
REG REGISTRERINGEN AVSER	SICN DATUM
OVERHEAD GATE	
PRINCIPLE DRAWING	
GATE MONTAGE	SKALA 1:20, 1:5
KOD TYP PGR	REVISIÖNSNUMMER
03-05-05	M98-511