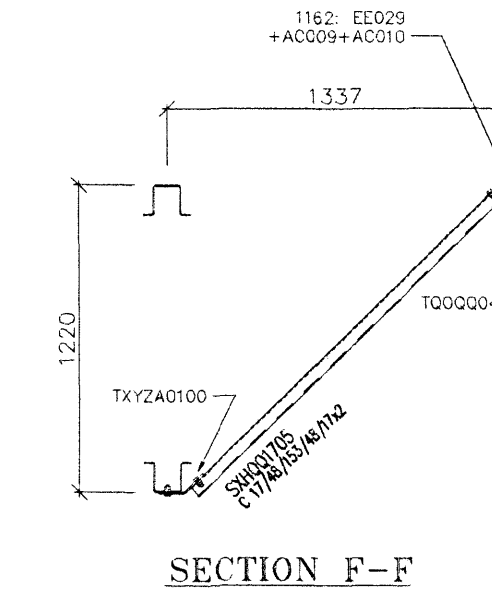
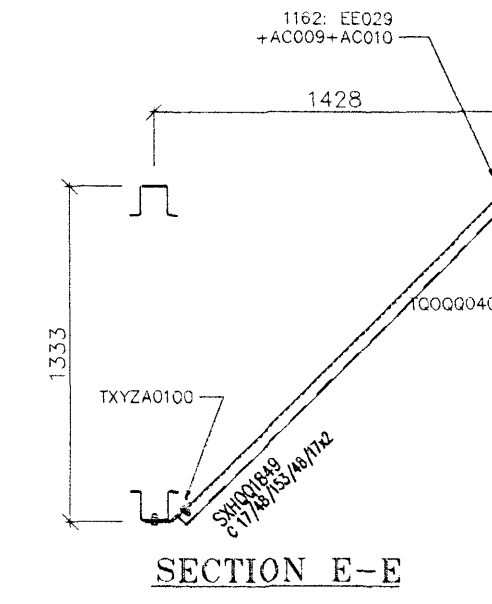
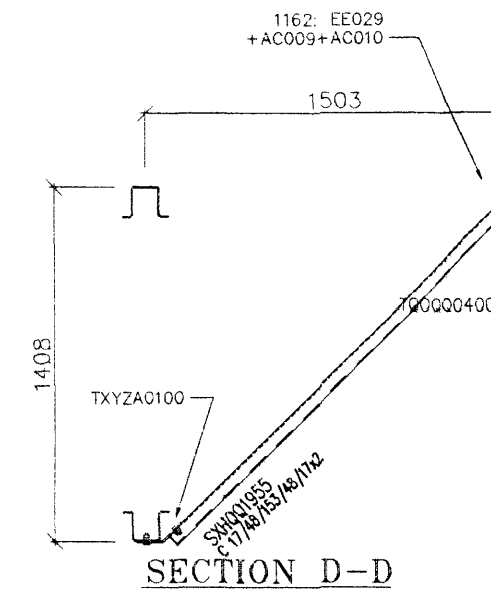
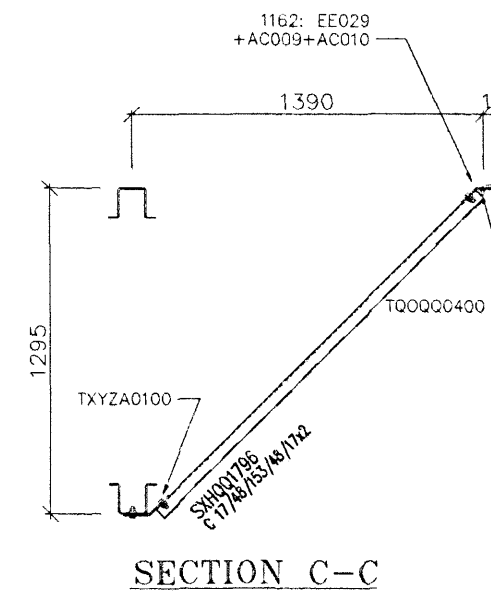
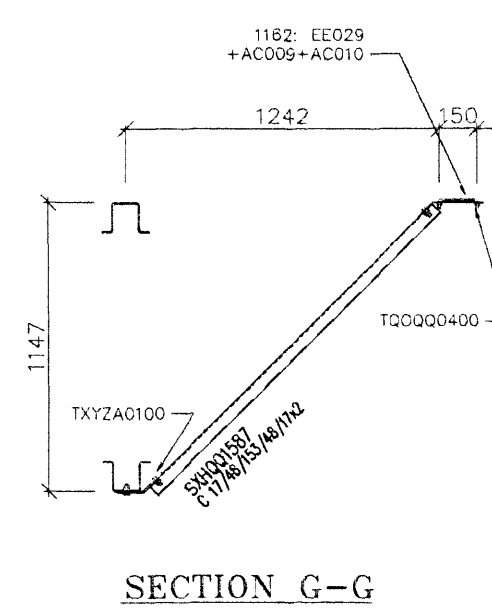


Look at the whole name of profiles !
Some profiles have the same length
but different thickness on the right
and left side of the frame.



Byggingafráttíðni Háttarjardar
Afgreitt þann
05-SEP-2008

		Tæknidag Stóriðja 23, 112 Reykjavík Sími: 530669-0179 Sími: 412 5000	
ARITUNARMAÐUR 		DAGES ÁRTUNAR 28/08	
ARITUN SAMRÁÐSMAÐURAR 		28/08	

A bracing of lower frame		SHI	2008-07-02
REGISTRATION	SSDK	DATE	
BUILDER BERGPLAST LOCATION Breiðhella 2		Tæknidag Stóriðja 23, 112 Reykjavík Sími: 530669-0179 Sími: 412 5000 Fax: 412 5061	
PROJECT NUMBER 130007 DATE 08-09-08		SAUÐSMAN Peter Gustafsson SAUÐSMAN Stefan Hottze	
SECTION LINE 12			
SCALE 1:30		DRAWING NUMBER K-IS0007-8	