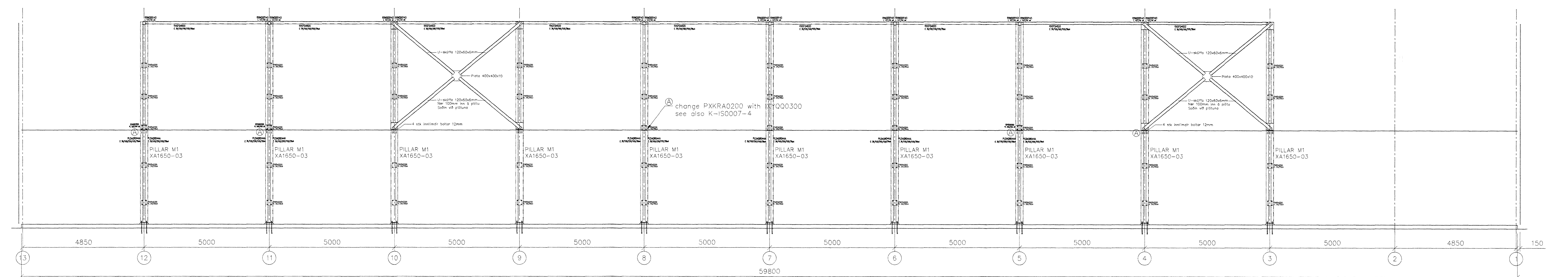
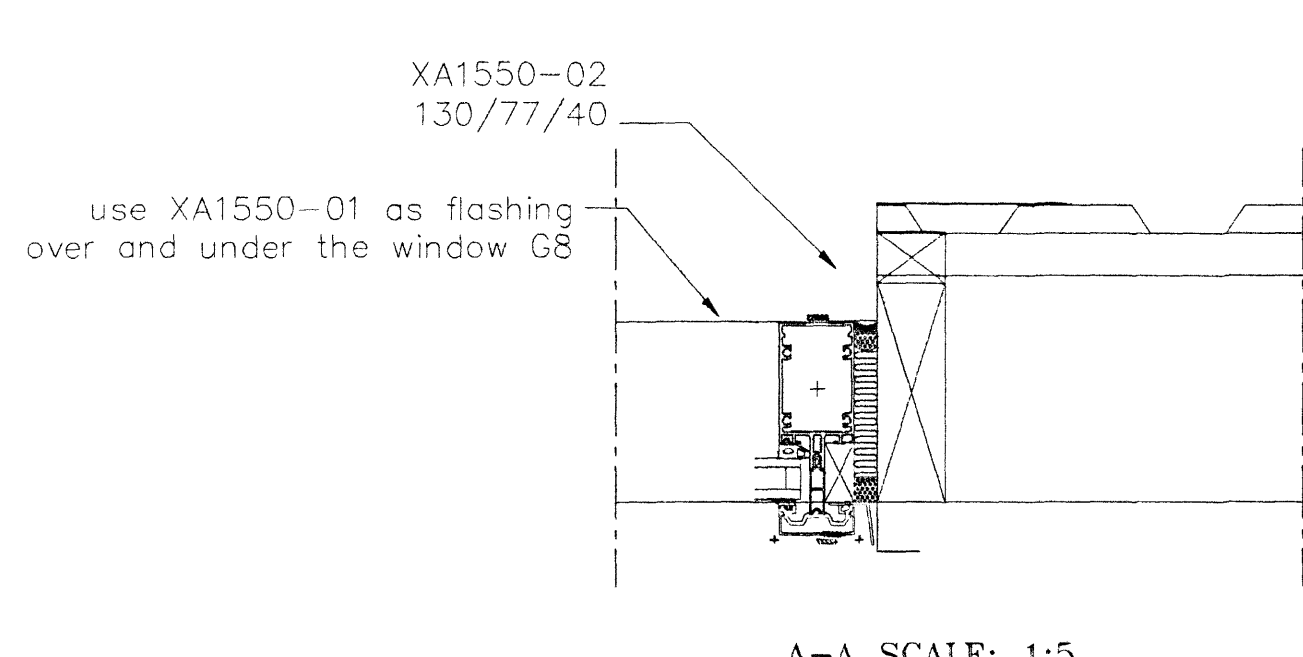


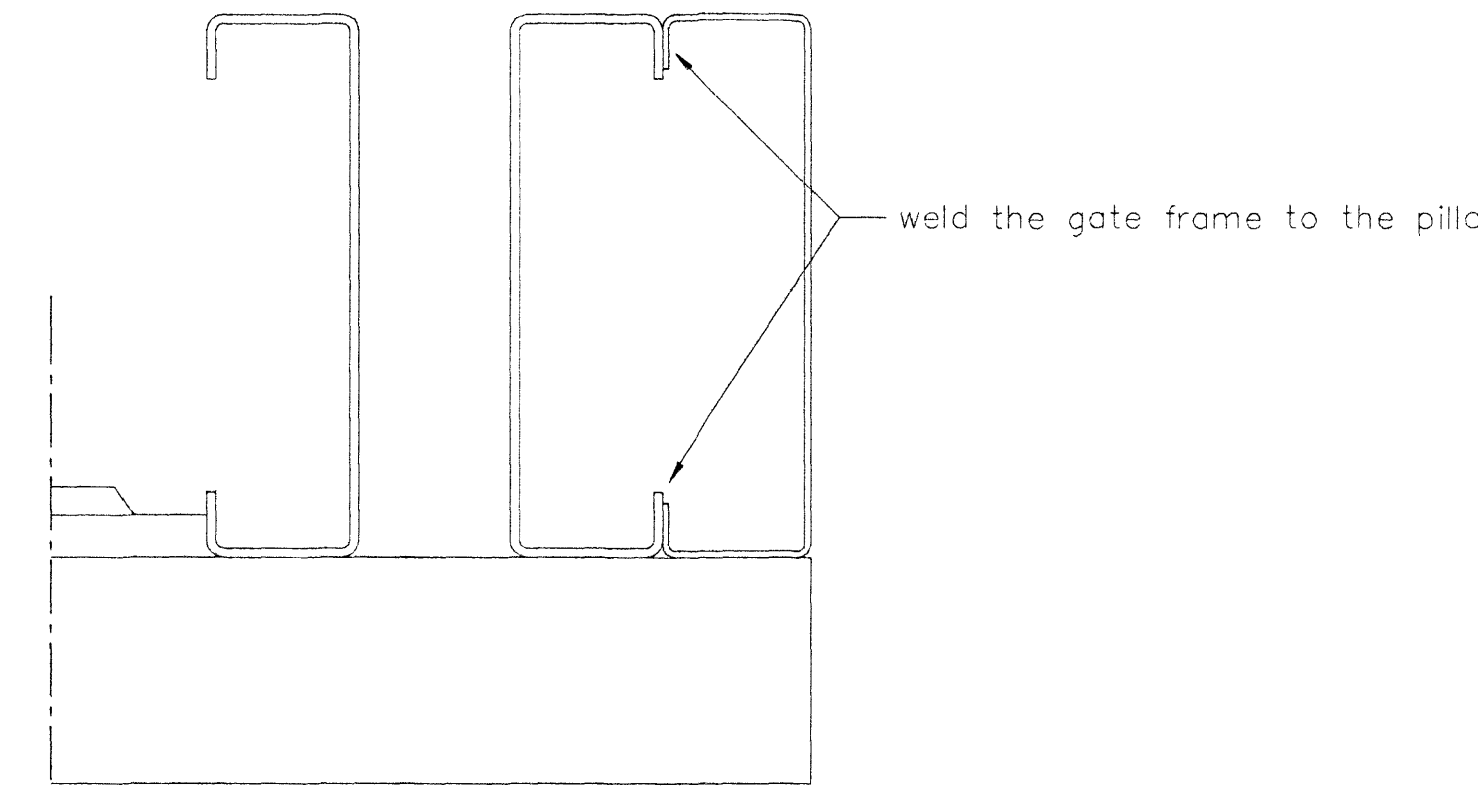
WALL LONGSIDE LINE A



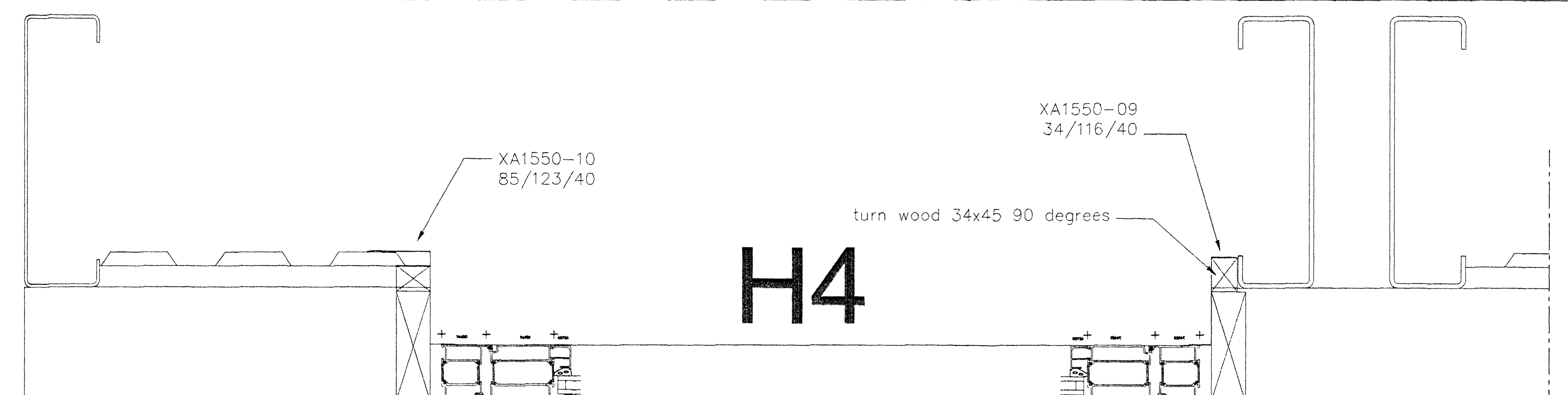
SECTION LINE E



A-A SCALE: 1:5



B-B SCALE: 1:5



C-C SCALE: 1:5

Byggingatillitri Hatnarjarðar  
Alfreit þann  
D 5 SEP 2008

A details windows, door and gate		SH	2008-07-02
BUILDER BERGPLAST LOCATION Breiðhella 2		TOWN/STATE Reykjavík 112 Reykjavík Sími 412 5000 Fax 412 5051	
PROJECT NUMBER IS0007 DATE 08-05-13	DRAWN STEFFEN HINZTJE	CHECKED STEFFEN HINZTJE	SCALE 1: 60
WALL LONGSIDE LINE A SECTION LINE E		DRAWING NUMBER K-IS0007-5	REG A