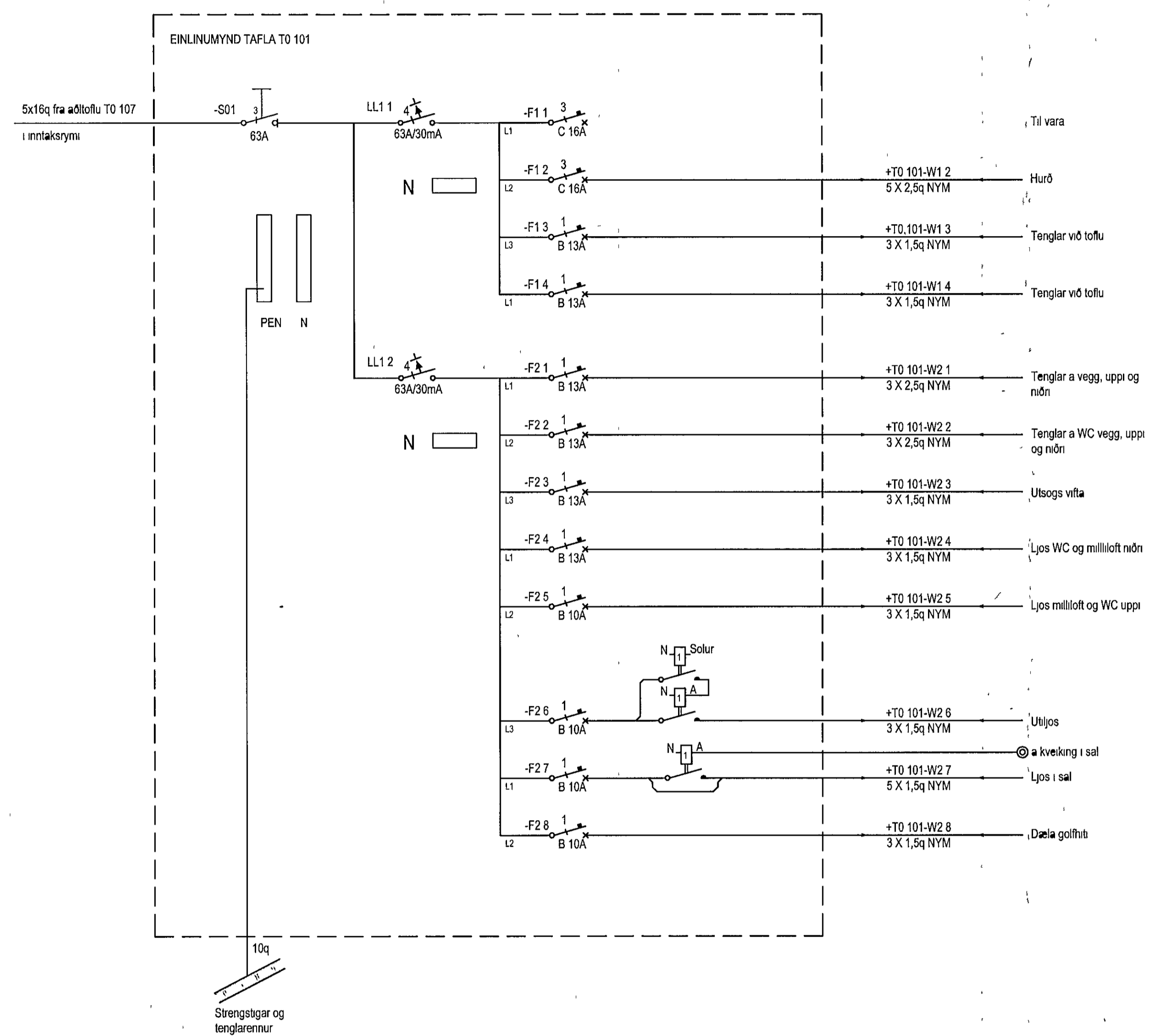


ADALHÖNDUÐUR

Þ. H. H.

UTG	DAGS	UTGAFUERILL	HANNAÐ	TEKNI	YFIRF
---	---	---	---	---	---
---	---	---	---	---	---
---	---	---	---	---	---
---	---	---	---	---	---
---	---	---	---	---	---
---	---	---	---	---	---
---	---	---	---	---	---
---	---	---	---	---	---
---	---	---	---	---	---
---	---	---	---	---	---



10q
Strengstígar og tenglarennur



Íðnaðarhúsnæði
Miðhella 4
220 Hafnarfjarður

Raflagnir
Einlínunmynd
Tafla T0 101

TEKNI	BLASTI	HANNAÐ	PER	---
1611-177	A1	TEKNAÐ	PER	---
DAGS	MELKVARDI	UTGAFA	---	---
7 4 2014	Enginn			R

SAMÞYKKT Davíð Þorvaldur Solvason
Kendala K 26-3339

I:\2014\Miðhella 4\rafteifi og tengingaraflálmennar\taflagagn_3_11.dwg