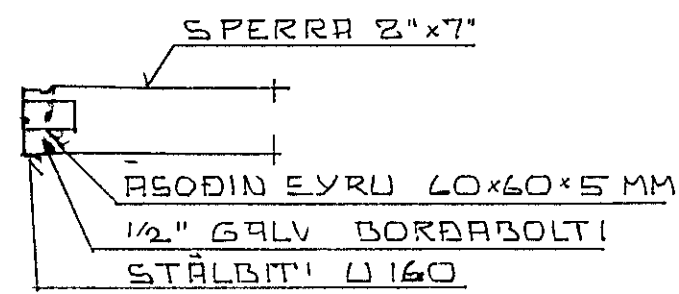
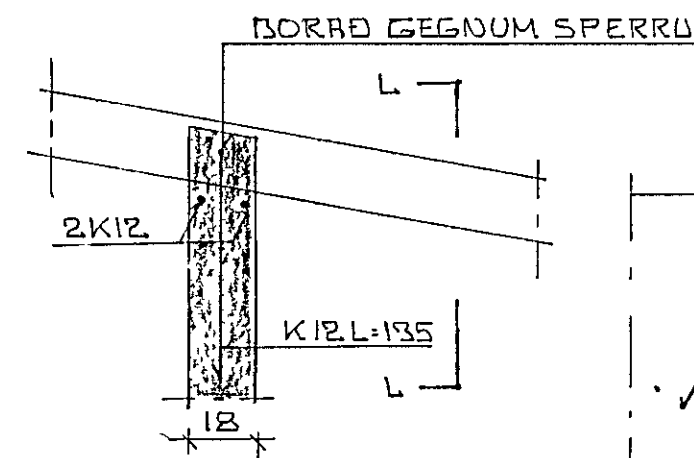


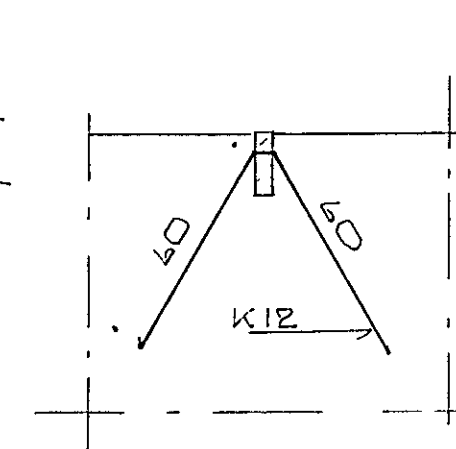
SNID D-D 120



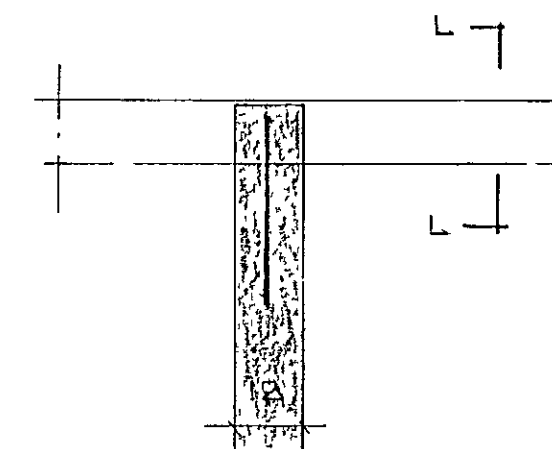
SNID E-E 120



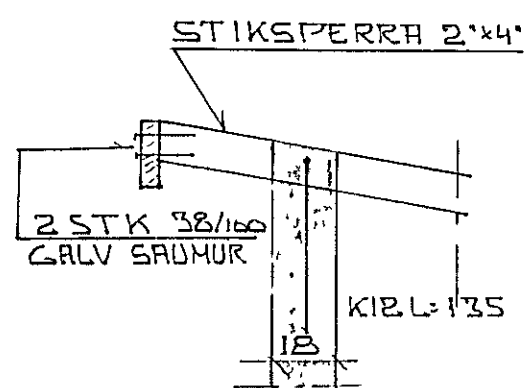
SNID F-F 120



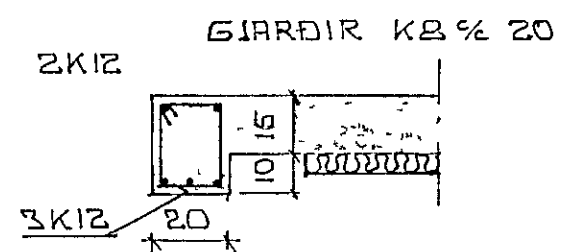
SNID L-L 120



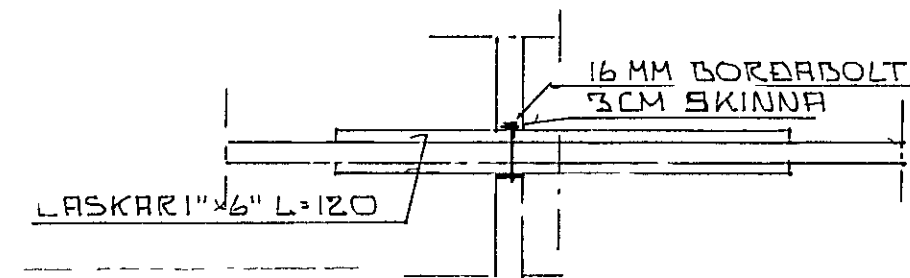
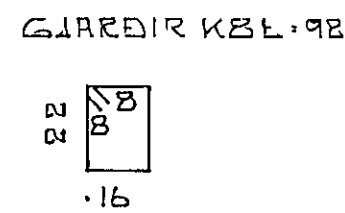
SNID G-G 120



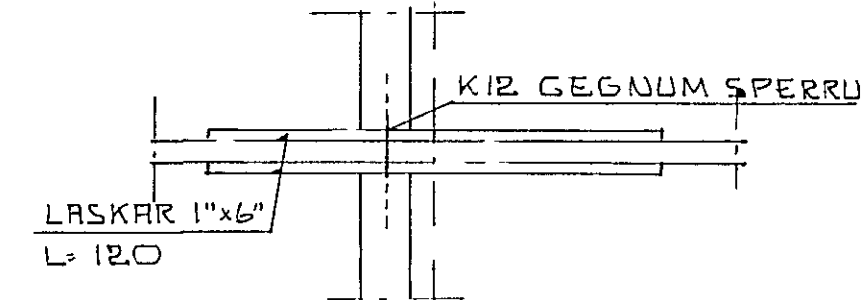
SNID H-H 120



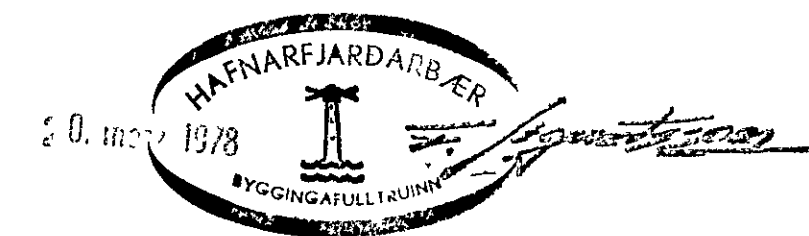
SNID I-I 120



SNID K-K 120



SNID L-L 120



DR 23-2-78 DR UBITA SP

HRAUNBRUN 17 HAFNARFIRÐI
SNID D-D: E-E: F-F: G-G: H-H: I-I: J-J
K-K: L-L

MELIKV 120

SIGURÐUR ÞORLEIFSSON TEKNIFR FTFI
ALFASKEIÐI 22 HAFNARFIRÐI SIMI 52452

DRGS 15-01-78

REIKN SP

TEIKN SP

VERK NR
77-01-01

TEIKNR
05