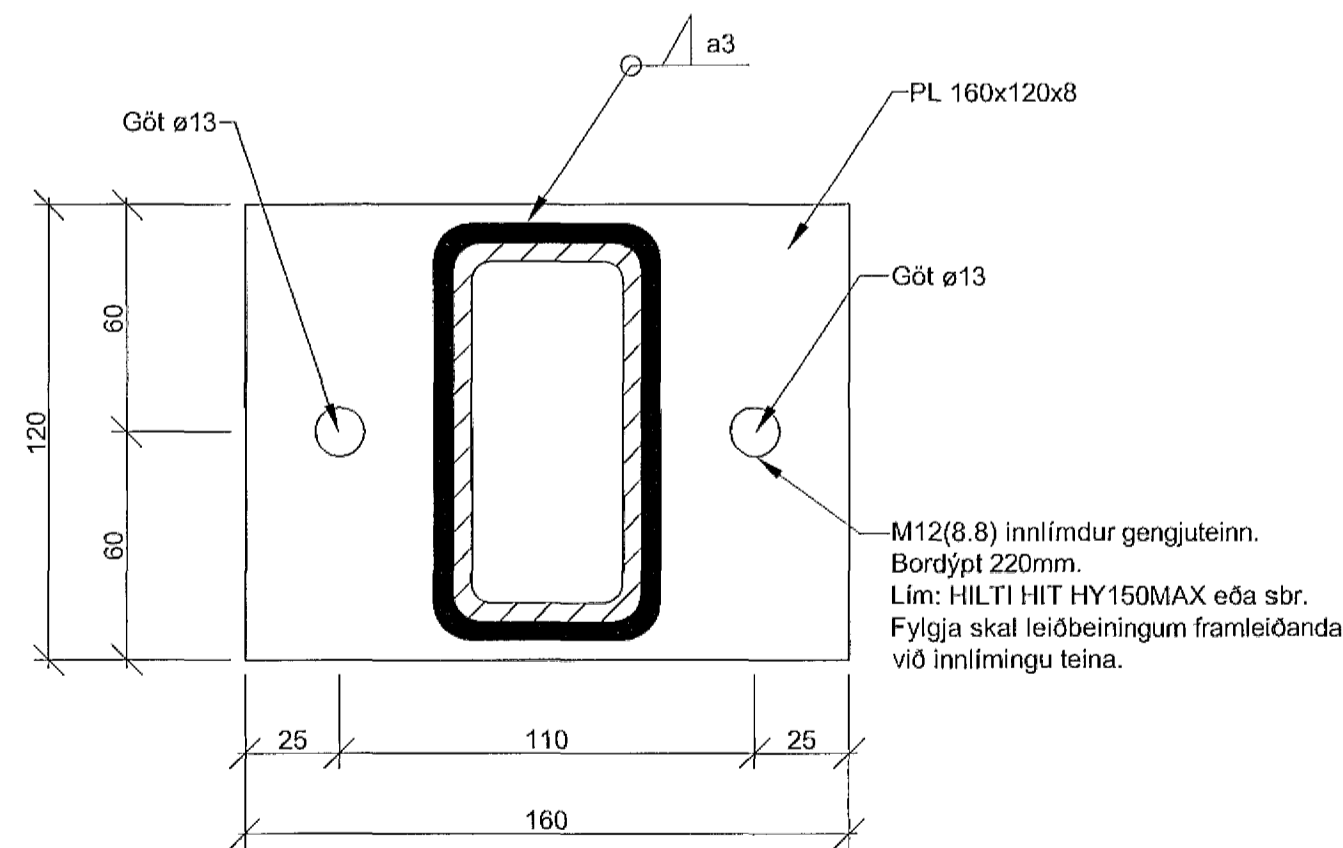
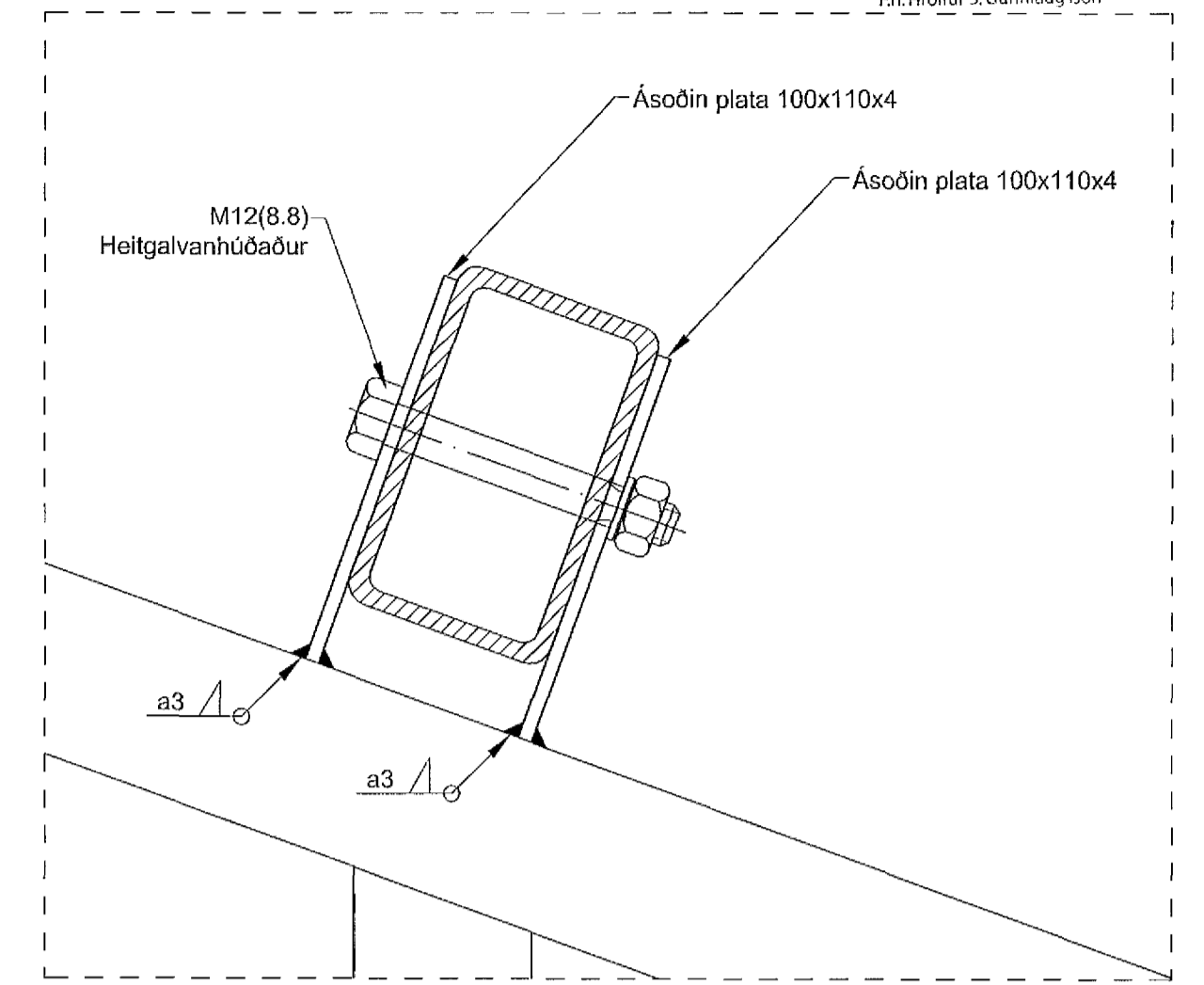
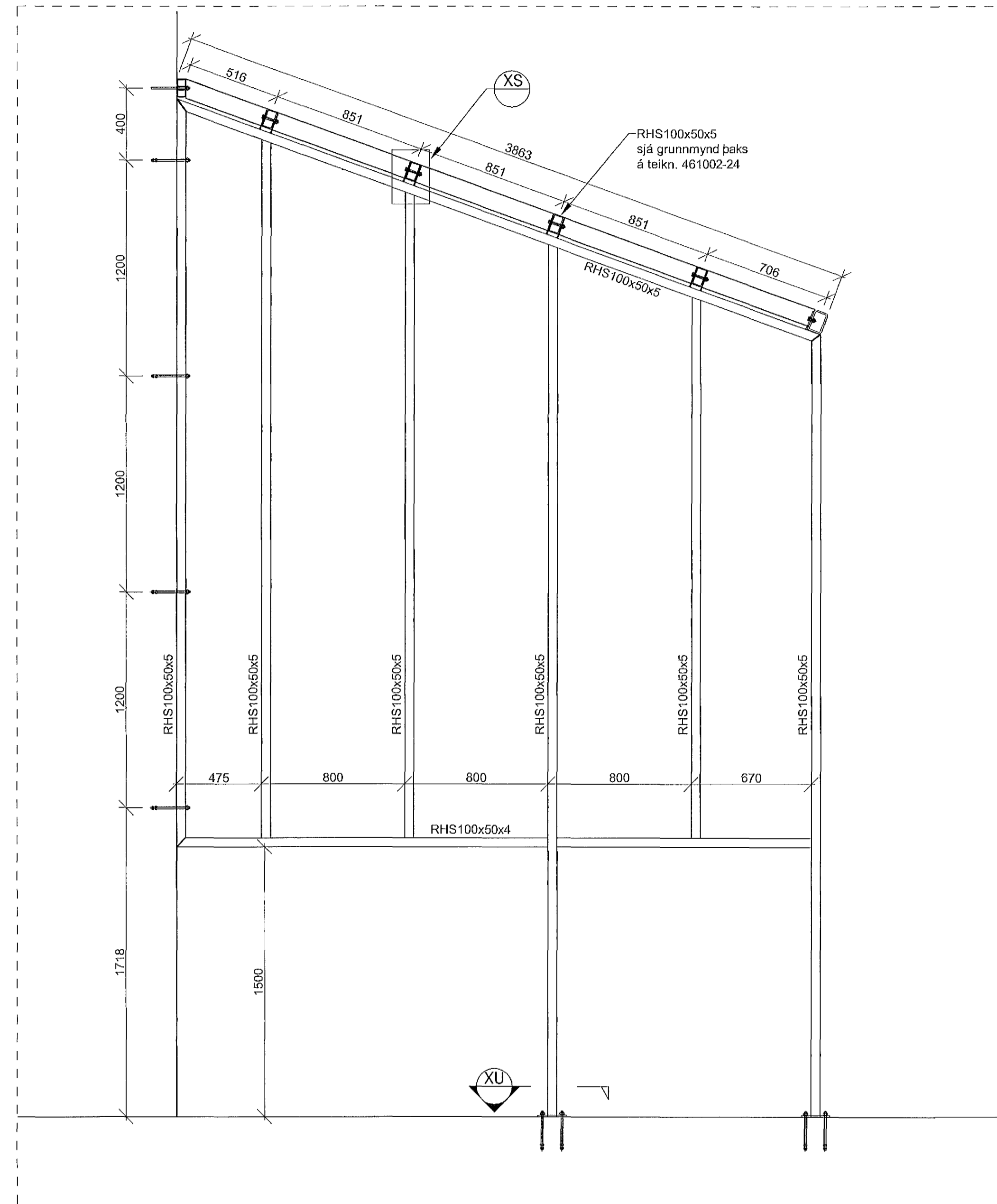


XU Snið
M 1:2

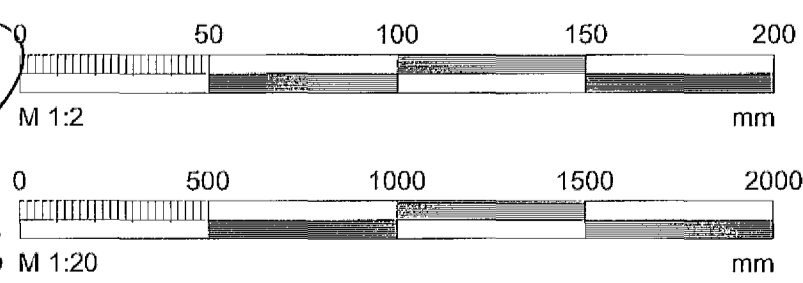


Verklýsing

Sjá teikningu 461002-21

Útskýringar:
Explanations:

Magnus
305788-2205



Nr.:		Dags.:	2013.11.06	Samþykkt:	AF	Nálg.heimn.:	
No.:		Date:		Approved:		Released:	
A Verkteikning		Breyting:					
		Revision:					

This drawing is the property of Rio Tinto Alcan Iceland Ltd. and handed out for personal use only. It may neither be copied nor made available to others without permission of Rio Tinto Alcan Iceland Ltd. The receiver is liable for any misuse.



Dagsetning / Date:	2013.11.06
Hönnuð / Designed:	JF
Teiknað / Drawn:	EEV
Yfirrituð / Checked:	HÖH AF
Teiknur.veritaka / Supplier DrawNo.:	00_1_21_01
Hluti af / Part of:	2961-058

Hlutur / Object:	ALCANTARA	Stk./Ea. / heild / total Þyngd / Weight (kg):		Alhugsendir / Remarks:	
Object:	LOFTÞJÖPPUSTÖÐ 1 BURÐARVIRKI Torrit skýli - Grunnmynd og snið				
Flokkur nr.:	22	Nesto bl.nr.:			
Kostn.nr.:-Acc.No. / Blm.nr.:-Eq.No.:	4070	AKS nr.:			
ISAL Yfirrituð og sbr.ðs. / ISAL Checked, date:		ISAL Samþykkt, dsgs. / ISAL Approved, date:			

Rio Tinto Alcan

ISAL Alcan Iceland Ltd
Sraunsmök 4S-222 Hálfarfróði
Iceland

Teikn.nr. ISAL / Draw No. of ISAL: 461002

Breyt./Rev.: A