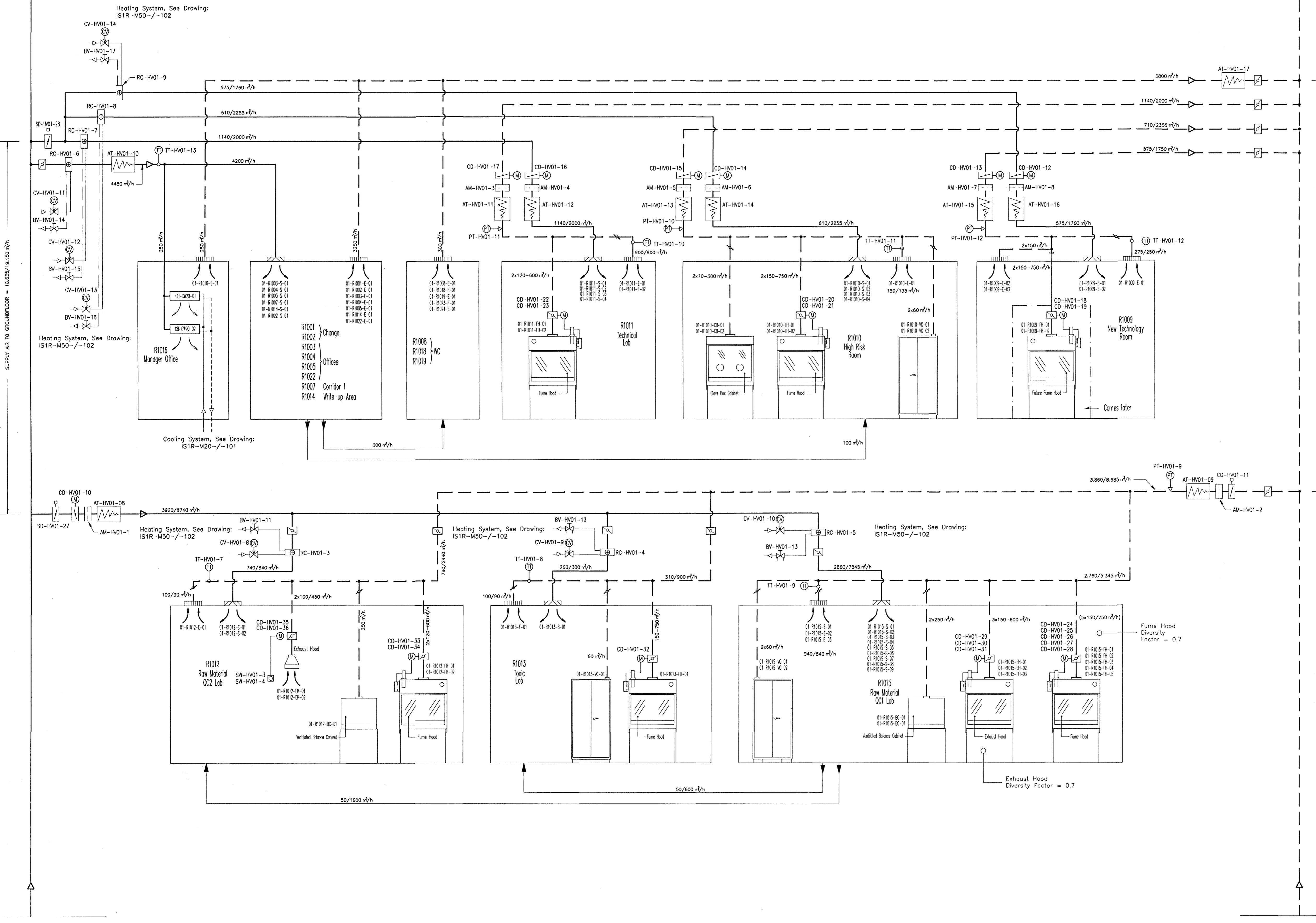


See 2nd Floor
Drawing IS1R-M01-02/03/04-003

See 2nd Floor
Drawing IS1R-M01-02/03/04-003



- NOTES**
- MODULATING CONTROL VALVE - WITHOUT CURRENT CLOSED
 - MODULATING CONTROL VALVE - WITHOUT CURRENT OPEN
 - VALVE
 - NON RETURN VALVE
 - BALANCING VALVE
 - CLOSED VALVE IN NORM. OP.
 - SAFETY VALVE
 - GATE VALVE
 - GAUGE / TEMP.
 - GAUGE / PRESSURE
 - MEASURING POINT
 - TEMPERATURE TRANSMITTER
 - PRESSURE TRANSMITTER
 - PRESSURE SWITCH
 - HUMIDITY TRANSMITTER
 - SMOKE SENSOR
 - CONTROL DAMPER
 - CONTROL DAMPER - WITHOUT CURRENT CLOSED
 - SMOKE DAMPER
 - SWITCH
 - DAMPER
 - AIRFLOW MEASURE
 - REHEATING COIL (RC)
 - ATTENUATOR
 - AIR VENT
 - STRAINER
 - AIR SEPARATURE
 - PUMP
 - MANUAL PUMP
 - EXPANSION TANK
 - HEAT EXCHANGER
 - PRESSURE CONTROLLER

06.08.2005

See Basement
Drawing IS1R-M01-00-001

See Basement
Drawing IS1R-M01-00-001

No.	AMENDMENT	Date
X	xxx	xxx.xxx

actavis
 Reykjavíkuvægur 80, Hafnarfjörður
 R-Laboratory Building - New Building
 HVAC - System 01 - Schematic Drawing
 Part 2, Ground Floor

Drawing No: IS1R-M01-01-002
 Date: 28.09.2005 Scale: None Project No: 375
 Filename: Schematic-HV-PRE-REV-sept-1.dwg Design by: FSK/SK
LAGNATÆKNI
 HVAC Consulting Engineers
 Hornborg 12, 200 Kópavogur, Iceland
 phone+354-564 5282 fax+354-564 5251
 IS@lagnatækni.is http://www.lagnatækni.is
 Drawn: FSK/HBG
 Checked by: x/x

Sign: *Jóhann S. Jónsson*
 ID: 300346-3409