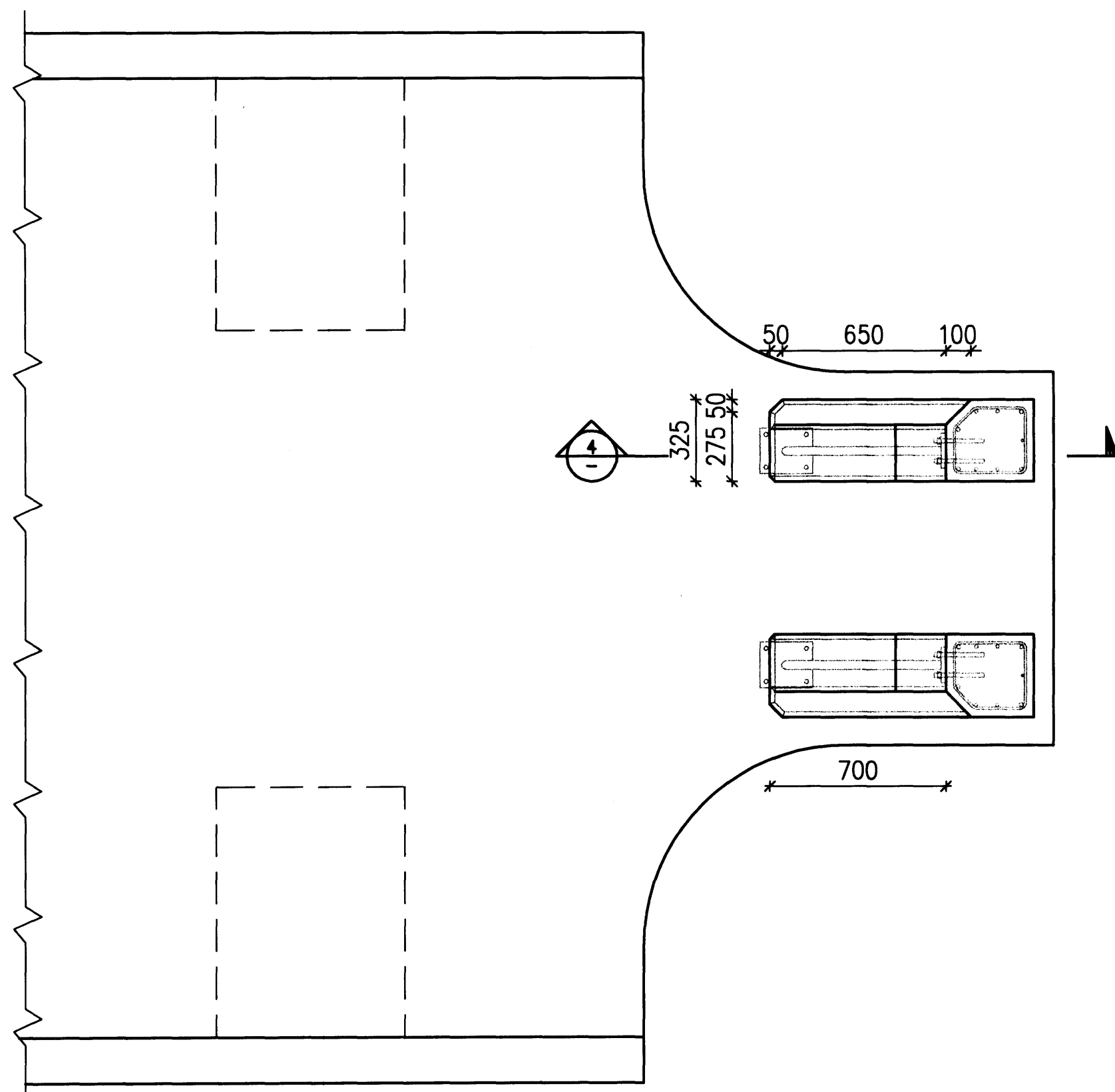
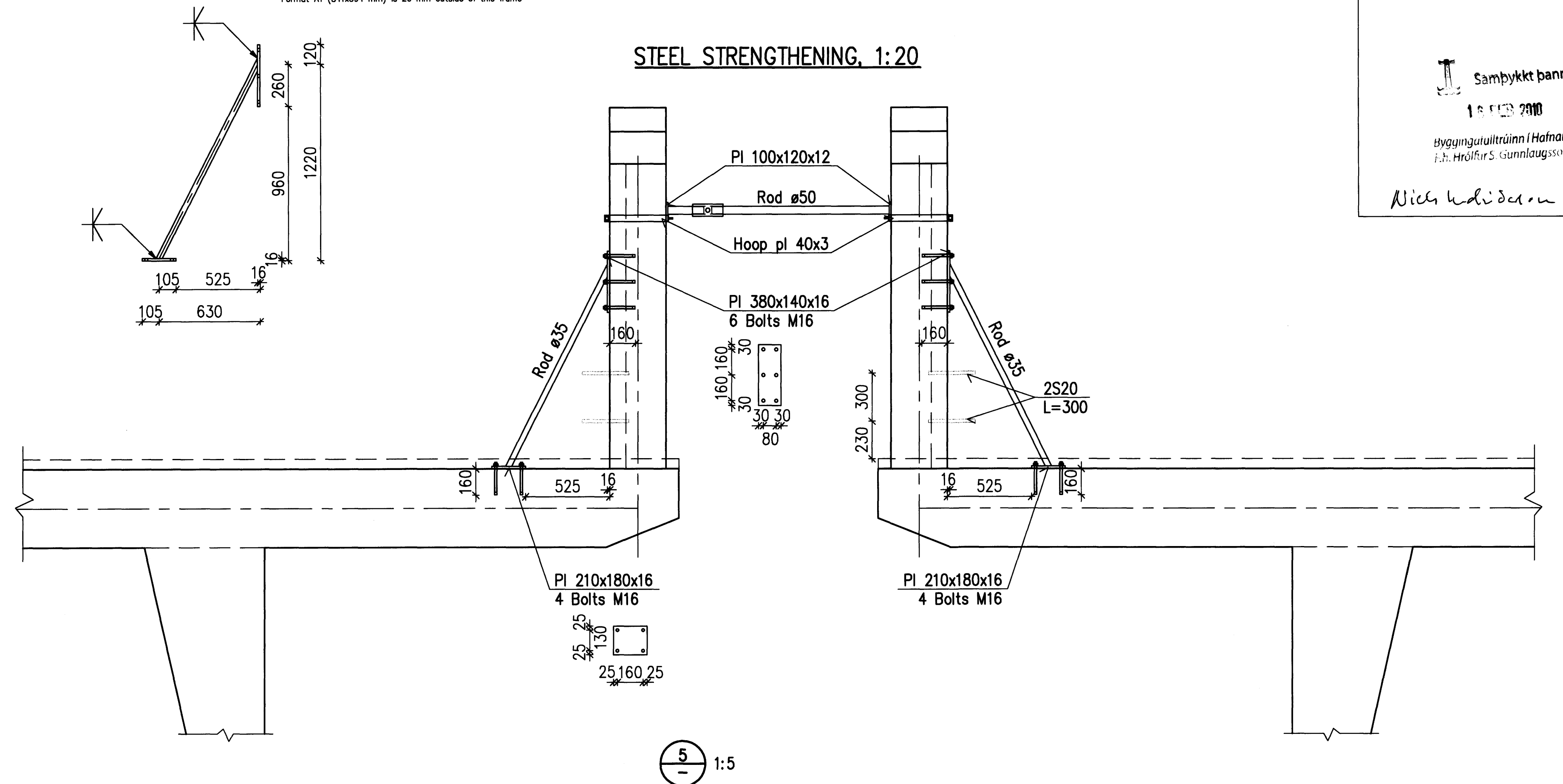


ANODE COLUMNS PLAN VIEW, 1:20



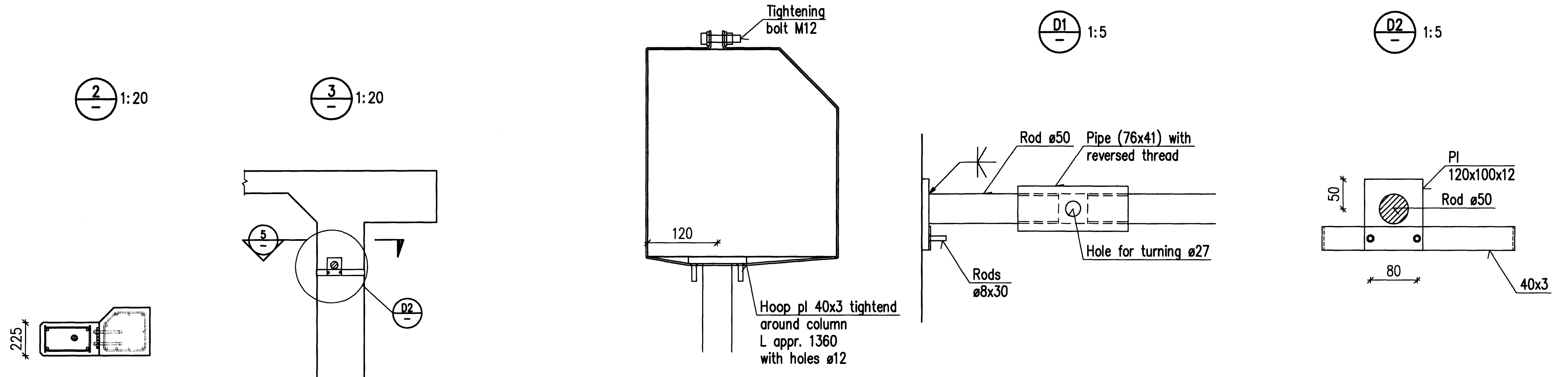
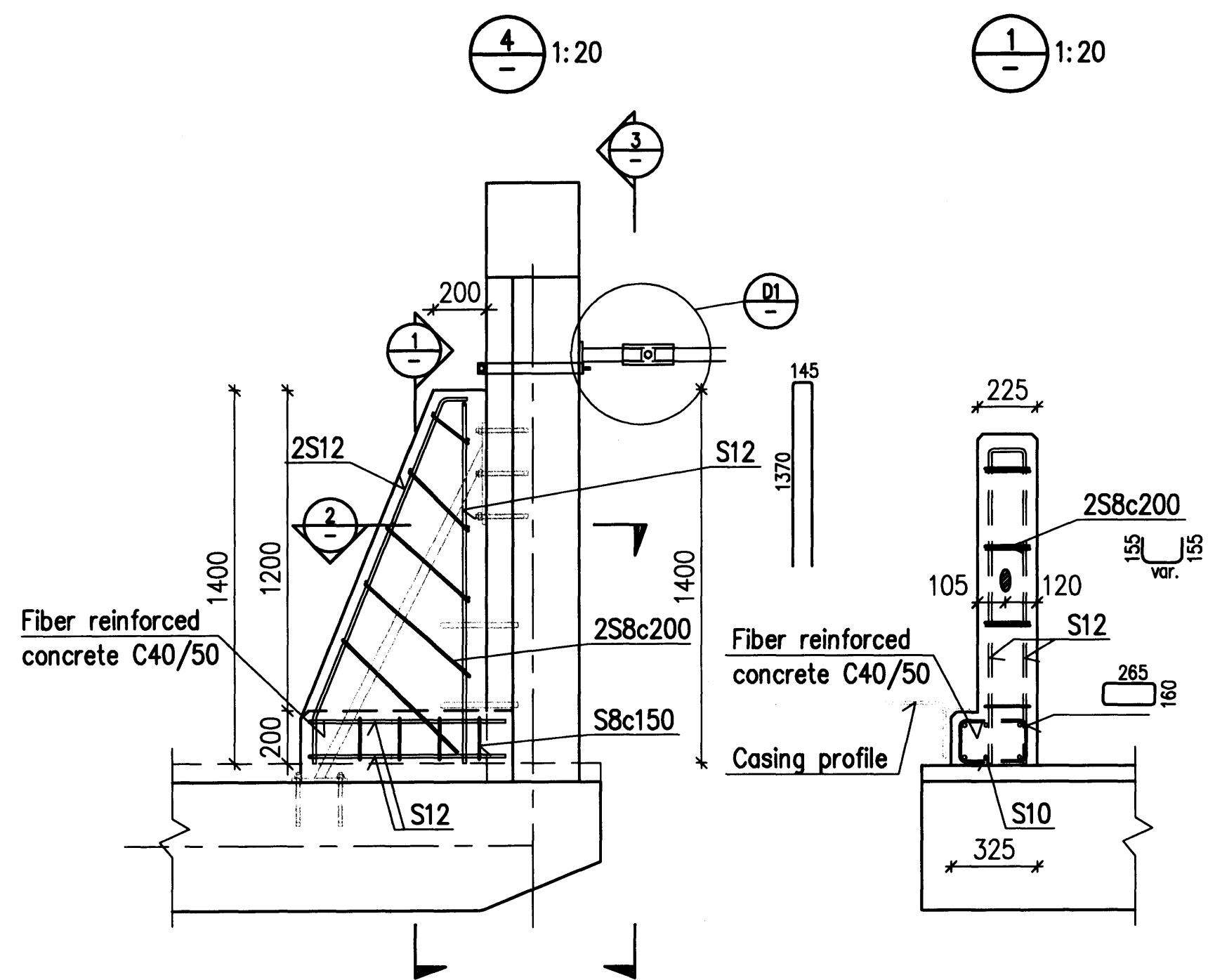
Format A1 (841x594 mm) is 20 mm outside of this frame

STEEL STRENGTHENING, 1:20

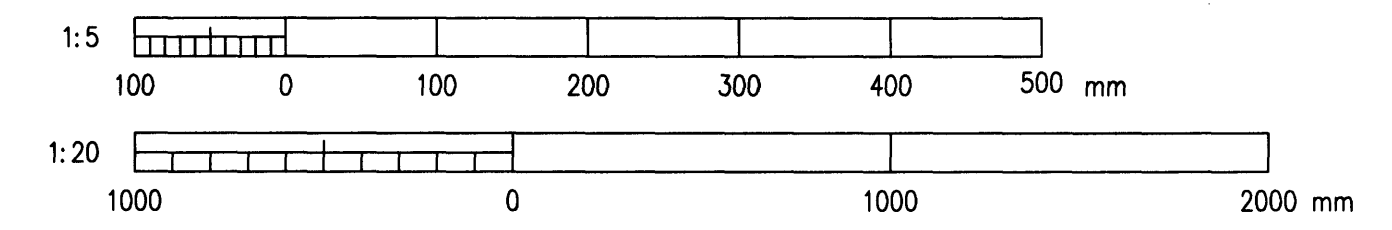


Samþykkt bann
18. FEB 2010
Bygginguvalfráinn í Hafnarfirði
f.ð. Hörfur S. Gunnlaugsson
Níels Halldórsson 181144-5849

CONCRETE EMBEDMENT, 1:20



Reinforcement grid shall not touch the steel parts (min distance 30 mm), use plastic ties for fastening.
Concrete cover 30 mm.
Concrete: fiber reinforced C40/50.
Structural steel S355 JR.
Bolts 8.8.
Reinforcement: B500C



Skýringar:
Explanations:



01 Issued for use		10.02.09	AW	Notk. heimil. Released
Breyt. Rev.	Breyting Revision	Dags. Date	Samþ. Approved	Notk. heimil. Released
Tilv. teikningar nr. ISAL Ref. drawing no. of ISAL		Samsetn. teikningar nr. ISAL Assembly drawing no. of ISAL		

Fjöldi stykja Number of pieces	Hlutur Object	Atviki Item	Efni Material	eo. stk Weight (kg)	total: f. heild Total: f. total	Athugasemdir Remarks
IV	III	II	I			
IDP 420 - POTROOM 1-2						
STRENGTHENING OF ANODE COLUMNS						
A3						
Verktali / Supplier						
HRV						
Teiknað Drawn	HS	2009.04.01	Yfirfarið Checked	AW	Scale	1:5, 1:20
Rio Tinto Alcan						
Teiknað Drawn	ISAL	Strawson Alcan Iceland Ltd IS-222 Hafnarfjörður	Yfirfarið og síkið Checked and filed			