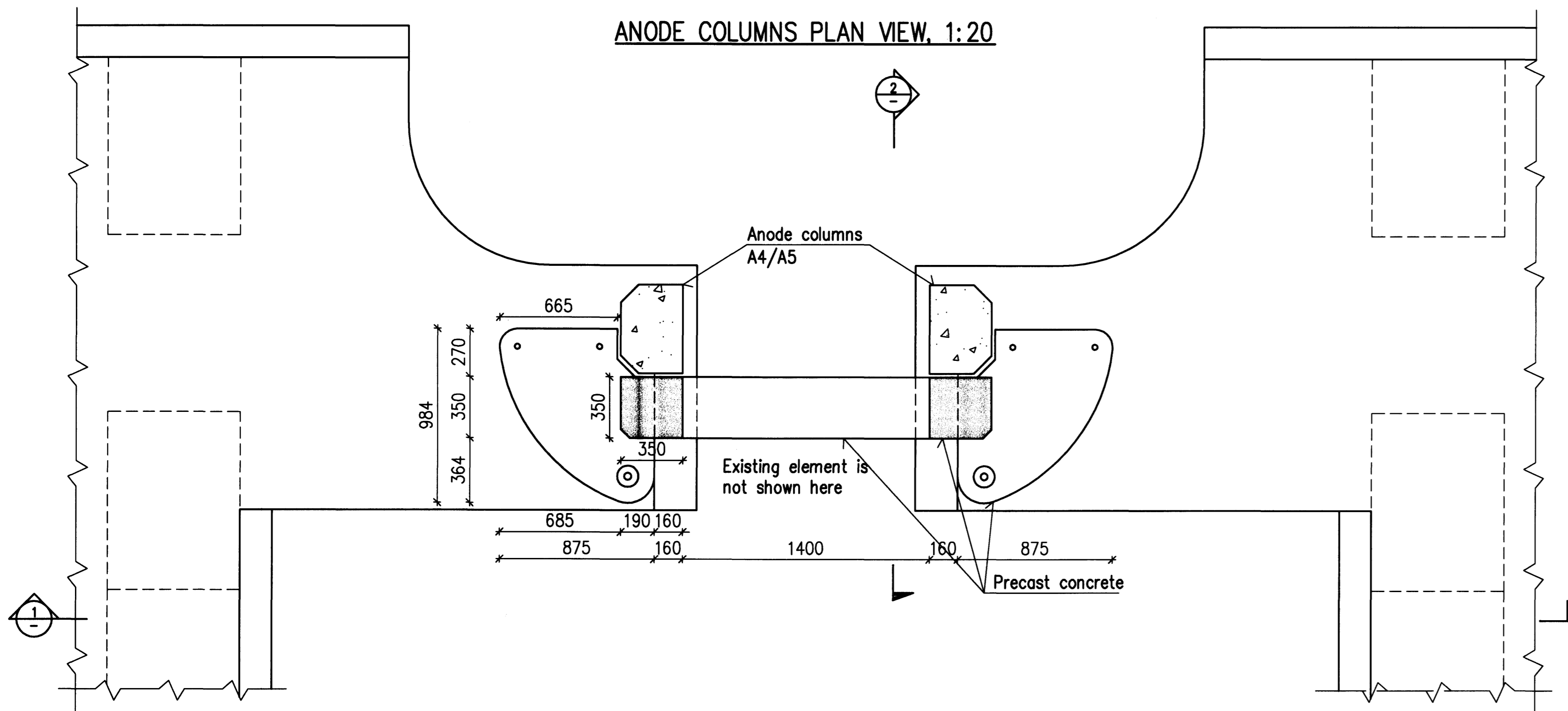


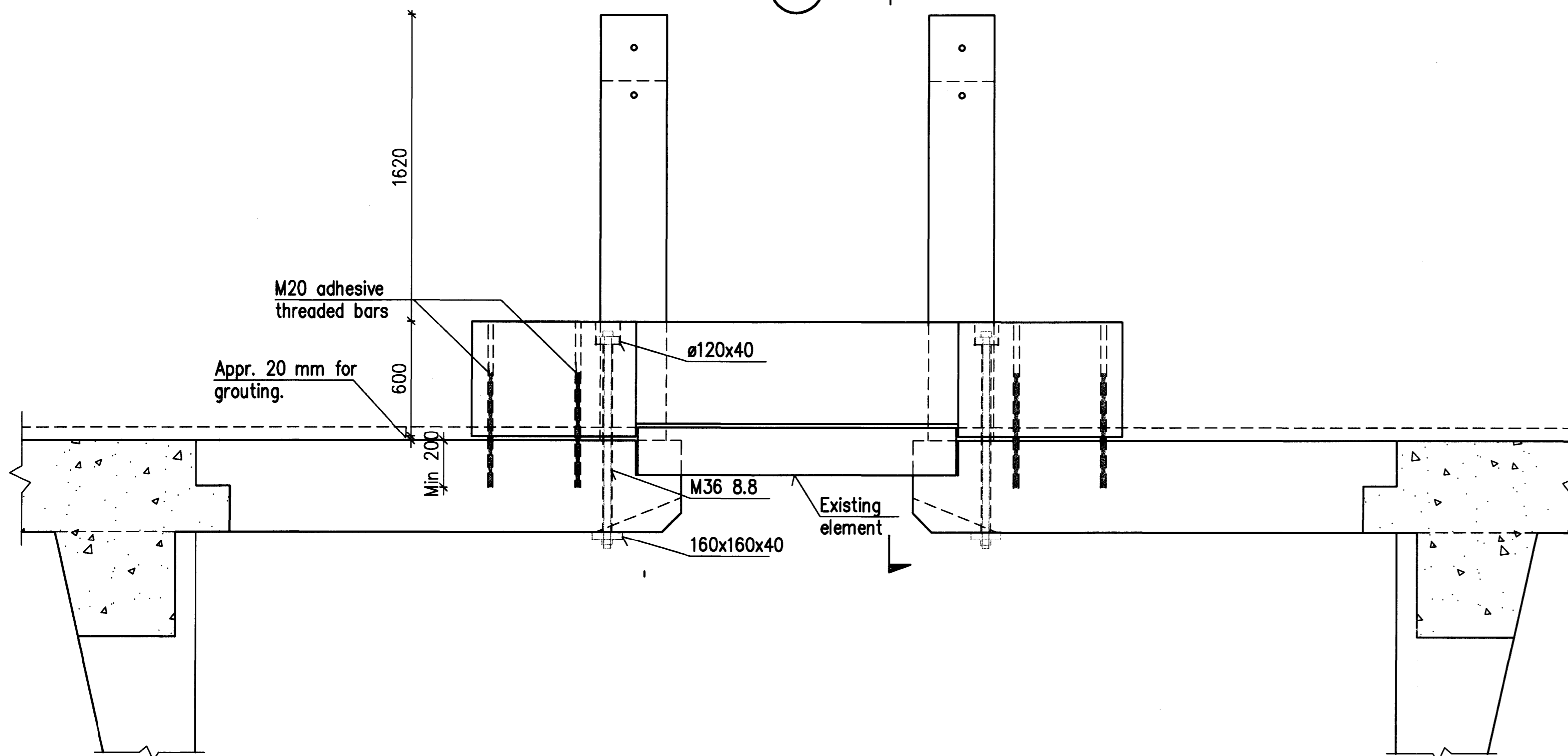
Samþykkt þann
13. FEB 2010
Sagapjálfráunni / Hafnarfróði
á Hraunum Samráðs nr.

Níki Lúðvík 181144-3949

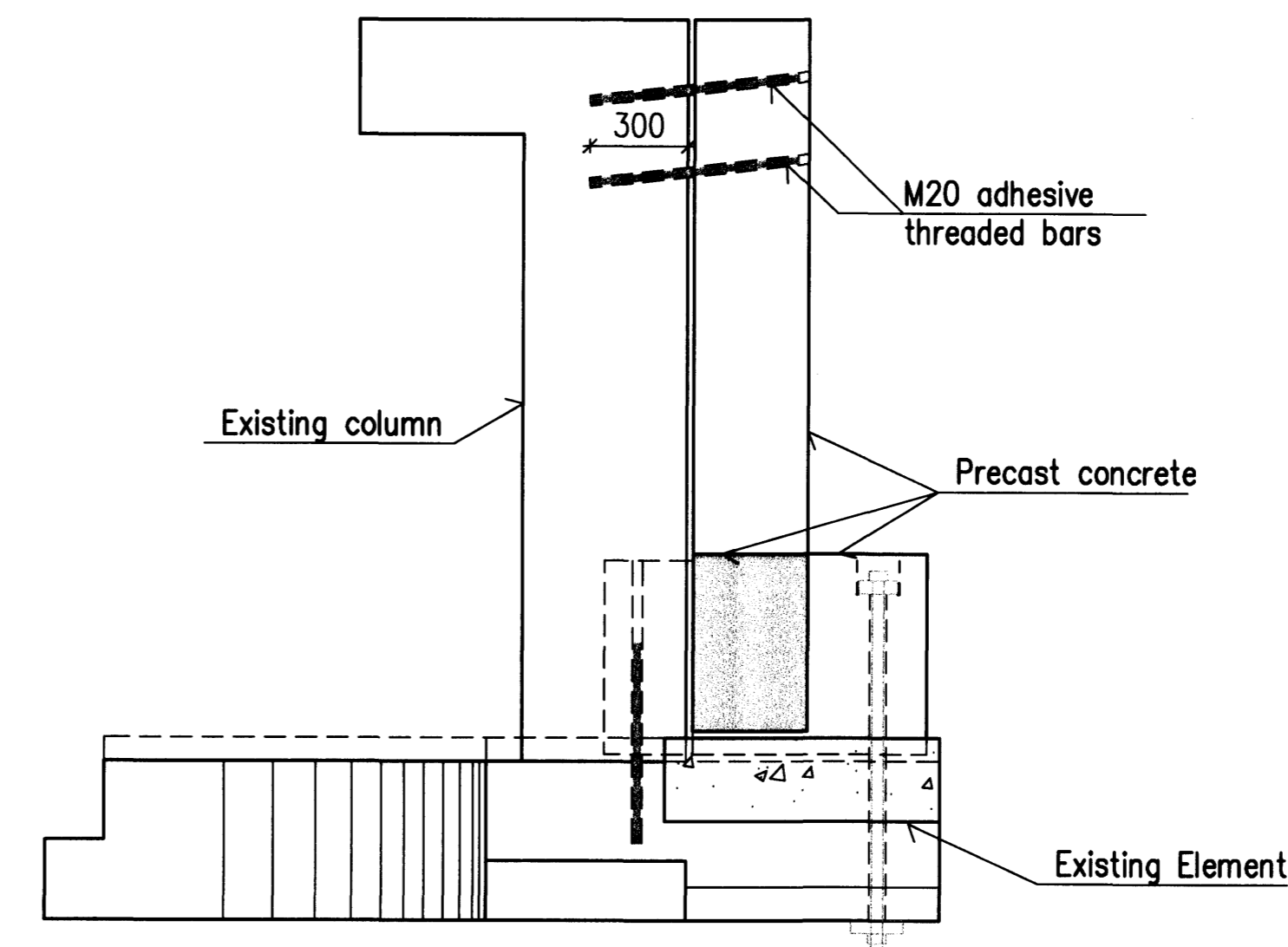
ANODE COLUMNS PLAN VIEW, 1:20



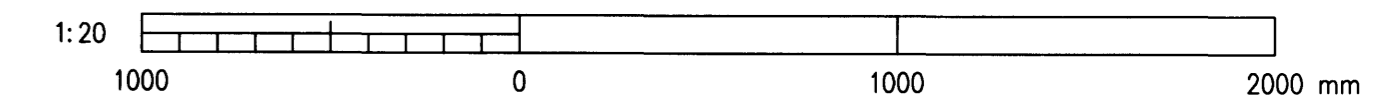
1:20



2:20



.Concrete cover 30 mm.
Concrete: fiber reinforced C40/50.
Structural steel S355 JR.
Bolts and threaded bars 8.8.
Reinforcement: B500C



Skýringar:
Explanations:



01	Issued for use	10.02.09	MRJ		
Bryt. Rev.	Breyting Revision	Dags. Date	Samb. Approved	Nokk. Released	
Tilv.tekningar nr. ISAL Ref.drawing no. of ISAL		Samsetn.tekningar nr. ISAL Assembly drawing no. of ISAL			

Fjöldi stúkkja Number of pieces		Hlutur Object	Atriði Item	Efni Material	no. stk Weight	total t. heild kg. bygd	Althugsamerir Remarks
IV	III	II	I	IDP 420 - POTROOM 1-2		Stærð Format	A1
STRENGTHENING OF ANODE COLUMNS A4-A5						Mv. Scale	1:5, 1:20
Vertical / Supplier						Stærð Format	5011
HRV						Tekn.nr. vertika / Dr.no. of suppl. IDP-421-CA-079-609	Bryt./Rev. 01
Tilvæðing Drawn						Yfirgafið Checked	Samþykkt Approved
RioTinto Alcan						ISAL Dr.no. of ISAL / Tekn.nr. ISAL	Bryt./Rev. 01
Tilvæðing Drawn						Yfirgafið og þröð Checked and filed	Notkun heimilub Released

This drawing is the property of the Rio Tinto Alcan Iceland Ltd. and handed out for personal use only. It may neither be copied nor made available to others without permission of the Rio Tinto Alcan Iceland Ltd. The receiver is liable for any misuse.