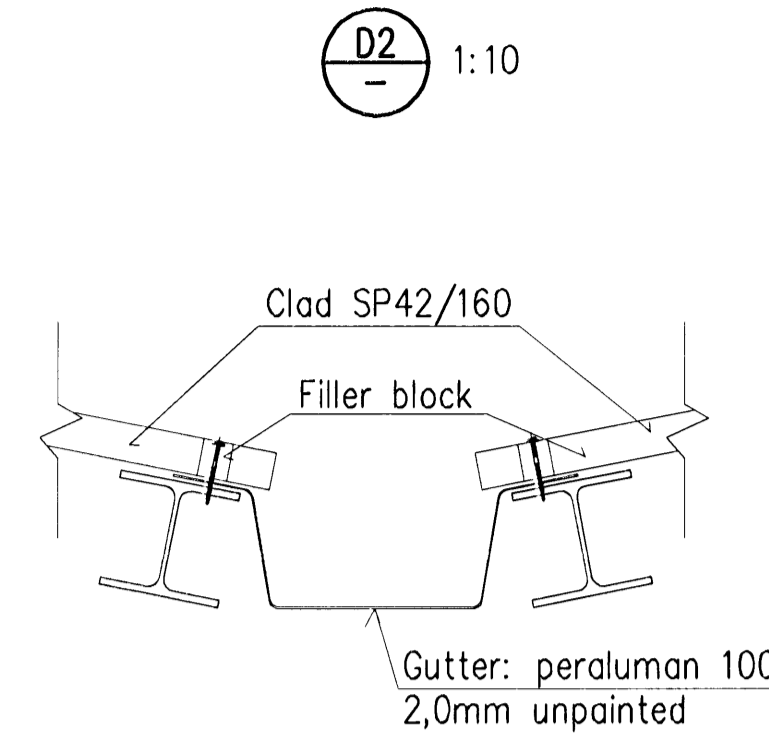
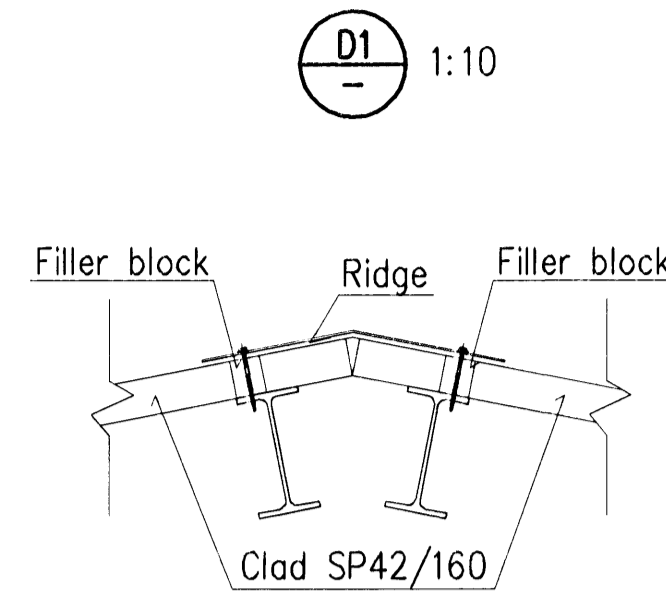
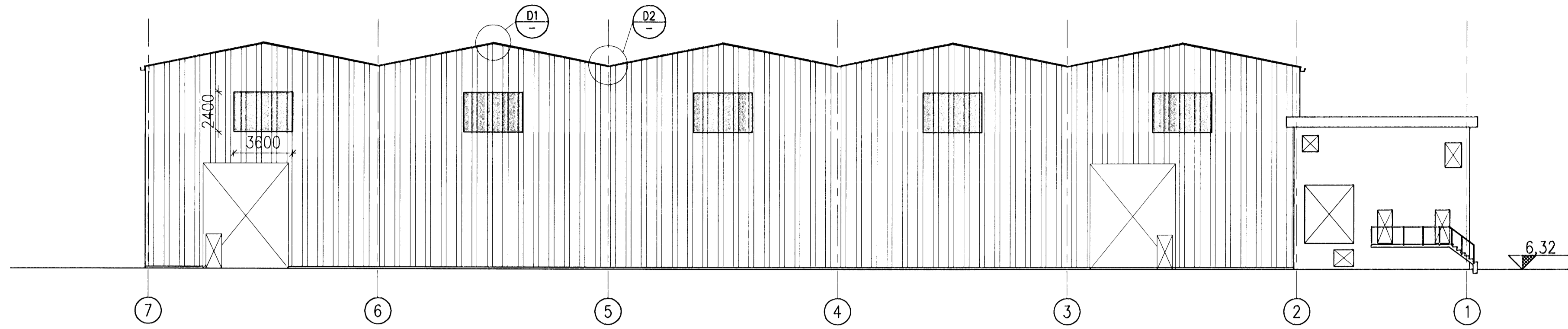


OUTSIDE VIEW, 1:50

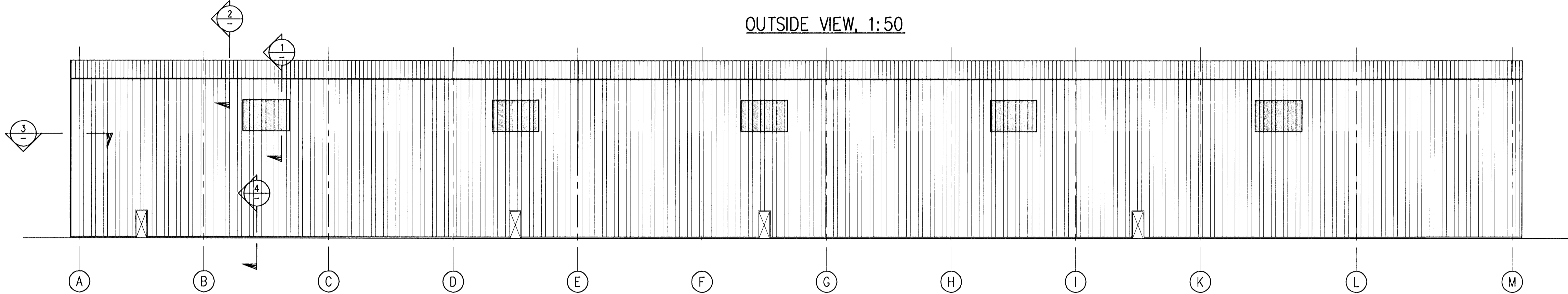
Format A1 (841x594 mm) is 20 mm outside of this frame



Samþykkt
10 FEB 2009
Byggingafulltrúinn (Húsnæðing)
F.h. Hrólfur S. Gunnlaugsson

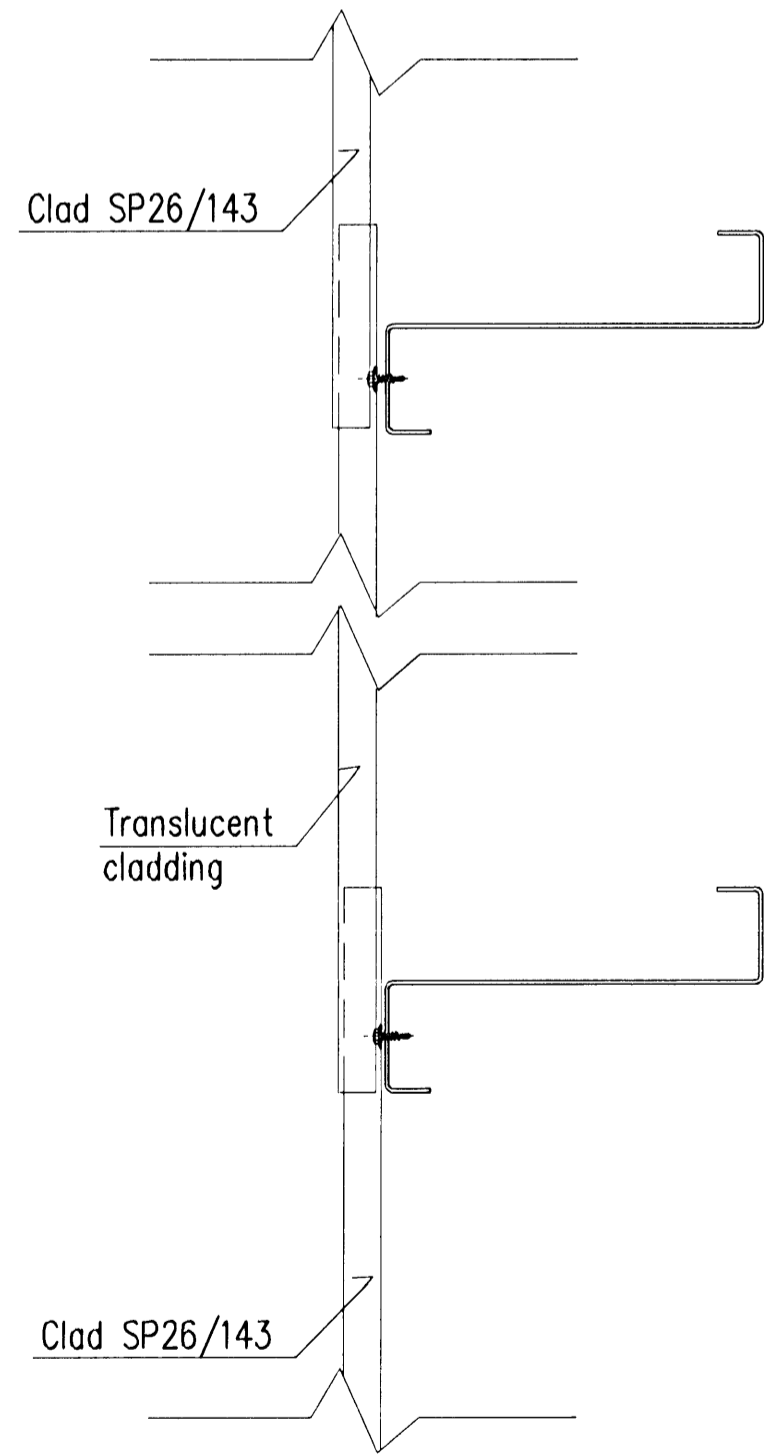
Níel Indriðason
NÍ 23.01144-3749

OUTSIDE VIEW, 1:50

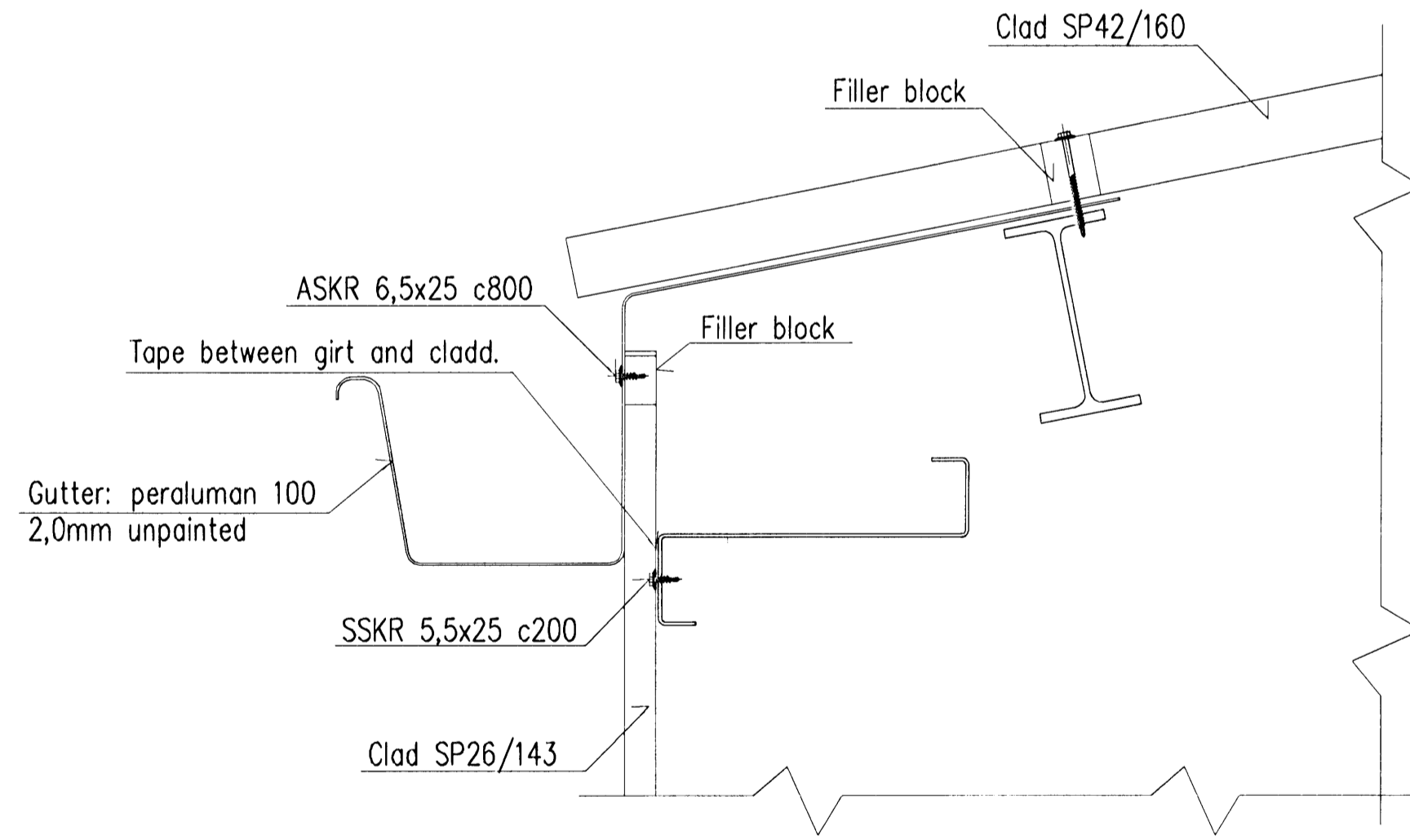


4
1:5

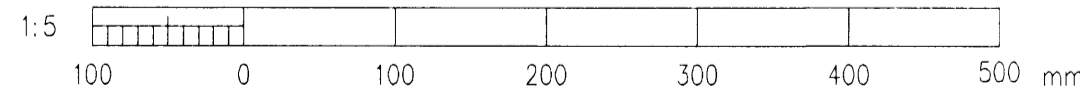
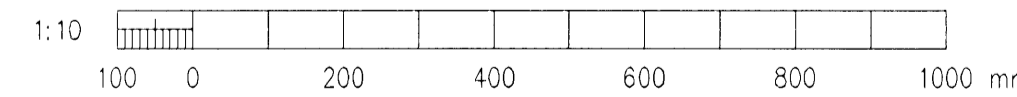
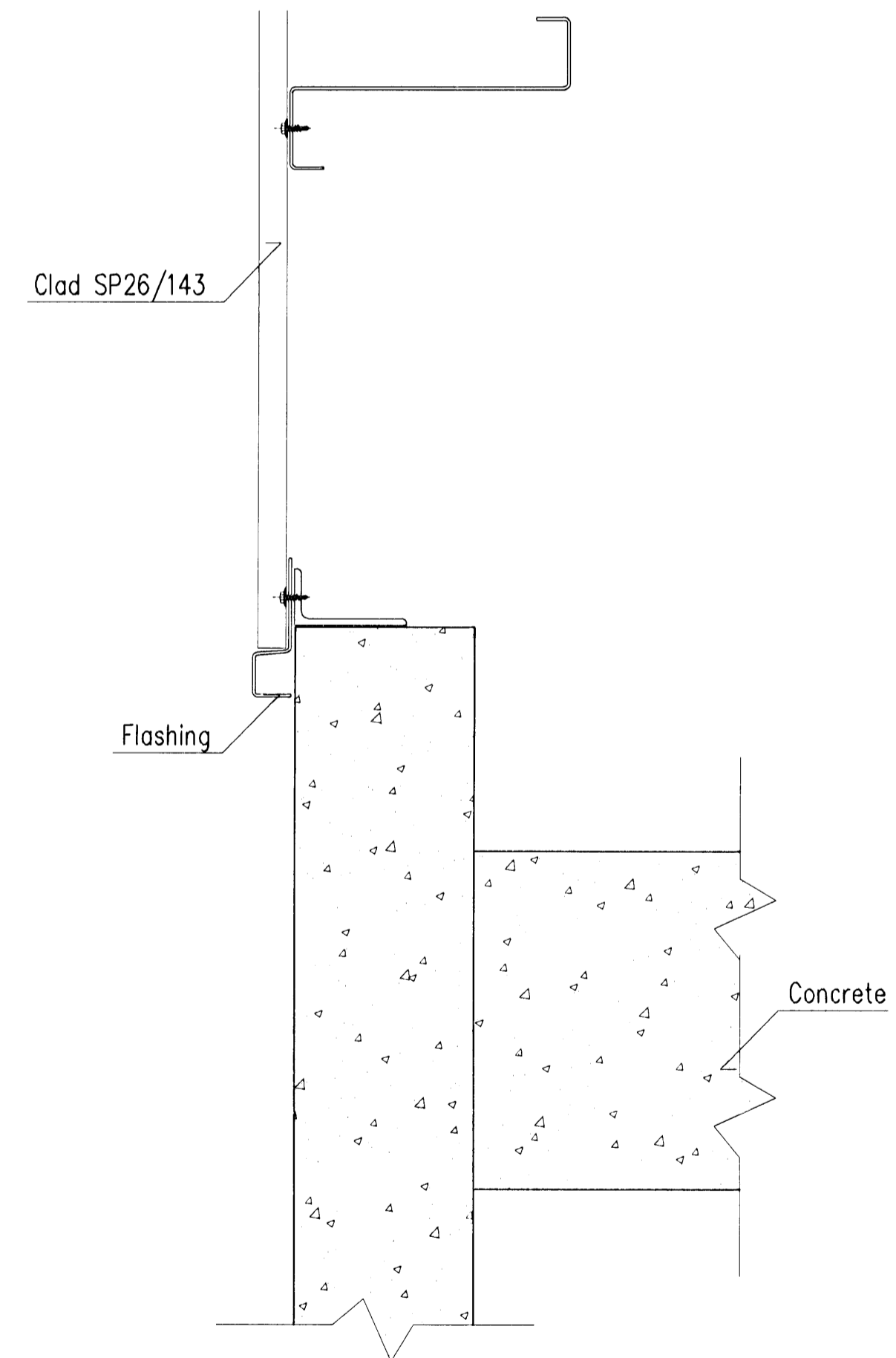
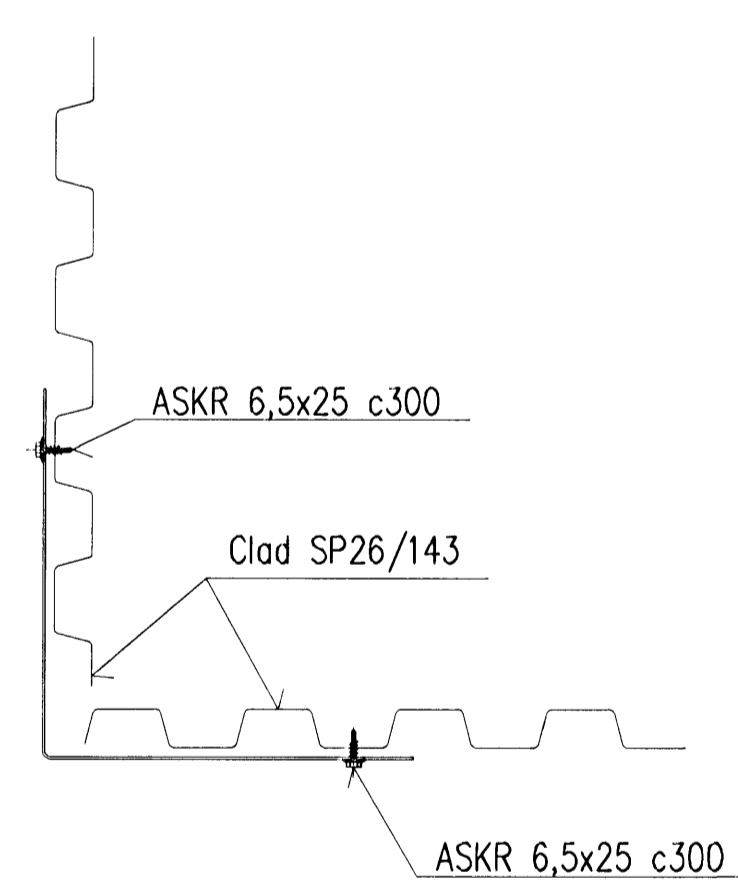
1
1:5



2
1:5



3
1:5



Skýringar:
Explanations:

| Fjöldi stykja Number of pieces | Hútur Object | Atriði Item | Efni Material | eo.stk Weight (kg) | total fj. hella Total no. of pieces | Athugasemdir Remarks |
|-----------------------------------|----------------------|----------------|------------------|------------------------|--|-------------------------|
| 2 | Issued for use | 08.12.18 | | | | |
| 1 | Issued for tendering | 08.10.01 | OS | | | |
| | Breyt. / Rev. | Days / Date | Samb. / Approved | Mak. heimil / Released | | |

| | | | | | | | | | | | | | | |
|---|--|-----------------------------------|-------------|-----------------|---|----------------|----|------------------|------|-----------------------|---|--|----------|-------------------------|
| This drawing is the property of the Rio Tinto Alcan Iceland Ltd and handed out for personal use only. It may neither be copied nor made available to others without permission of the Rio Tinto Alcan Iceland Ltd. The receiver is liable for any misuse. | | Fjöldi stykja Number of pieces | IV III II I | Hútur Object | IDP-410 - SUBSTATION 220 KV SWITCHYARD BLD. AND 60 KV SWITCHGEAR BLD. OUTSIDE VIEW, CLADDING | Atriði Item | AI | Efni Material | 4011 | eo.stk Weight (kg) | 2 | total fj. hella Total no. of pieces | 5/10/200 | Athugasemdir Remarks |
| | | teiknað / Drawn | HS/LDB | 2008.10.01 | Yfirfarið / Checked | NI | | | | | | | | |
| | | teiknað / Drawn | | | | | | | | | | | | |

