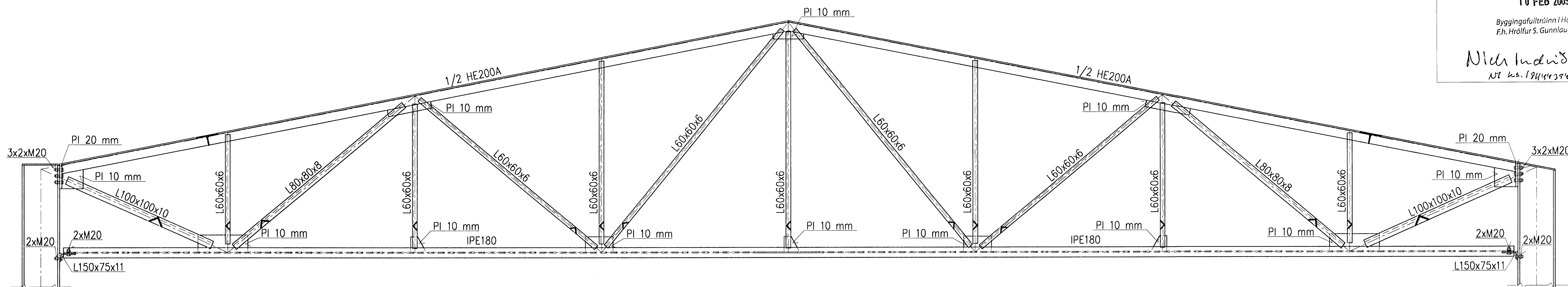


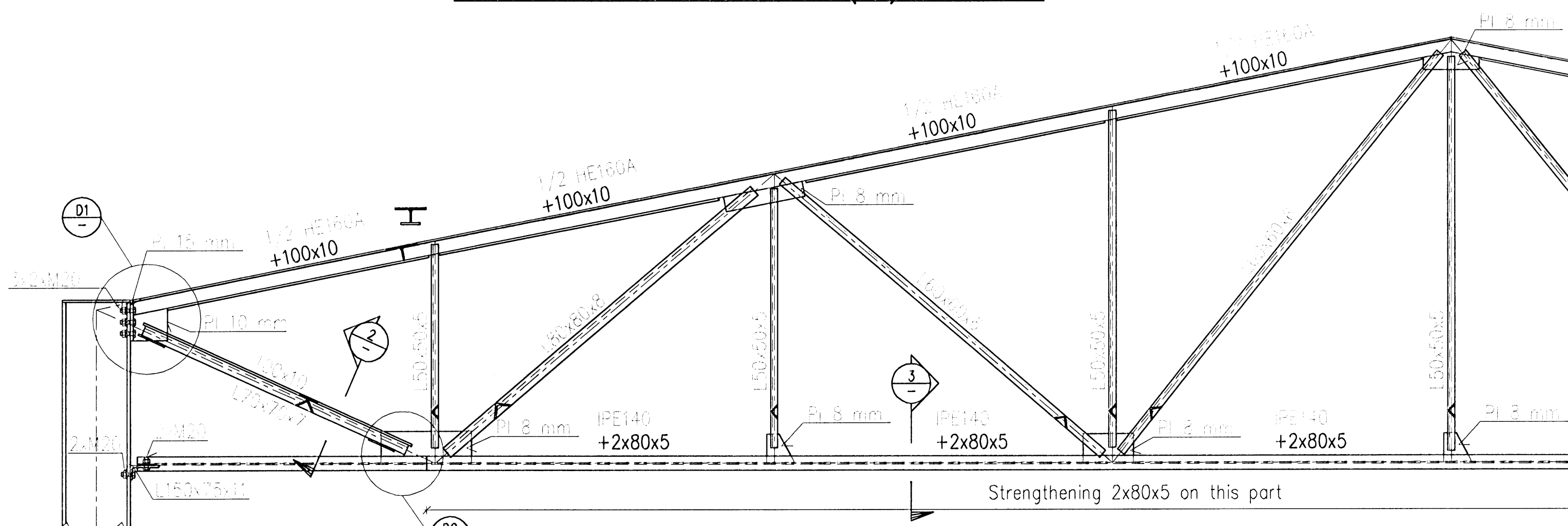
ROOF BEAMS (RB)



Sambýkkj barn
10 FEB 2009
Byggingafráttirinn í Hálfarfi
Fh. Hörfur S. Gunnlaugsson

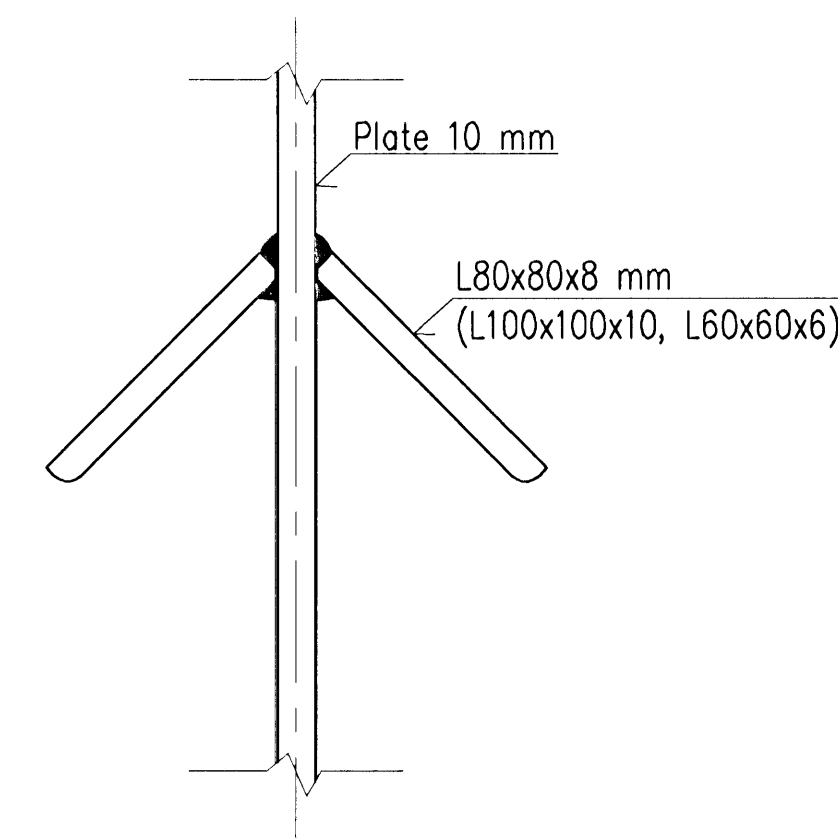
Niel Indursson
Nr. 19443849

STRENGTHENING OF ROOF BEAMS (RB) IN LINE K



Same strengthening on the other half of the beam and other beams in line K

CONNECTIONS FOR DIAGONALS, 1:2



D1 1:5

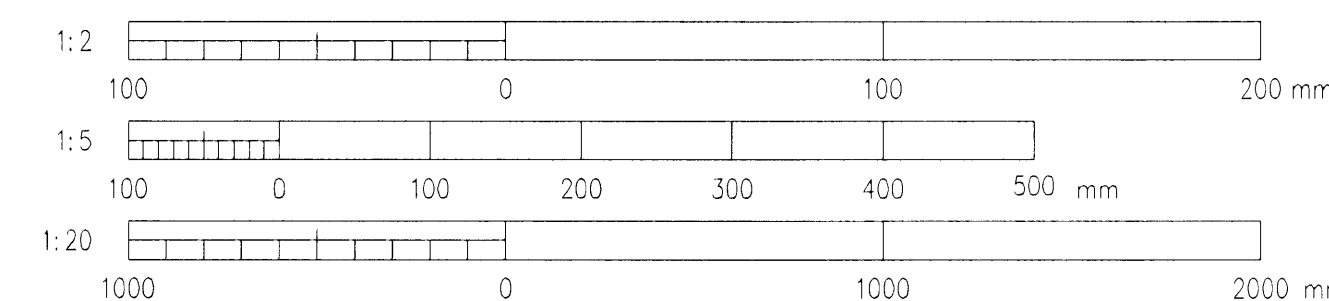
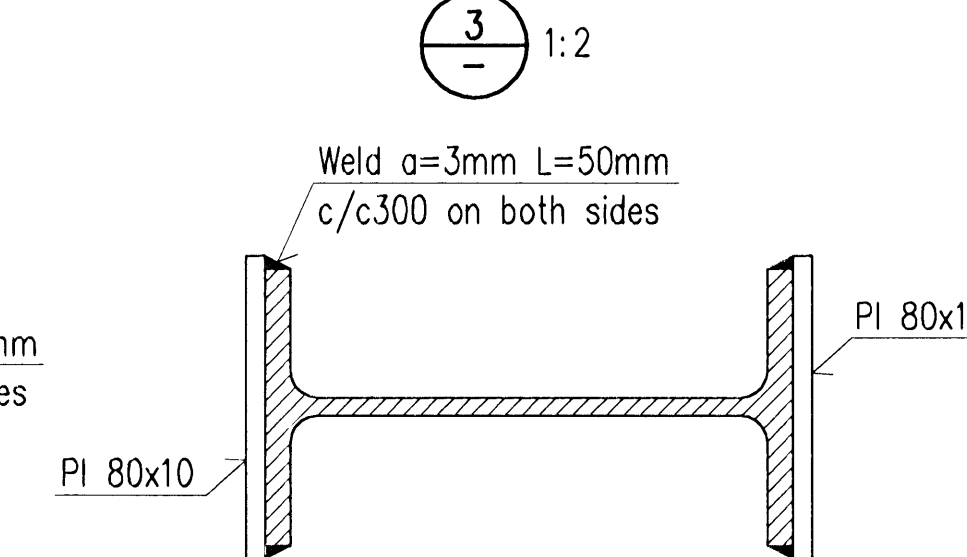
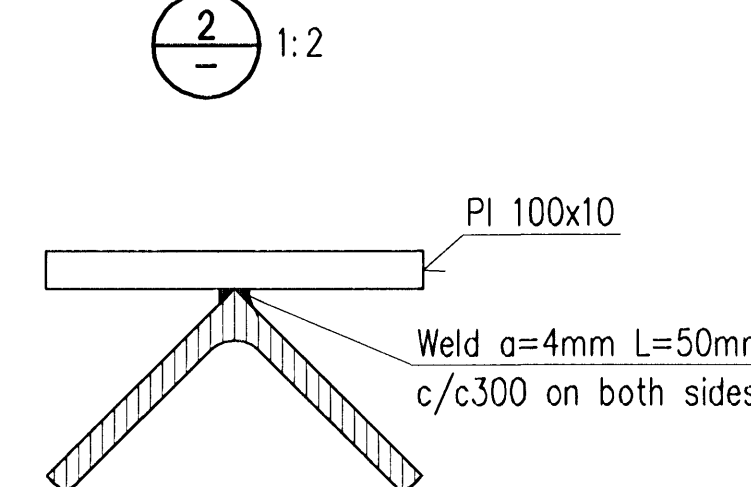
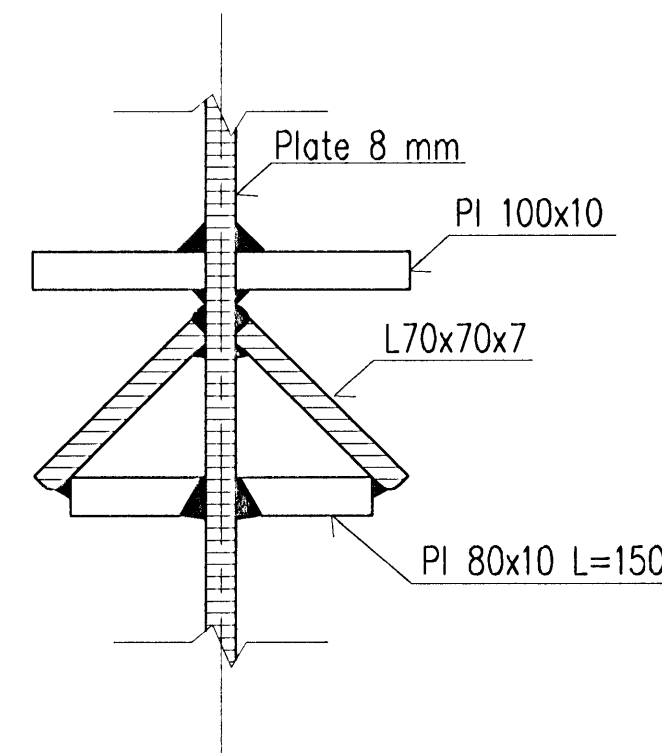
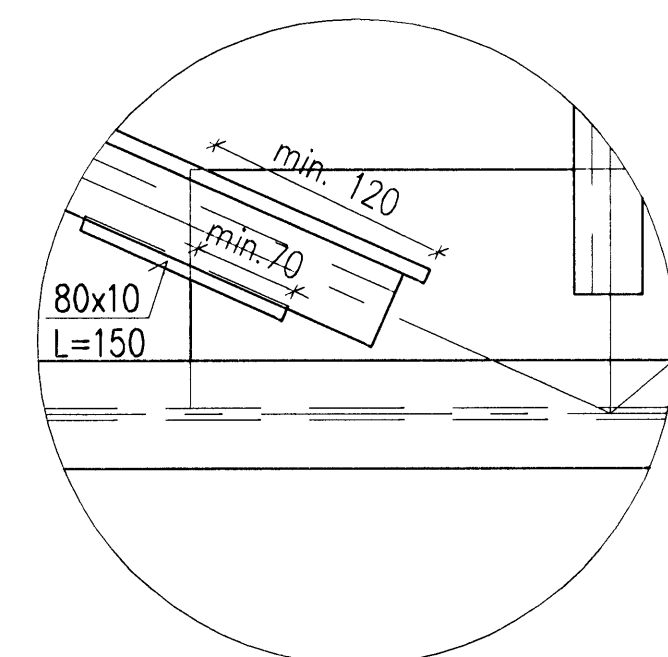
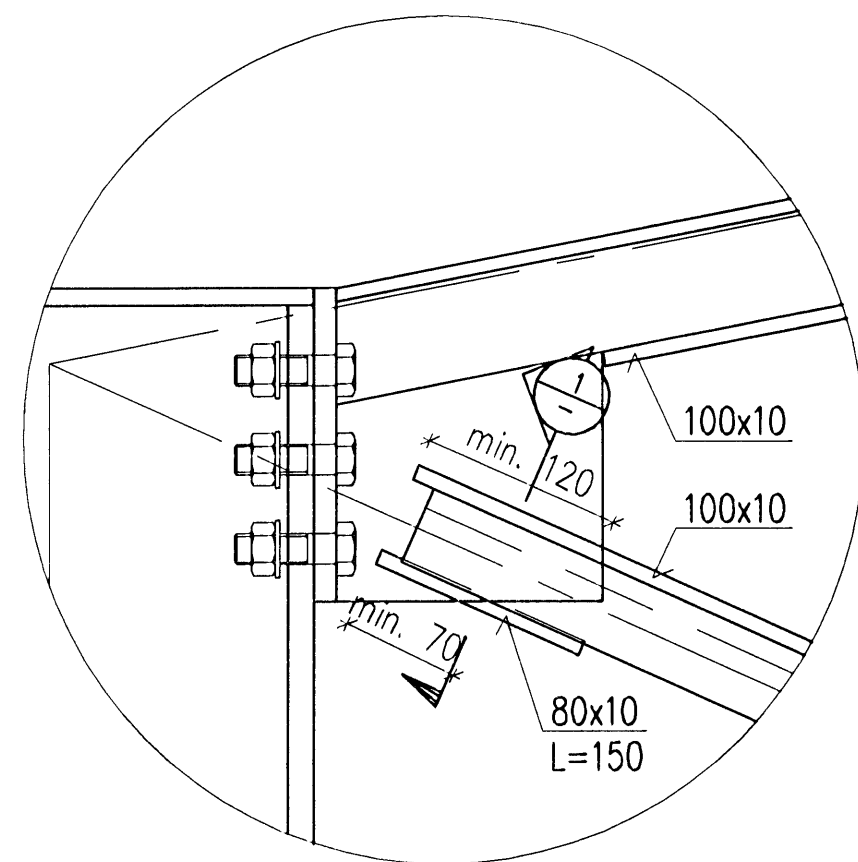
D2 1:5

1 1:2

STRENGTHENING OF DIAGONAL, 1:2

2 1:2

3 1:2



Skýringar:
Explanations:

Revisión	Bygging	Dagur	Stað	Stað	Stað
2	Issued for use	08.12.18			
1	Issued for tendering	08.10.01	ÓS		



Tið teknings nr. ISAL
Ref.drawing no. of ISAL

Samsætning teknings nr. ISAL
Assembly drawing no. of ISAL

This drawing is the property of the Rio Tinto Alcan Iceland Ltd and handed out for personal use only. It may neither be copied nor made available to others without permission of the Rio Tinto Alcan Iceland Ltd. The receiver is liable for any misuse.

Fjöldi stykkja	Hlutur	Atriði	Efni	Stærð	Stærð	Stærð	Stærð	Stærð	Stærð
IV	Object	Item	Material	Weight	Weight	Weight	Weight	Weight	Weight
1	IDP 410 - SUBSTATION								
1	220 kV SWITCHYARD BLD.								
1	STRUCTURAL STEEL								
1	ROOF BEAMS								
1	HRV								
1	ISAL								
1	250167								