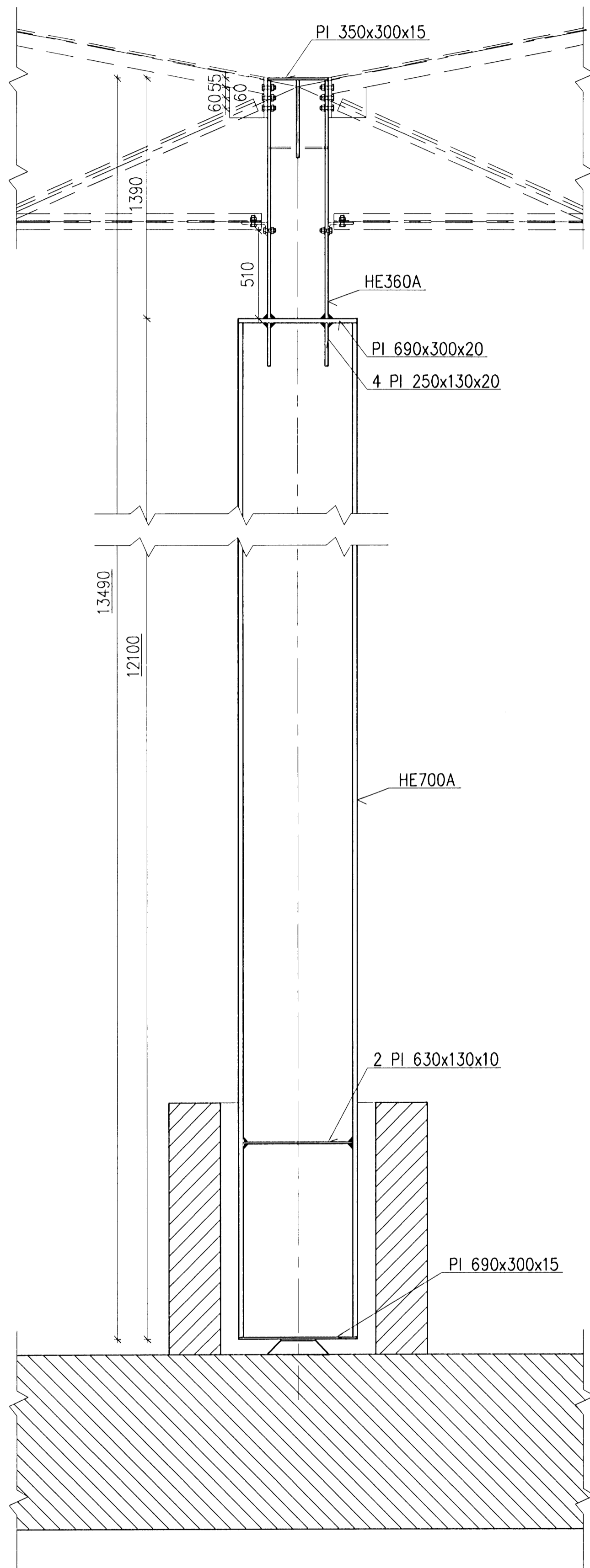
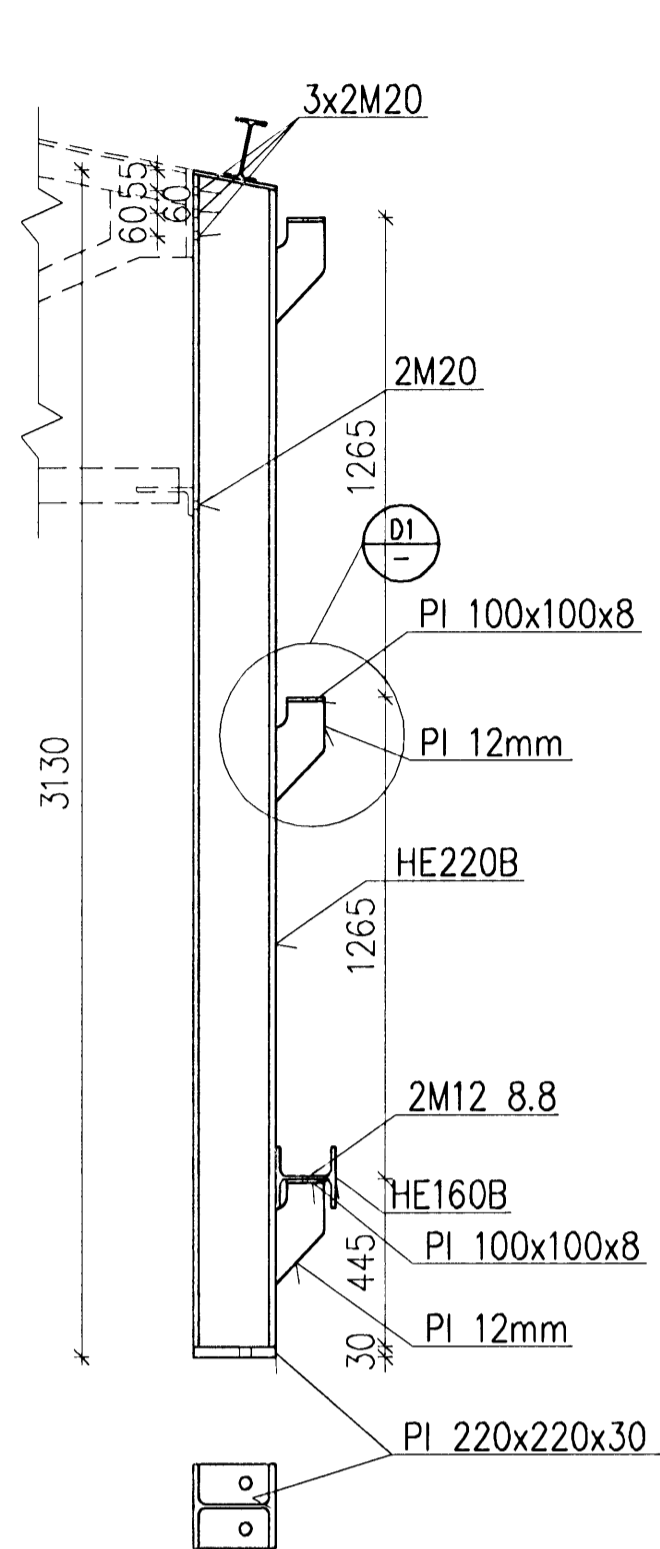


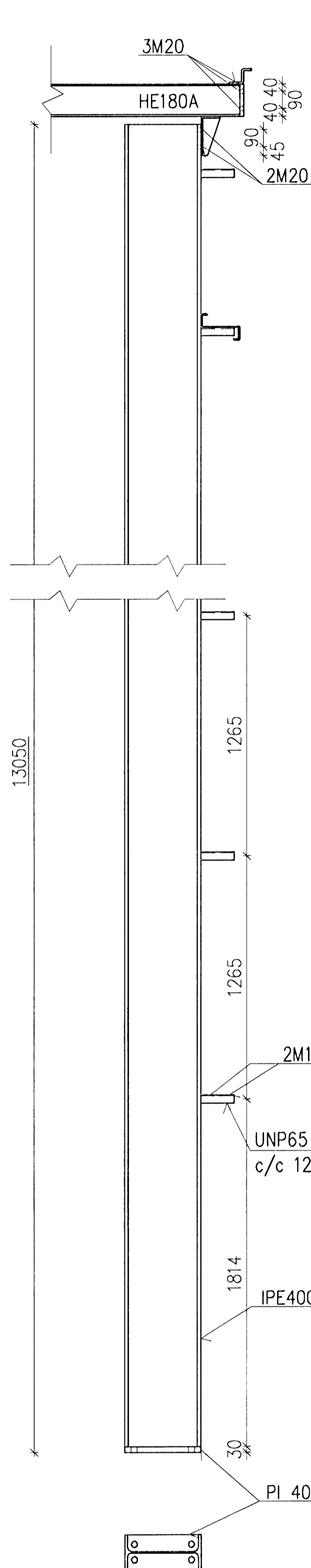
COLUMNS, 1:20
C1, 8 pcs.



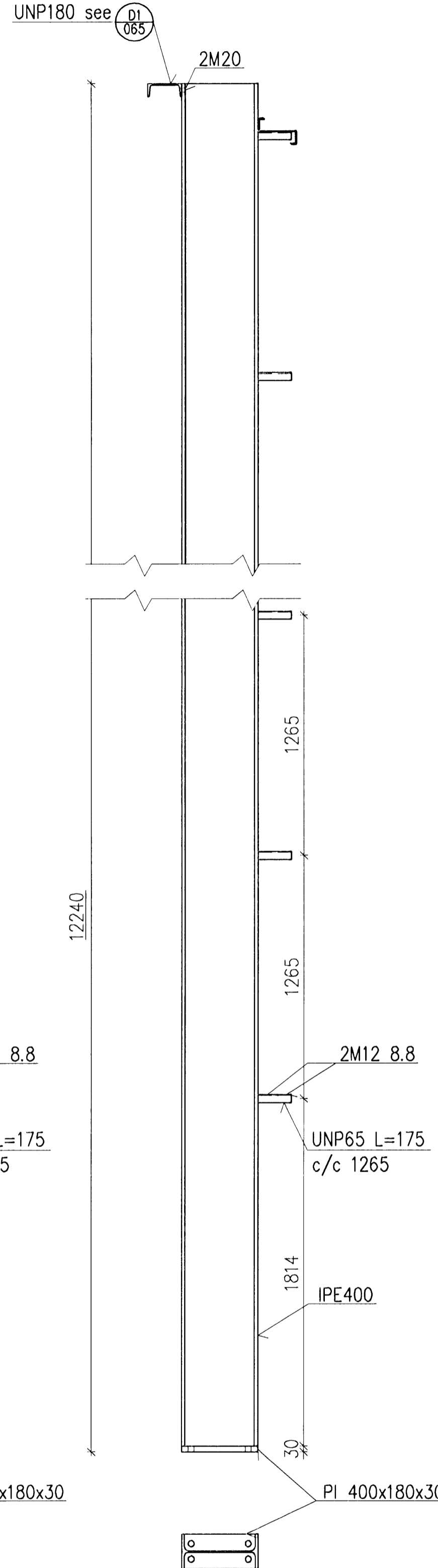
1
063 1:20
C6, 2 pcs



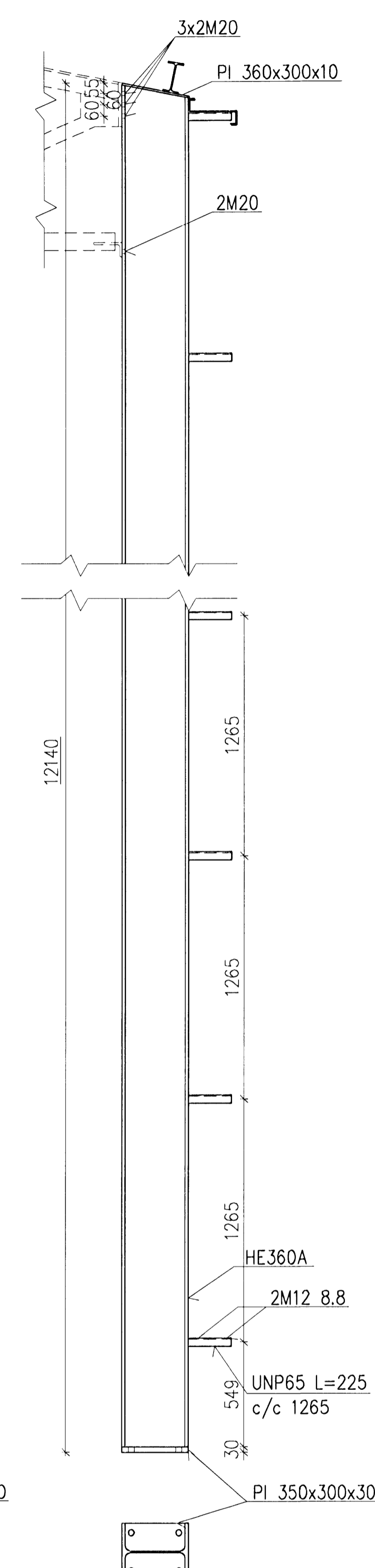
2
063 1:20
C4, 10 pcs



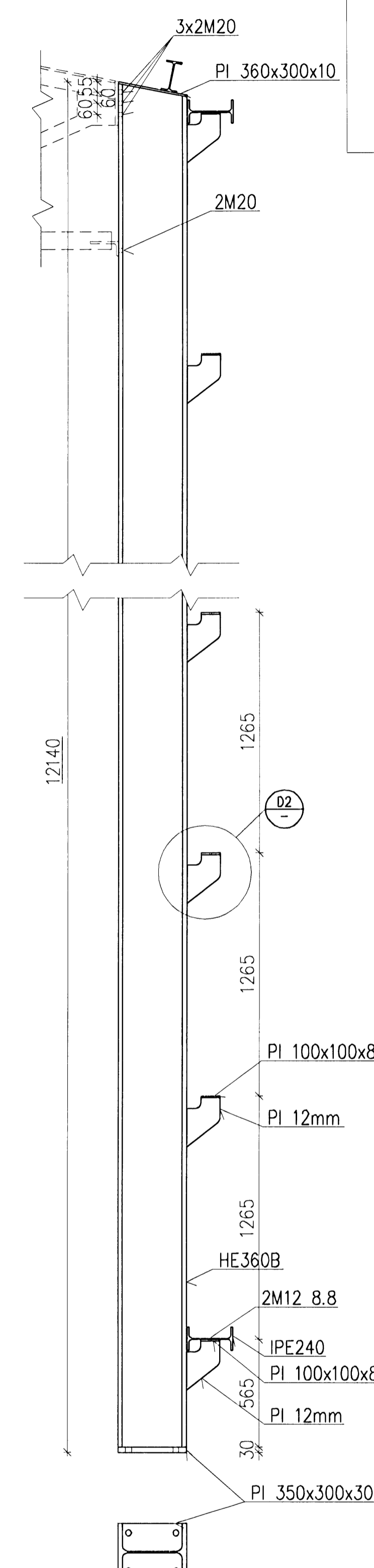
3
063 1:20
C5, 5 pcs



5
064 1:20
C2, 10 pcs



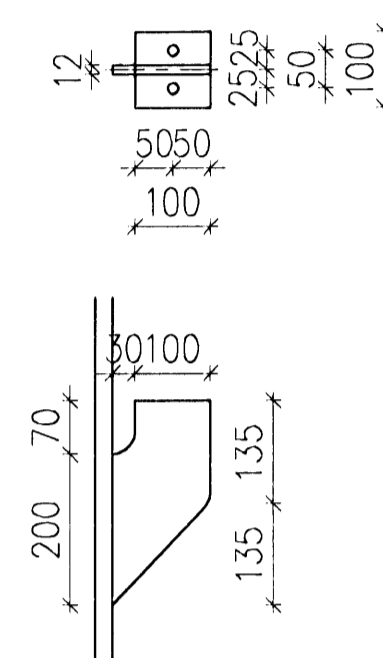
6
064 1:20
C3, 2 pcs



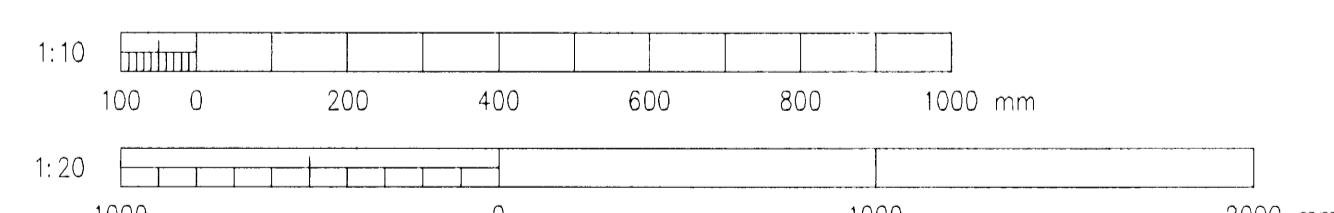
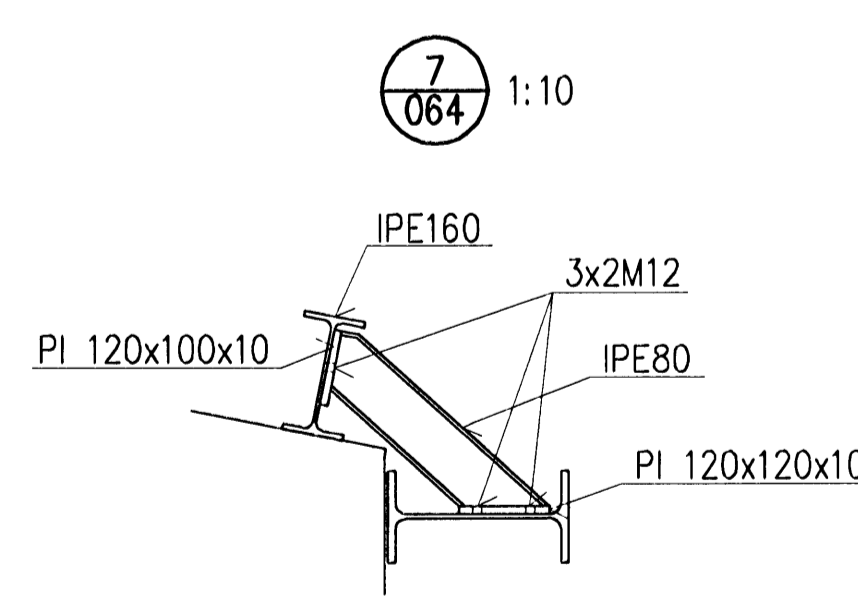
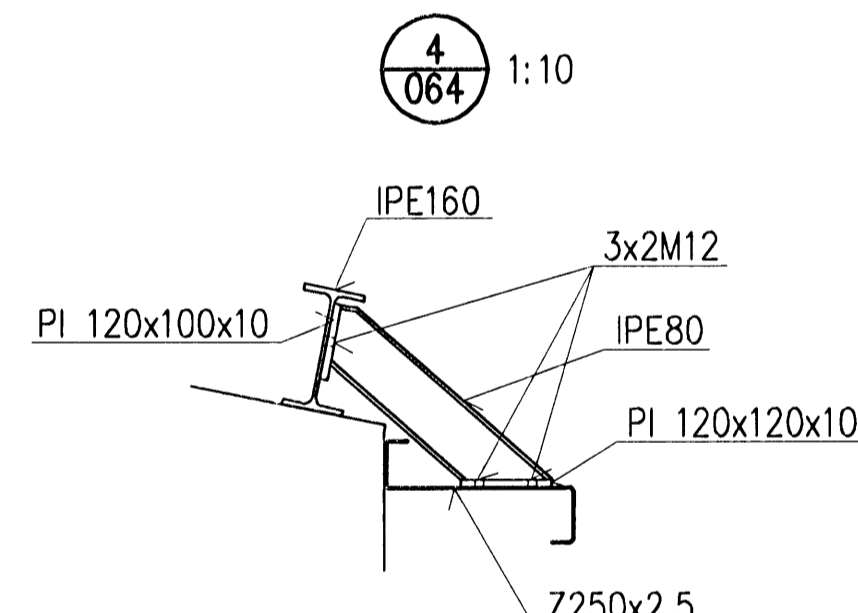
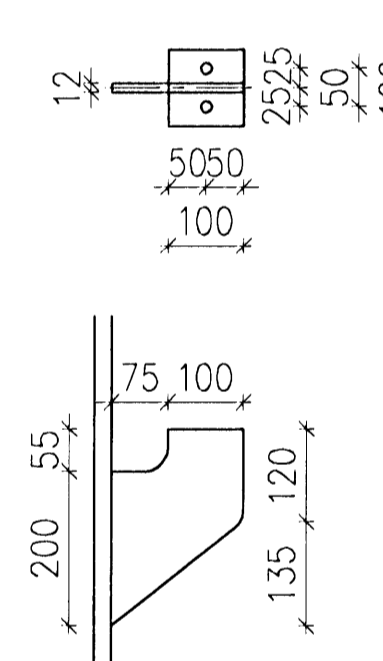
Samblykt þann
10 FEB 2009
Byggingafulltrúinn / Hafnarfróði
F.h. Hörfur S. Gunnlaugsson

Níel Indriðsson
N1 nr. 181144-3847

D1 1:10



D2 1:10



Skýringar:

Explanations:

Fjöldi stykja Number of pieces	Hútur Object	Atriði Item	Efni Material	eo: stk Weight (kg)	total í heild Total (kg)	Athugasemdir Remarks
2	Issued for use					
1	Issued for tendering					

This drawing is the property of the Rio Tinto Alcan Iceland Ltd and handed out for personal use only. It may neither be copied nor made available to others without permission of the Rio Tinto Alcan Iceland Ltd. The receiver is liable for any misuse.		Fjöldi stykja Number of pieces		Hútur Object		Atriði Item		Efni Material		eo: stk Weight (kg)		total í heild Total (kg)		Athugasemdir Remarks	
		IV		IDP 410 - SUBSTATION		HRV		AKS no.		4011		Fekni. verka / Dr.no of suppl		IDP-410-ZA-000-066 2	
		2		220 kV SWITCHYARD BLD.		Samblykt Checked		250166		2		Tæknisá Drawn		2	
		1		STRUCTURAL STEEL		Samblykt Checked		250166		2		Tæknisá Drawn		2	
		1		COLUMNS		Samblykt Checked		250166		2		Tæknisá Drawn		2	

