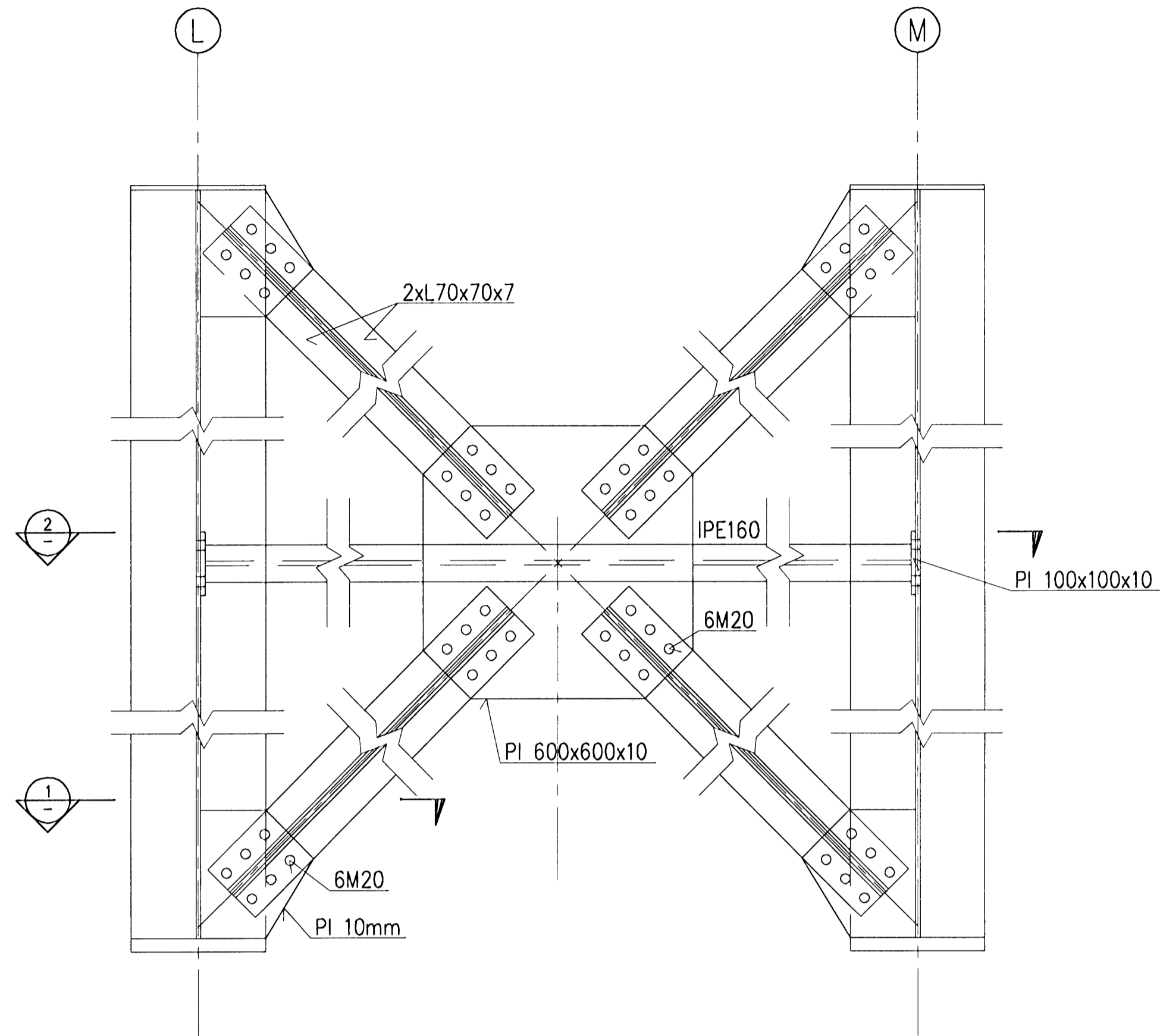
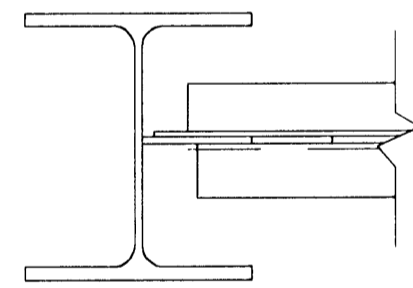


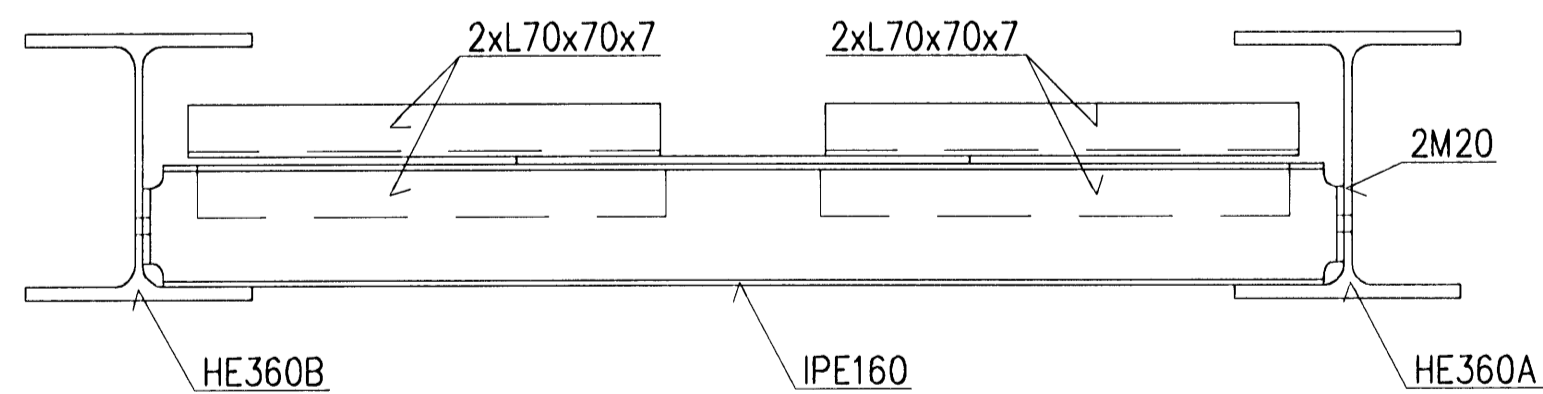
WALL BRACING IN LINE 7 BETWEEN L-M AND A-B, 1:10



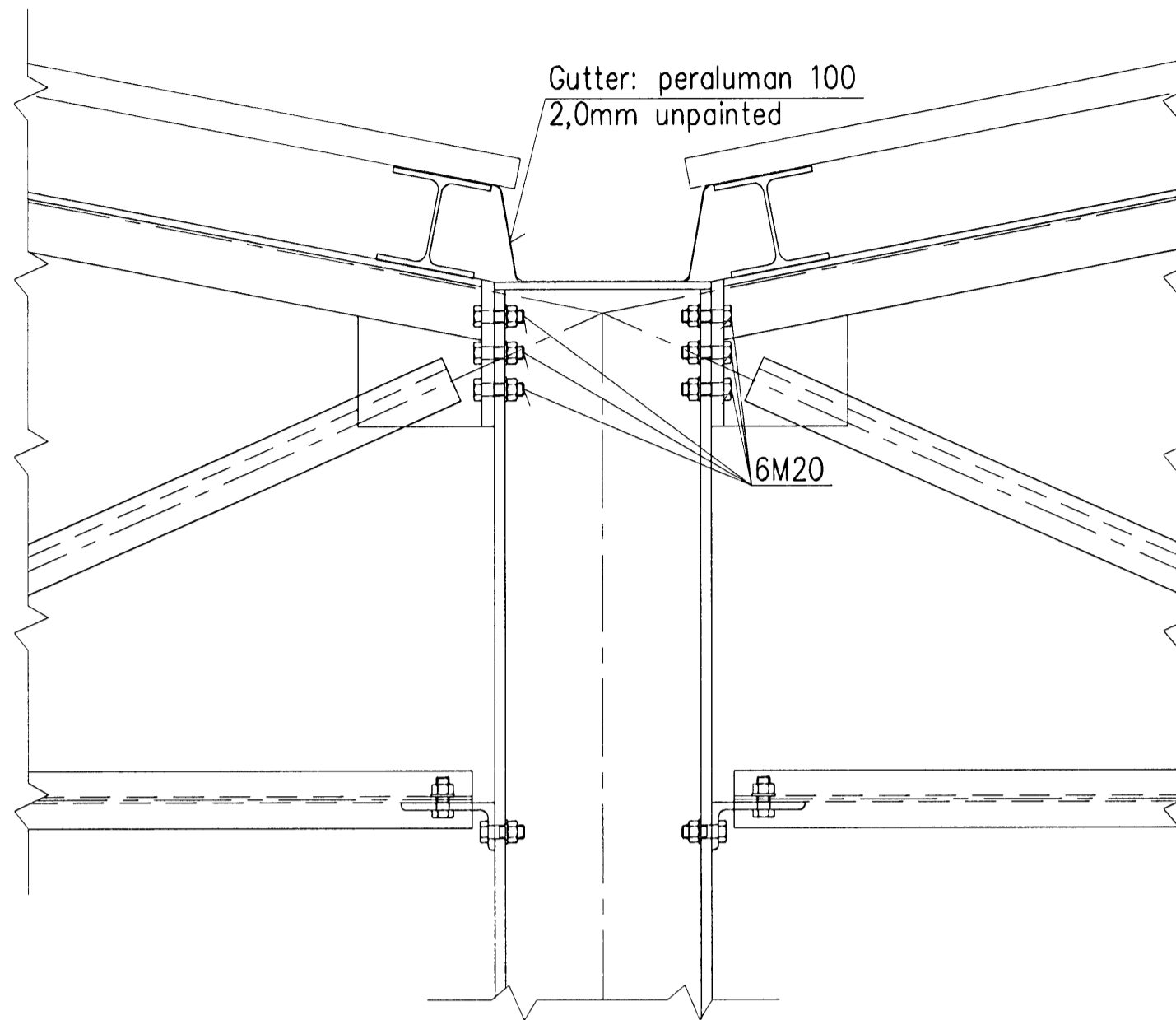
1/10



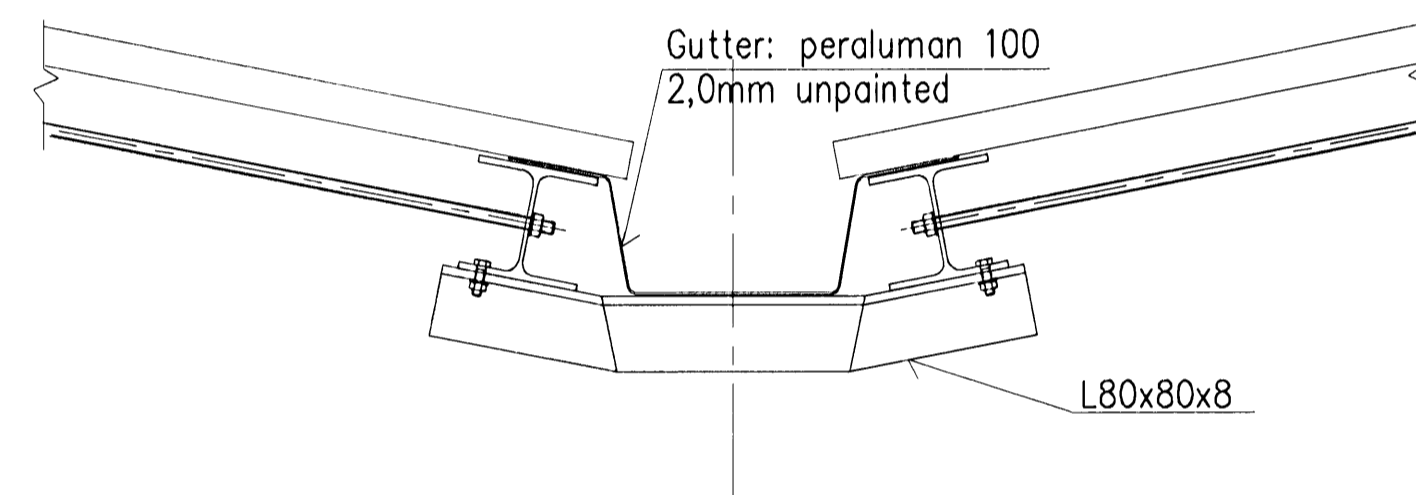
2/10



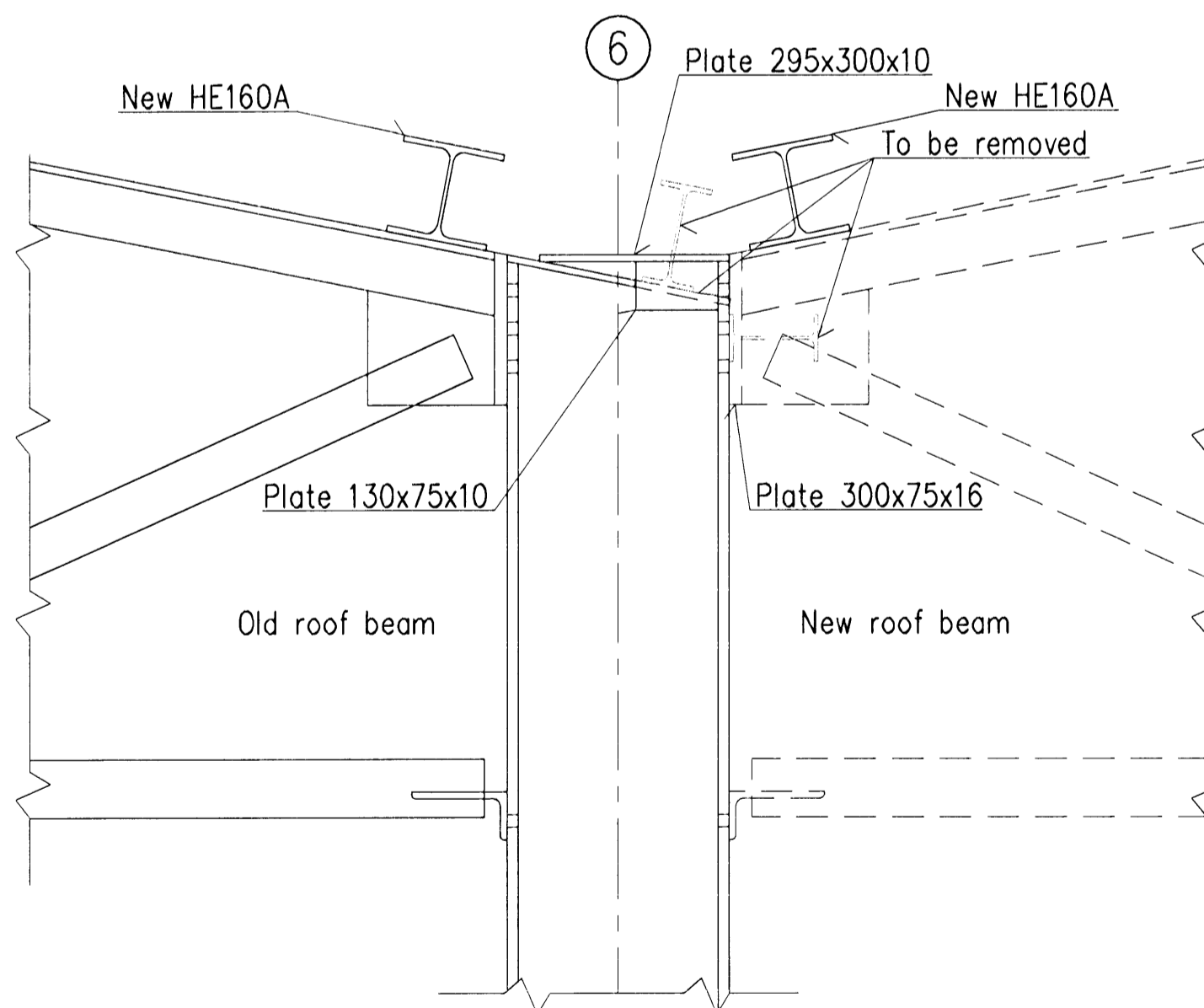
GUTTERS, 1:10



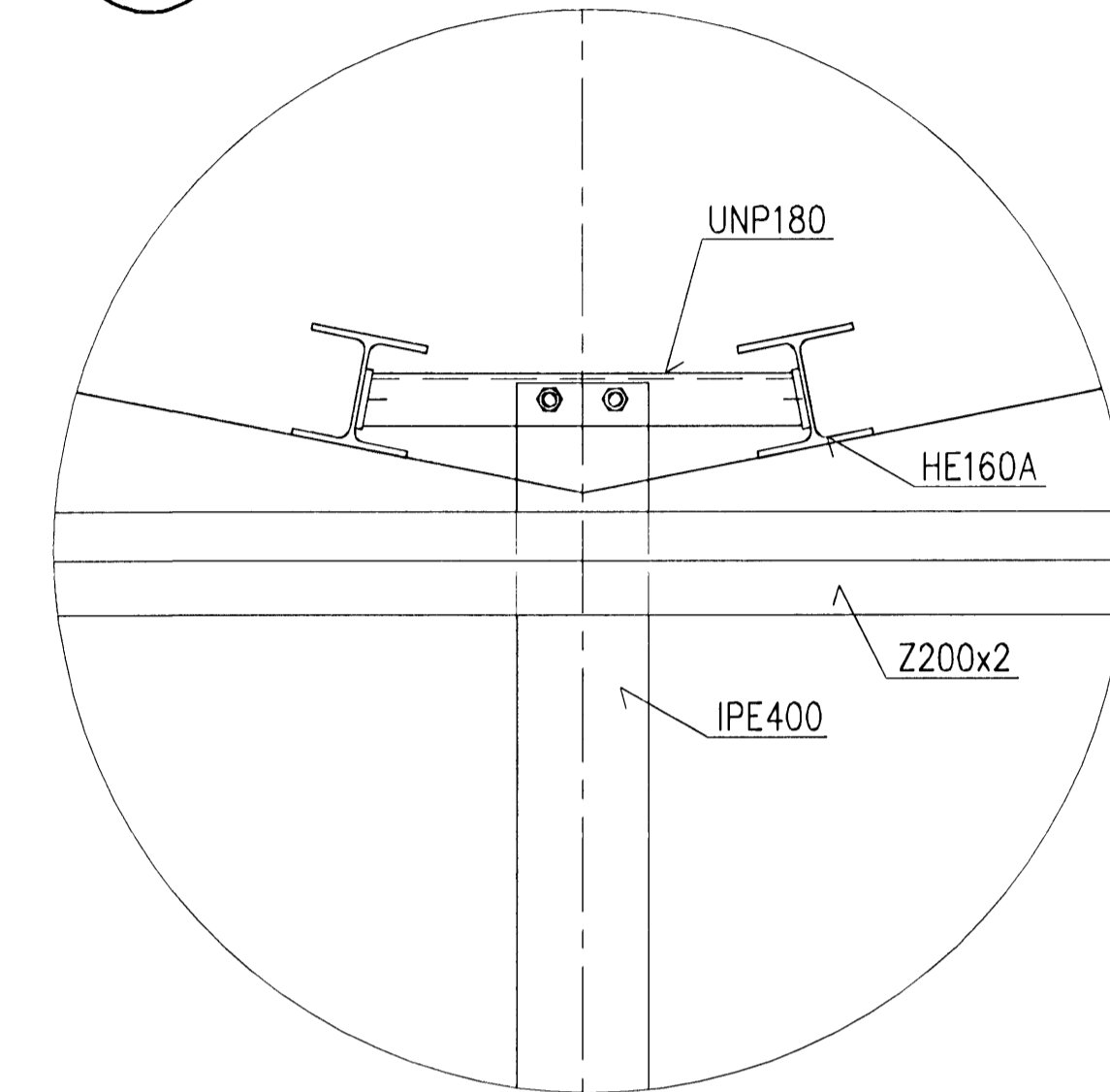
BRACING DETAIL AT GUTTERS, 1:10



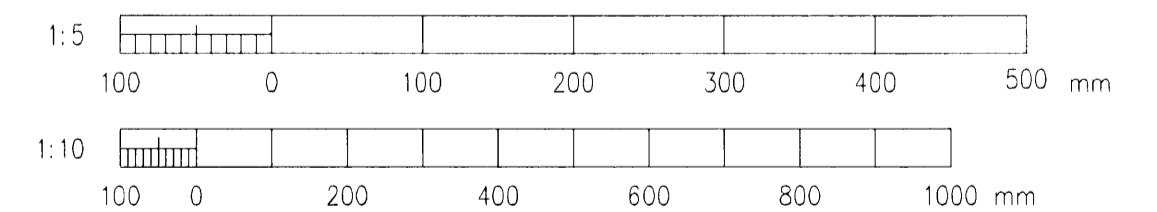
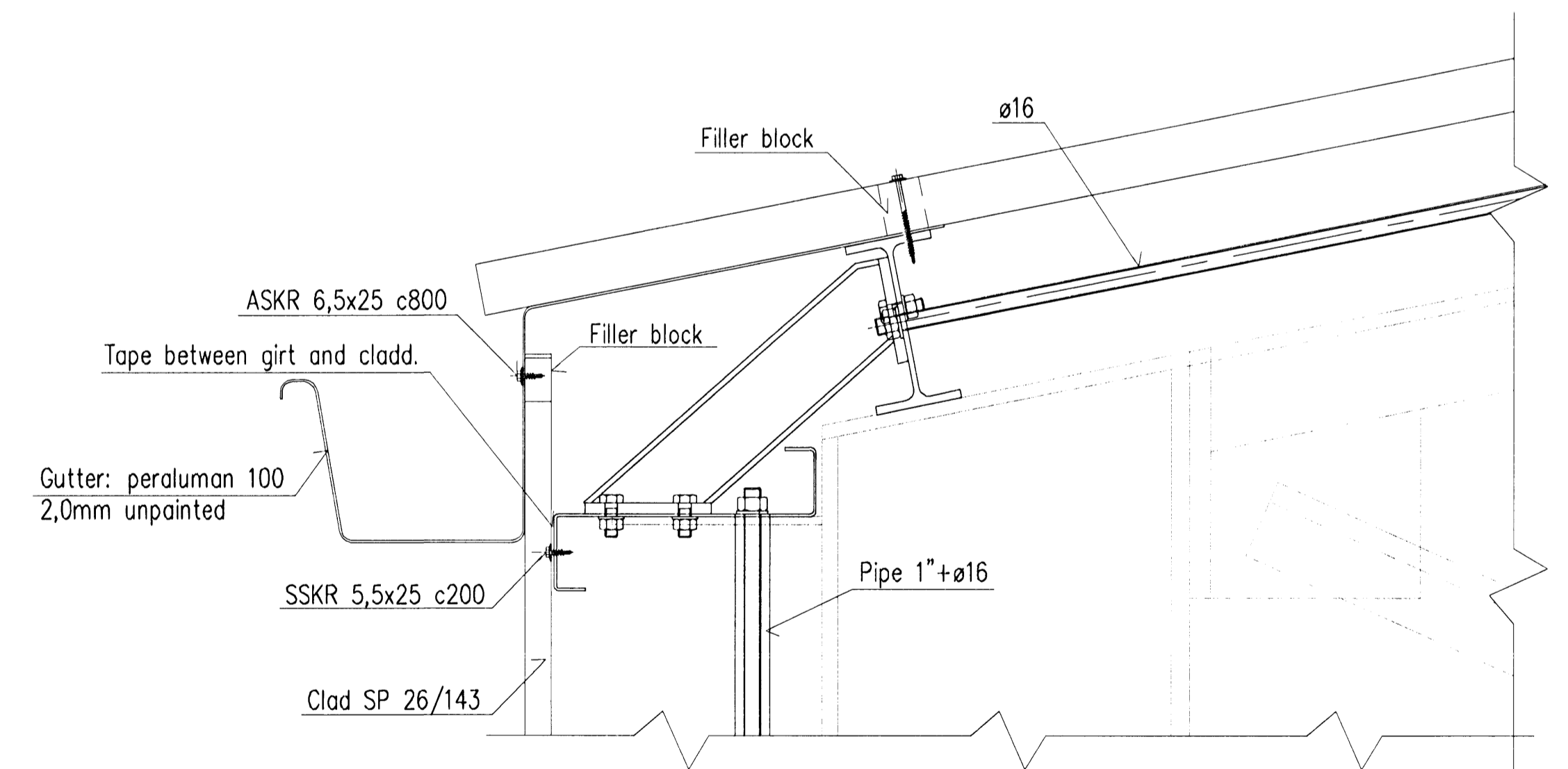
COLUMNS IN LINE 6, 1:10



D1 063 FASTENINGS FOR COLUMNS C5, 1:10

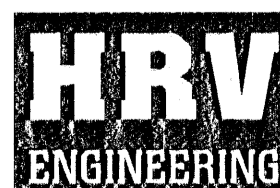


BRACING DETAIL AT EAVE, 1:5



Skýringar:
Explanations:

2	Issued for use	08.12.18		
1	Issued for tendering	08.10.01	ÓS	
Breytl. Rev.	Breyting Revision	Dags Date	Samb. Approved	Nölk. heiml. Released



Tiltekið: ISAL
Ref. drawing no. of ISAL

Samsætt tekið: ISAL
Assembly drawing no. of ISAL

Fjöldi stykja / Number of pieces IV III II I		Hútur / Object IDP 410 - SUBSTATION 220 kV SWITCHYARD BLD. STRUCTURAL STEEL CLADDING DETAILS AND WALL BRACING		Atriði / Item A1		Eftir / Material HRV		Eign / Weight 4011		Hlotið / Scale 1:5, 1:10	
Tekni / Supplier ASKR		Tekni / Supplier SSKR		Tekni / Supplier Clad		Tekni / Supplier Pipe		Tekni / Supplier Gutter		Tekni / Supplier Plate	
Tekni / Supplier ASKR		Tekni / Supplier SSKR		Tekni / Supplier Clad		Tekni / Supplier Pipe		Tekni / Supplier Gutter		Tekni / Supplier Plate	
Tekni / Supplier ASKR		Tekni / Supplier SSKR		Tekni / Supplier Clad		Tekni / Supplier Pipe		Tekni / Supplier Gutter		Tekni / Supplier Plate	