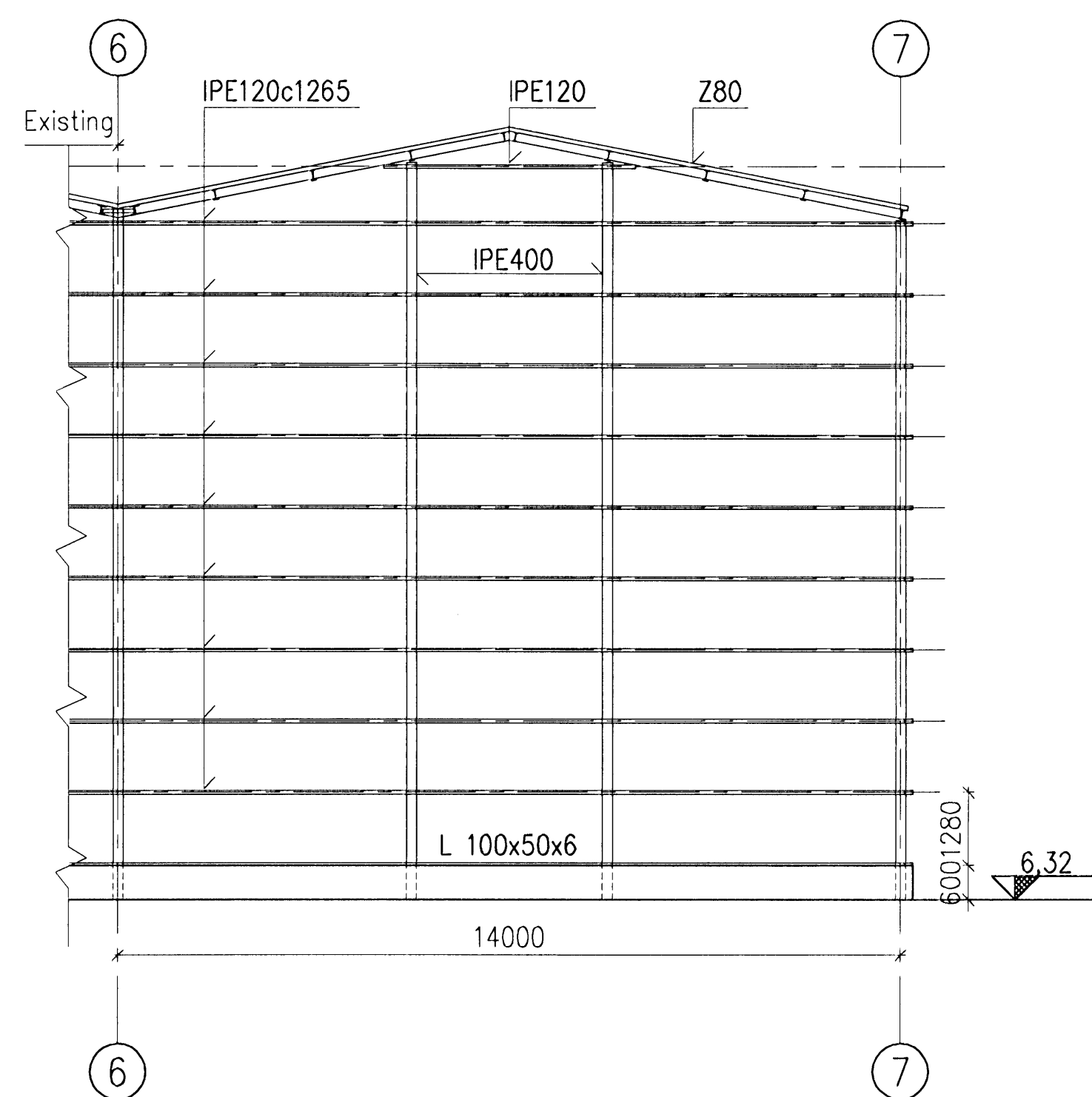
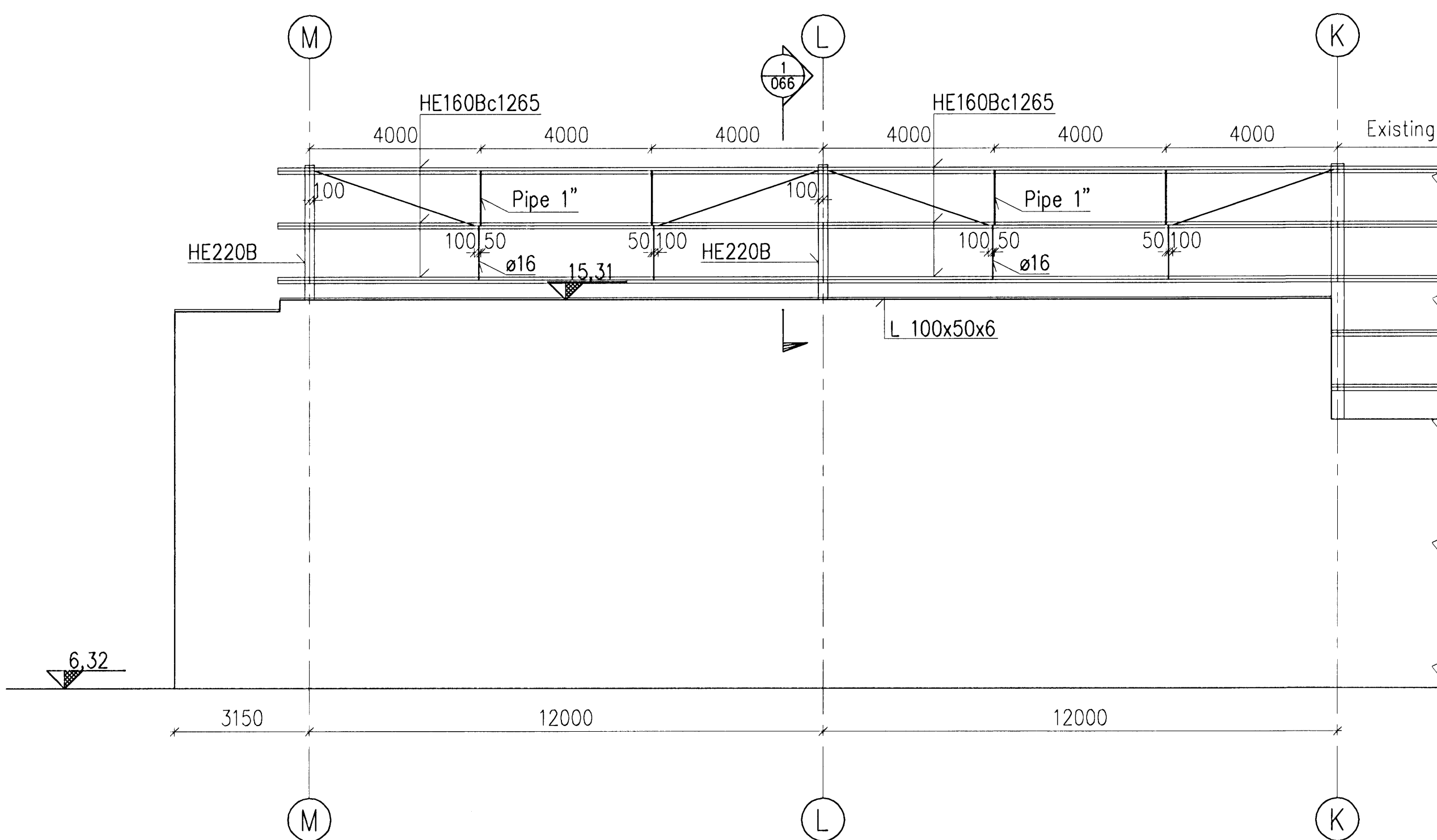


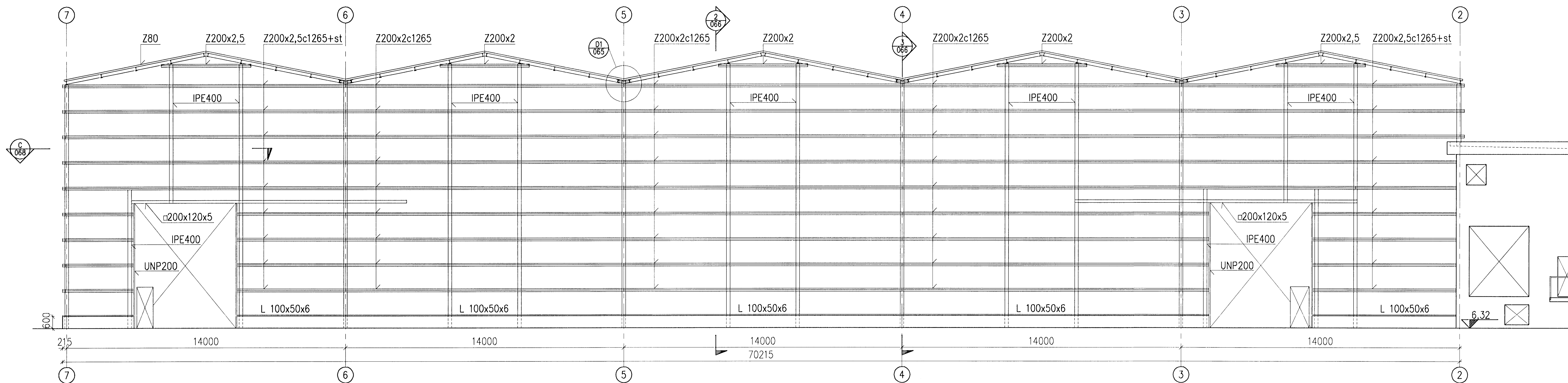
WALL IN LINE A
OUTSIDE VIEW



WALL IN LINE 1
OUTSIDE VIEW



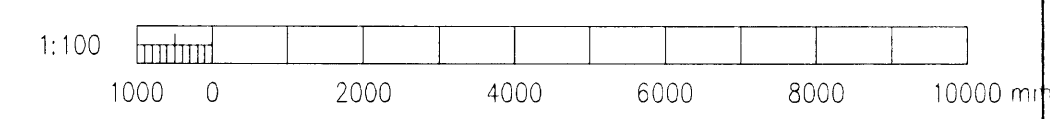
WALL IN LINE M
OUTSIDE VIEW



Samþykkt þann
10 FEB 2009

Byggingafráttunn / Hafnarfróði
F.h. Hrólfur S. Gunnlaugsson

Niel Indriásson
Ní 65.181144-3121



Skýringar:
Explanations:

Þráttir / Revisions	Dagur / Date	Samþ. / Approved	Notk. heimil. / Released
2 Issued for use	08.12.18	[Signature]	
1 Issued for tendering	08.10.01	ÓS	

Fjöldi stykja / Number of pieces		Hlutur / Object		Atriði / Item		Efni / Material		Gæðst. / Quality		Stærð / Size		Mál. / Scale	
IV	III	II	I	IDP 410 - SUBSTATION		HRV		250163		A1		1:100	
This drawing is the property of the Rio Tinto Alcan Iceland Ltd and handed out for personal use only. It may neither be copied nor made available to others without permission of the Rio Tinto Alcan Iceland Ltd. The receiver is liable for any misuse.													
Teknið / Drawn: HS/LDB 2008.10.01 Yfirfarð / Checked: NI Samþykkt / Approved: [Signature] Dags. / Date: 08.12.18 Samþ. / Approved: ÓS Notk. heimil. / Released:													

