

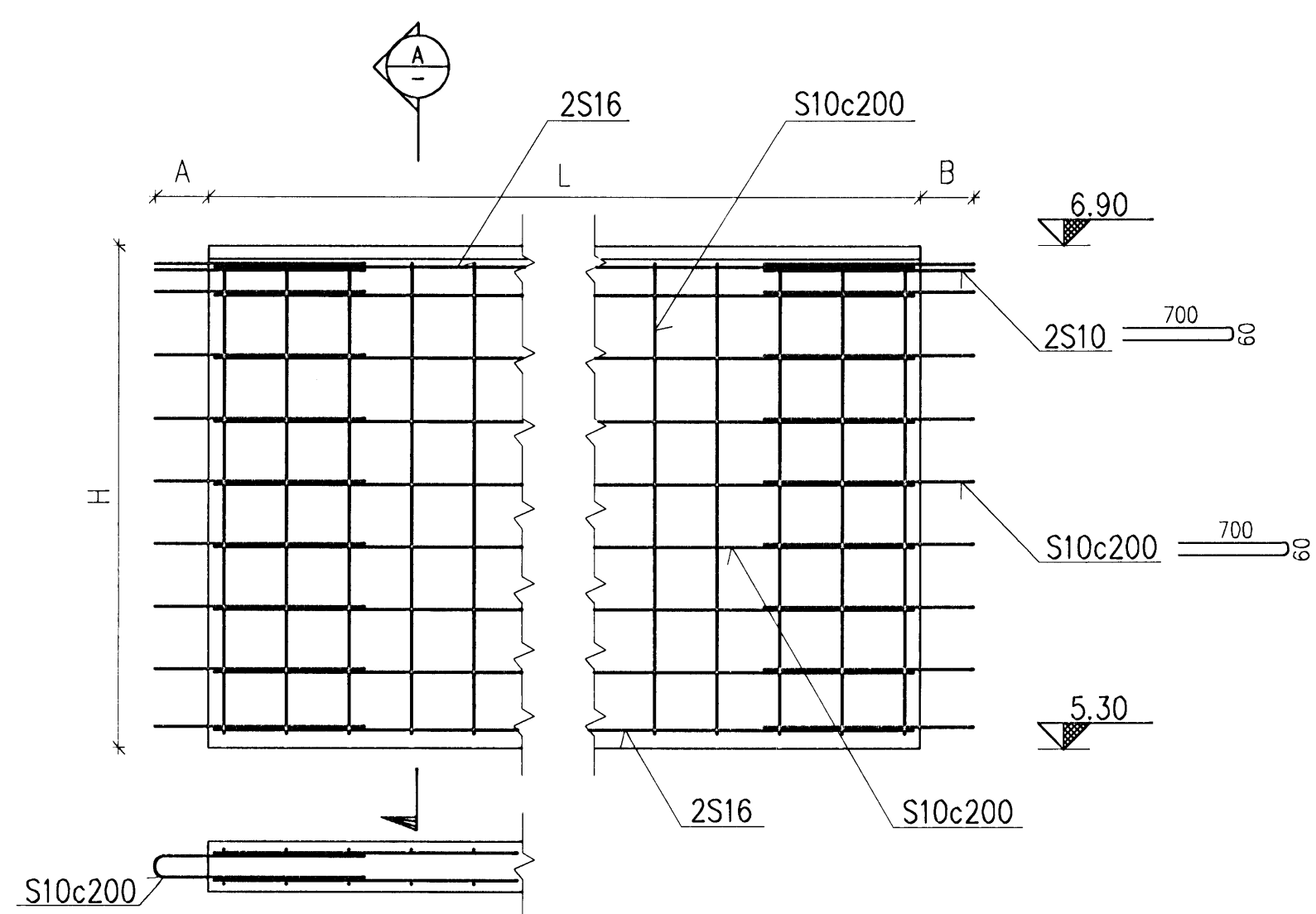
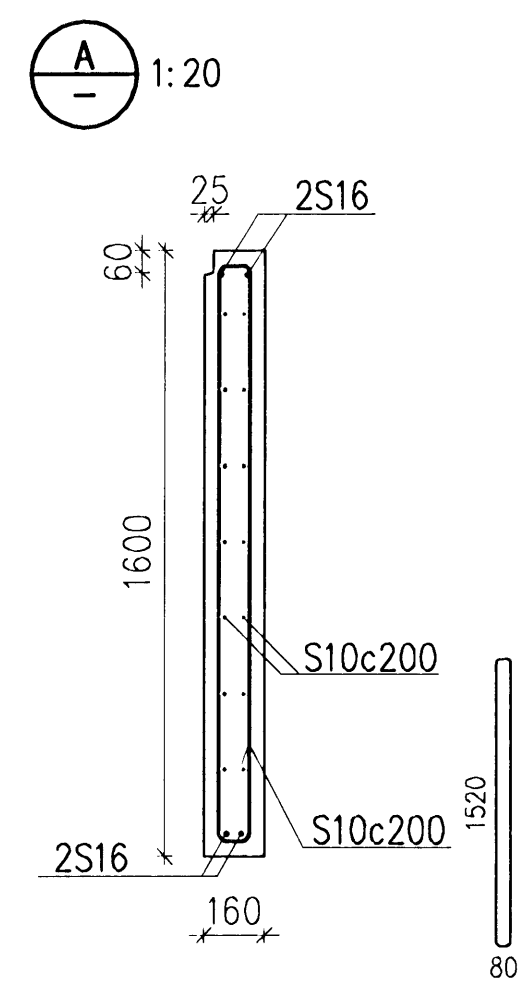
Format A1 (841x594 mm) is 20 mm outside of this frame

Samþykkt þann

10 FEB 2009

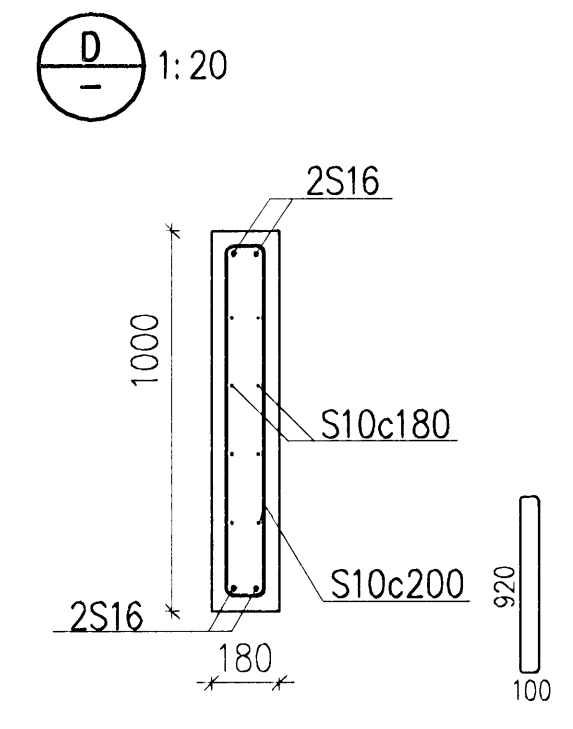
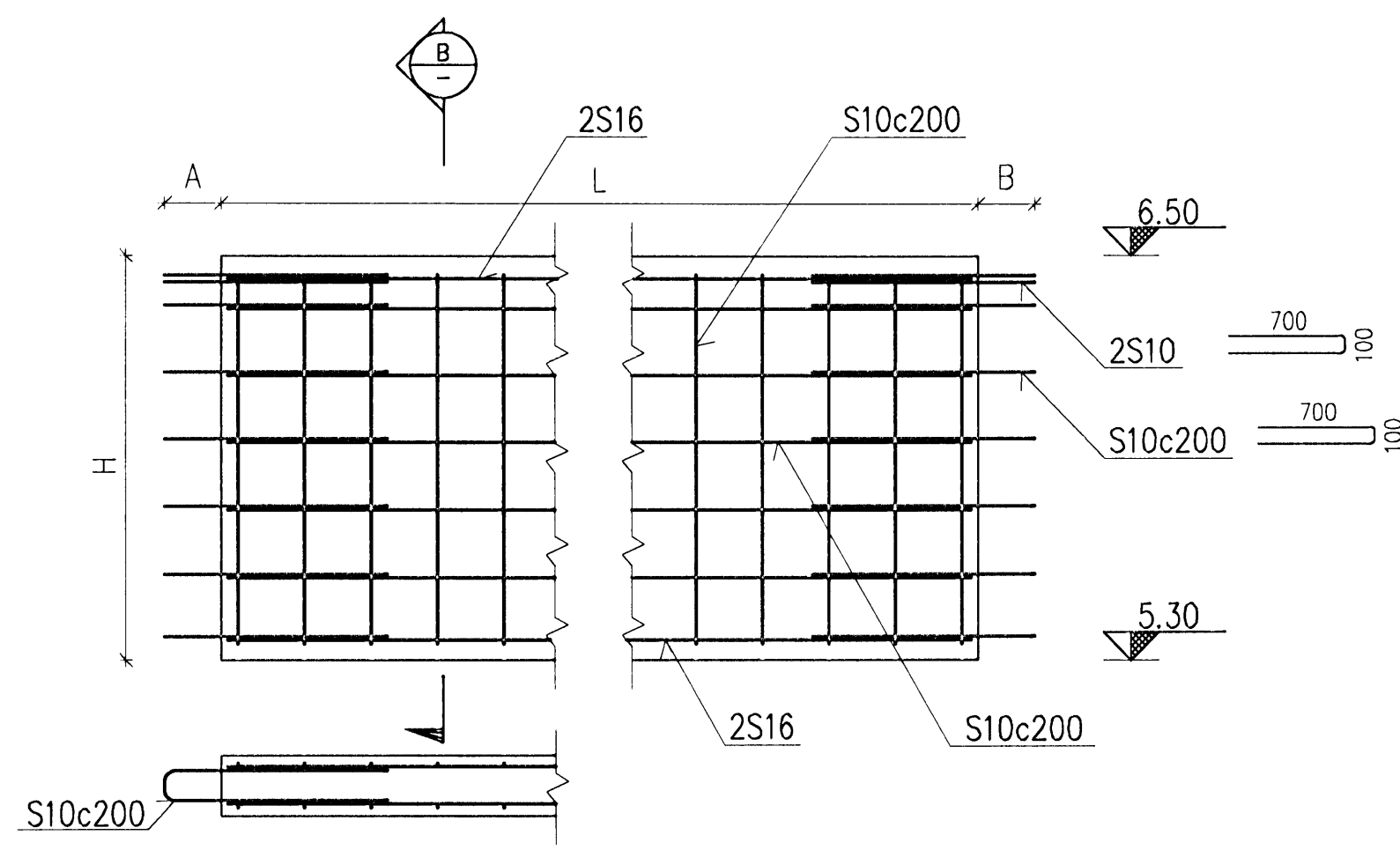
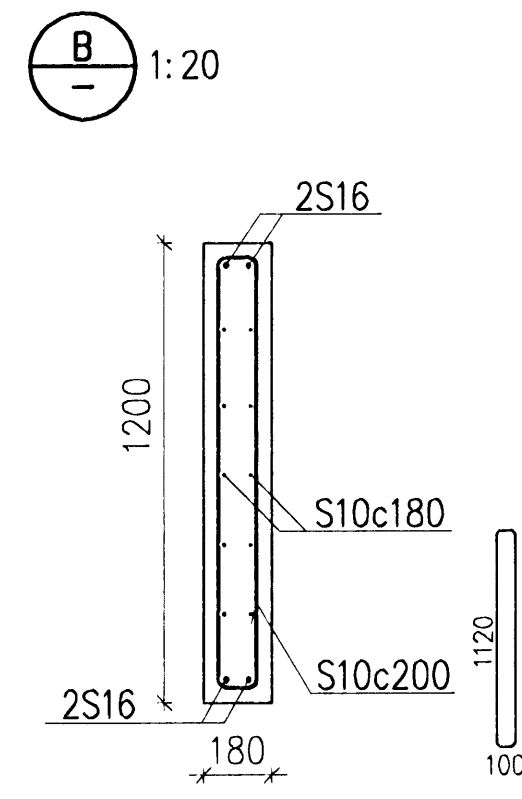
Byggingafrúnni / Hafnarfrú
F.h. Hrófur S. Gunnlaugsson

Níð Indriðsson
N / 60.181191-2009

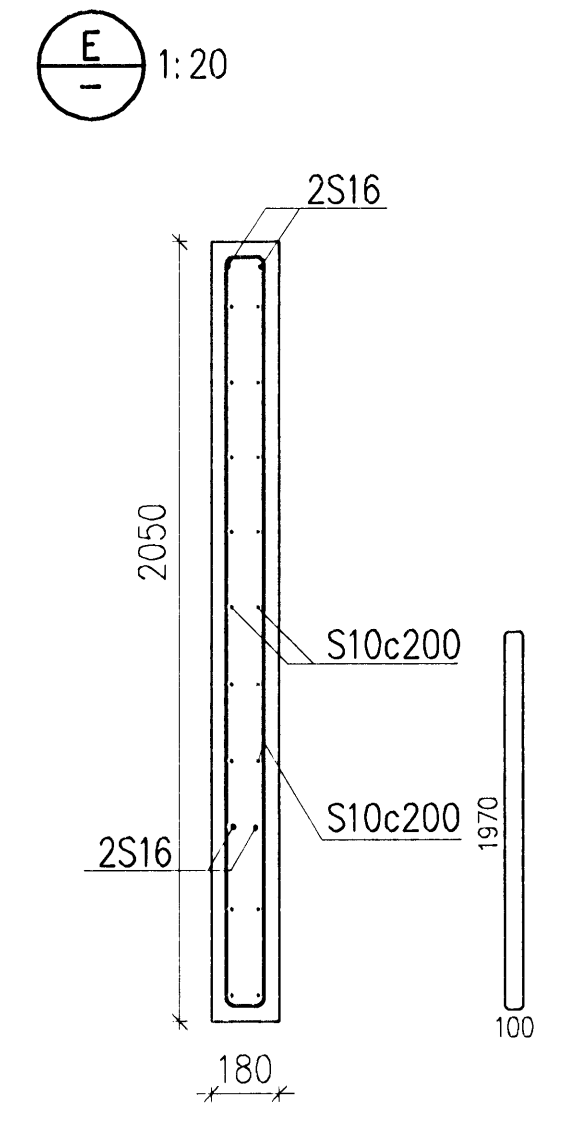
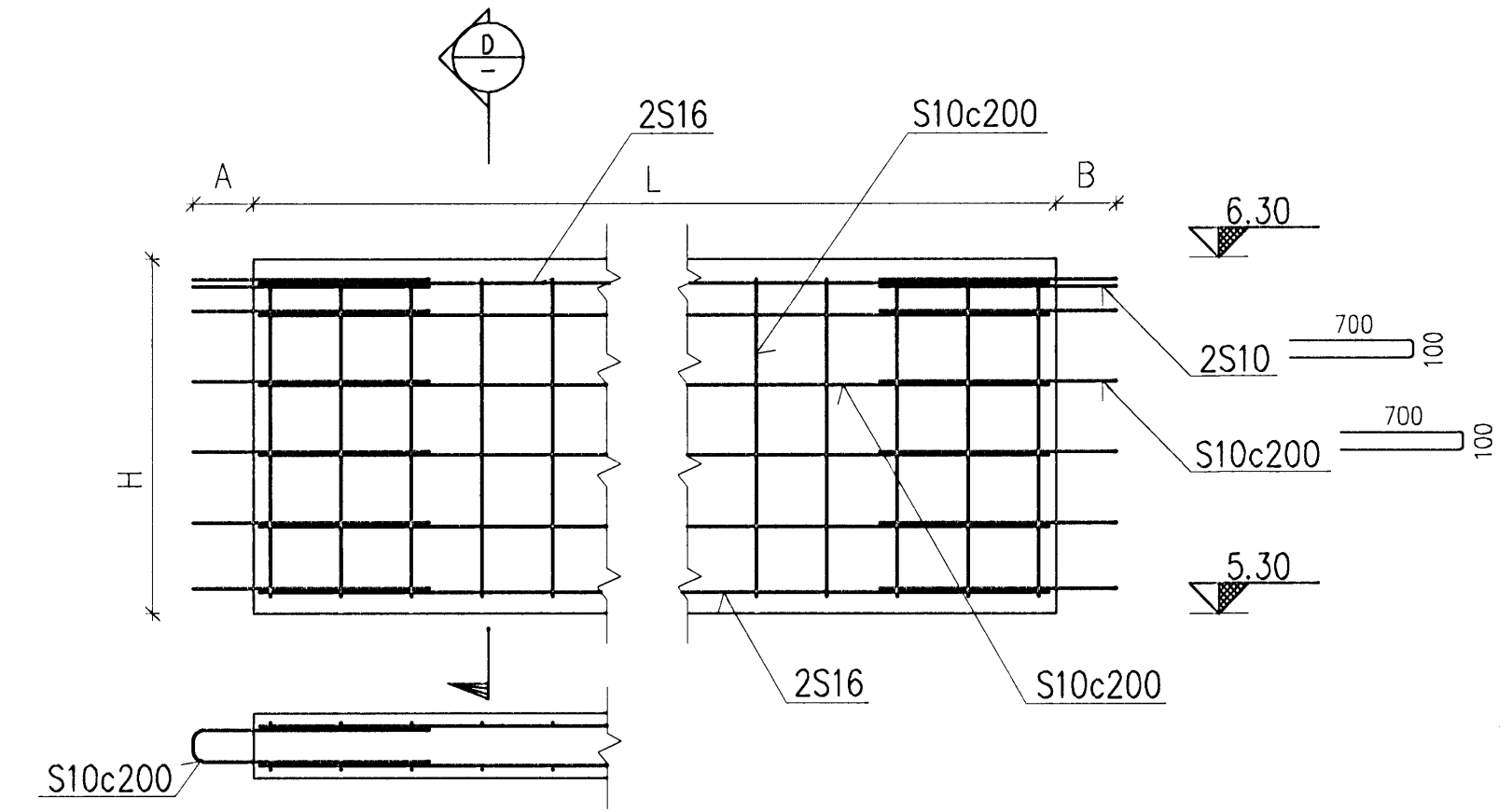


PRECAST ELEMENTS

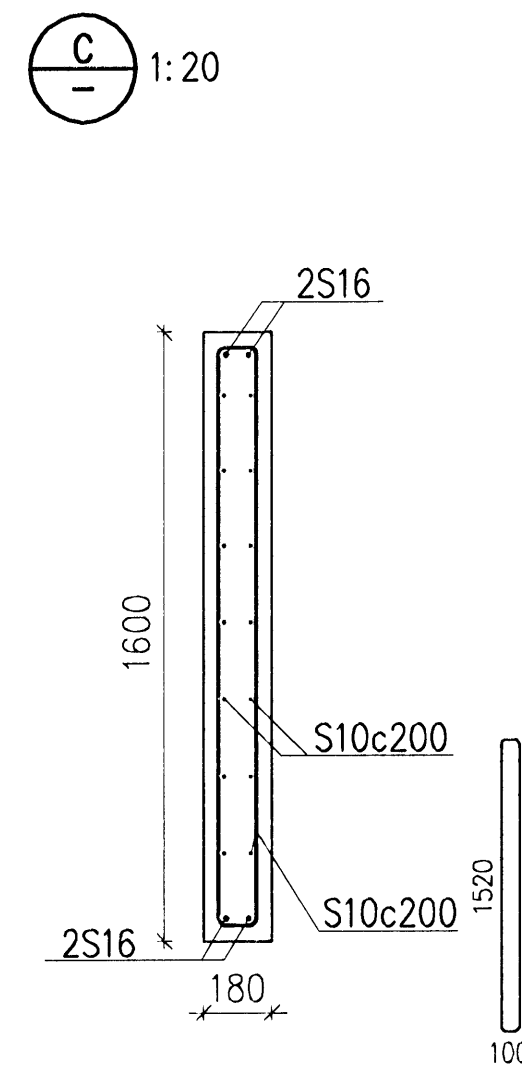
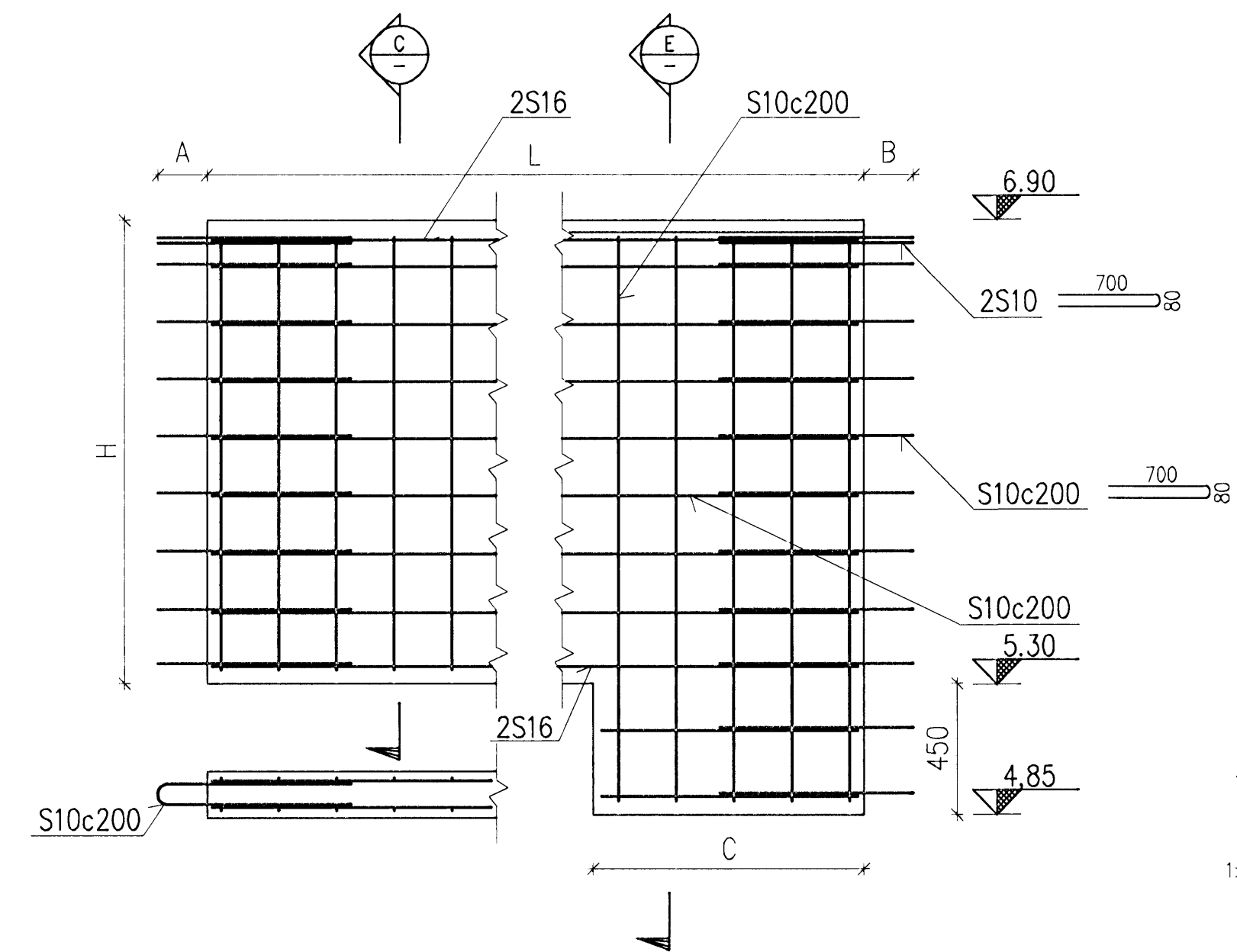
Element	L	H	C	A	B	pcs	Section
P1	4700	1600		170	170	1	A
P2	3300	1600		170	170	1	A
P3	5300	1600		170	250	1	A
P4	9930	1200		230	170	1	B With cutout for door opening
P5	9400	1200		170	170	5	B
P5A	9400	1200		170	170	2	B With cutout for cables
P5B	9400	1200		170	170	2	B With cutout for pipe
P6	9400	1200		170	170	1	B
P6A	9400	1200		170	170	2	B With cutout for door opening
P7	11800	1200		170	170	1	B
P8	12350	1200		170	250	1	B
P9	3200	1600		250	170	1	C
P10	1800	1600		170	170	1	C
P11	5390	1000		170	170	1	D With cutout for railslab
P12	1100	2050		170	170	1	C
P13	5050	1600	1900	170	170	6	C-E
P14	3300	1600		170	170	3	C
P15	4750	1600		170	170	1	C
P16	5050	1600	1170	170	170	1	C With cutout for cables



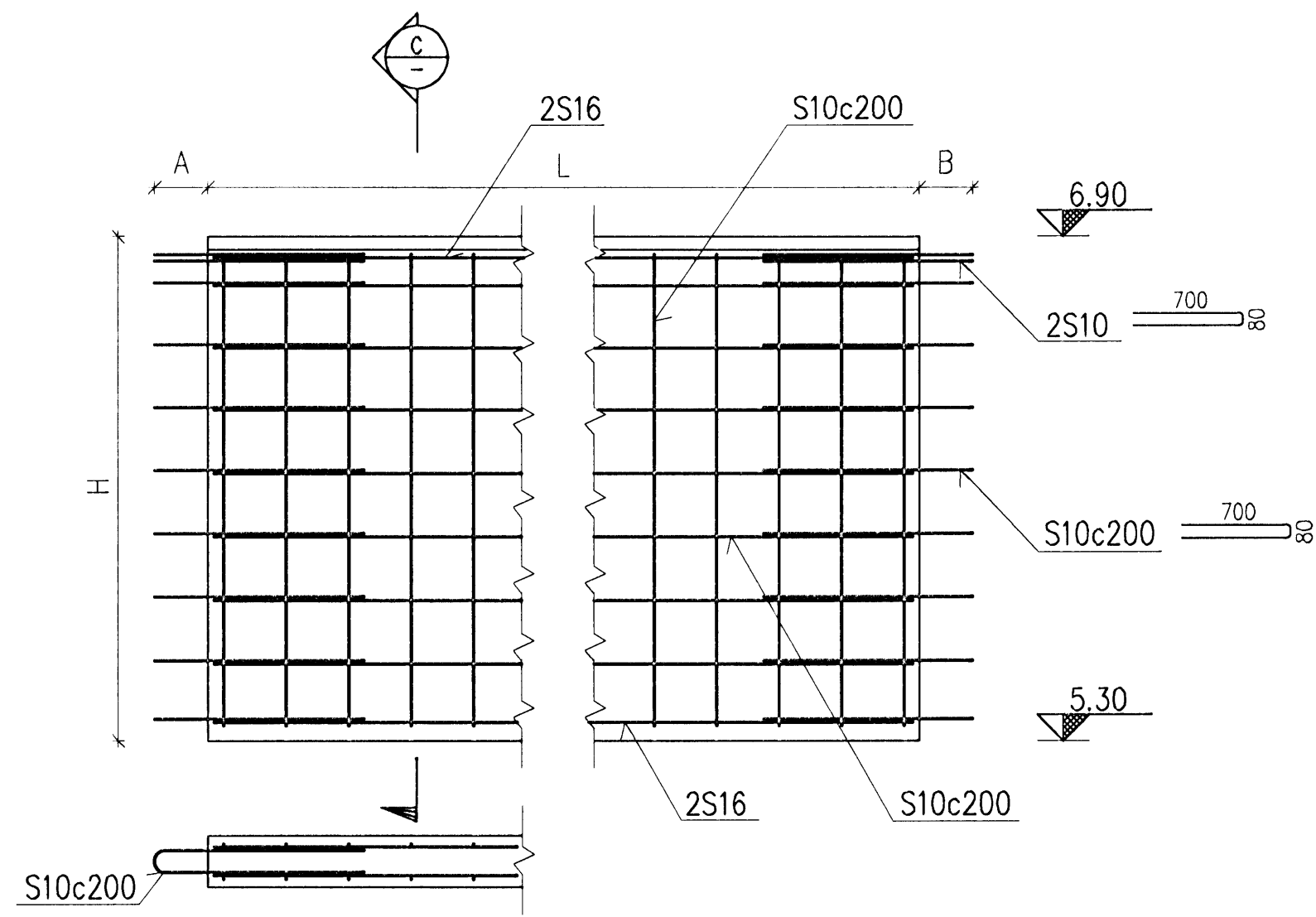
D 1:20



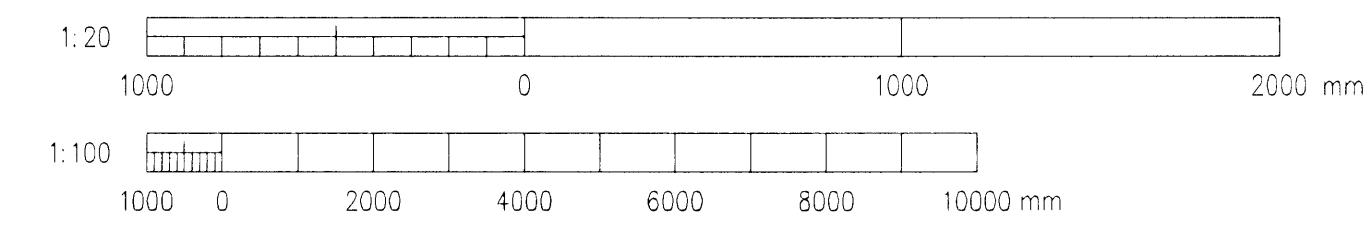
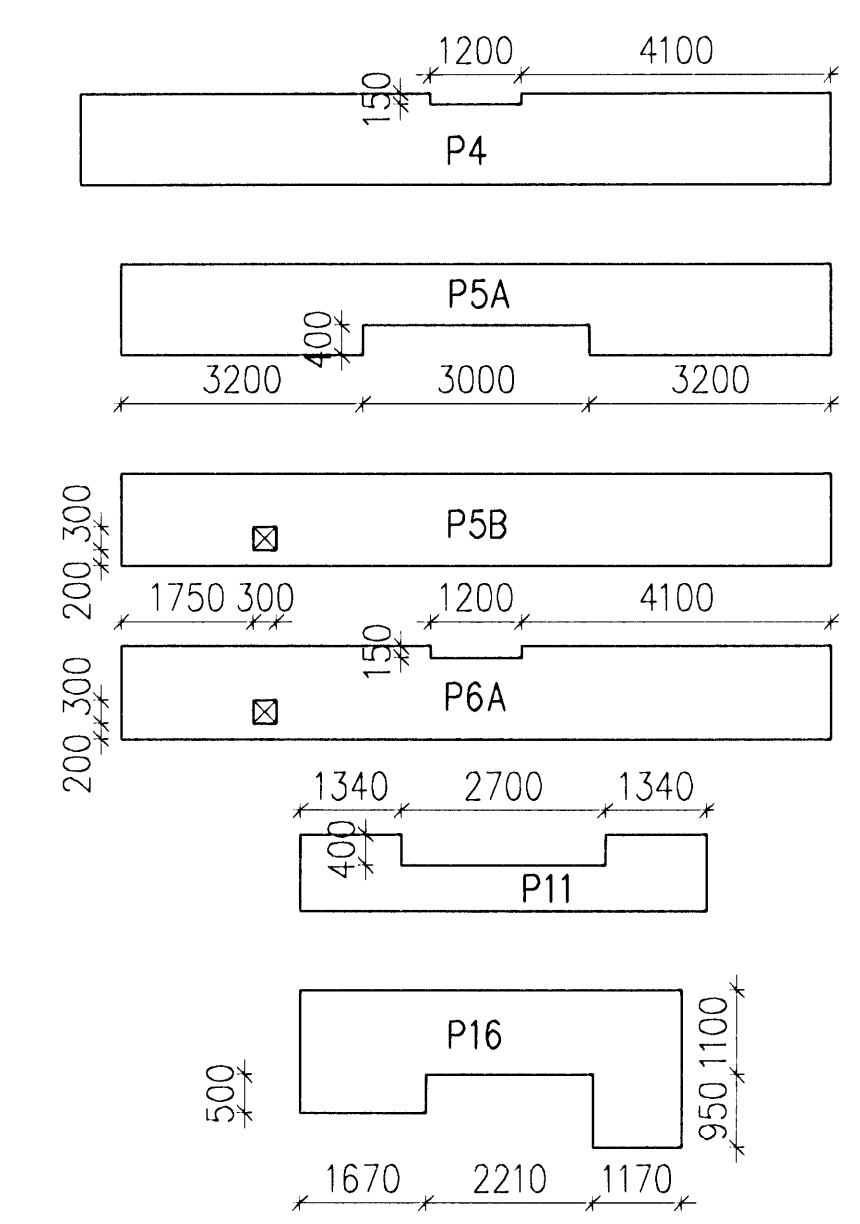
E 1:20



C 1:20



CUT OUTS, 1:100



Skýringar:

Explanations:

Breyt. / Rev.	Ástæða / Reason	Dagur / Date	Samþ. / Approved	Stað. / Status
2	Issued for use	08.12.18		
1	Issued for tendering	08.10.01	ÓS	

This drawing is the property of the Rio Tinto Alcan Iceland Ltd. and handed out for personal use only. It may neither be copied nor made available to others without permission of the Rio Tinto Alcan Iceland Ltd. The receiver is liable for any misuse.

Fjöldi stykja / Number of pieces	IV III II I	Hlutur / Object	IDP 410 - SUBSTATION 220 kV SWITCHYARD BLD. REINFORCEMENT PRECAST ELEMENTS	Alnúmer / Item	HRV	Efni / Material	Stærð / Weight	Stærð / Scale	A1	Althugasemdir / Remarks	4011
Form / Format	A1	Stærð / Scale	1:20/100	Kostn. númer / Cost no.	4011	Stærð / Scale	1:20/100	Stærð / Scale	1:20/100	Stærð / Scale	1:20/100
Teknað / Drawn	HS/LDB	Dagur / Date	2008.10.01	Yfirfarð / Checked	NI	Stærð / Scale	1:20/100	Stærð / Scale	1:20/100	Stærð / Scale	1:20/100
Stærð / Scale	1:20/100	Stærð / Scale	1:20/100	Stærð / Scale	1:20/100	Stærð / Scale	1:20/100	Stærð / Scale	1:20/100	Stærð / Scale	1:20/100

