

TRANSFORMER BAYS, PLAN VIEW, 1:50

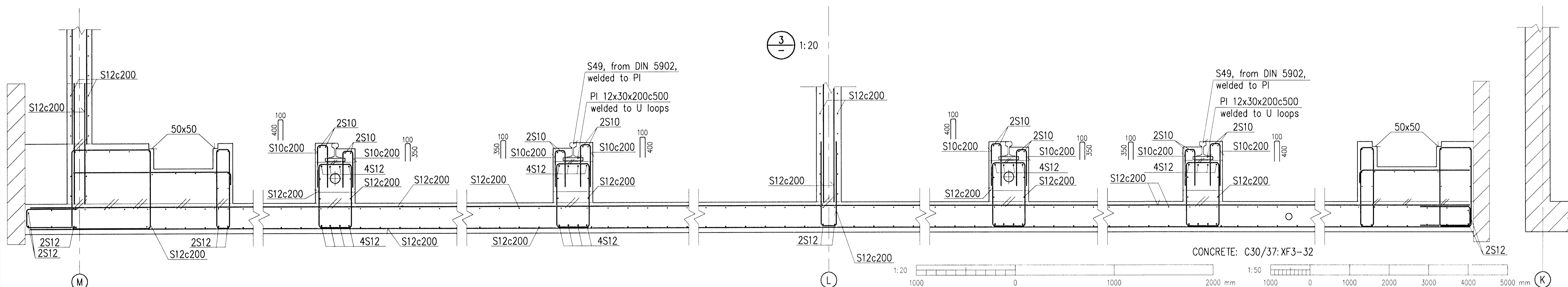
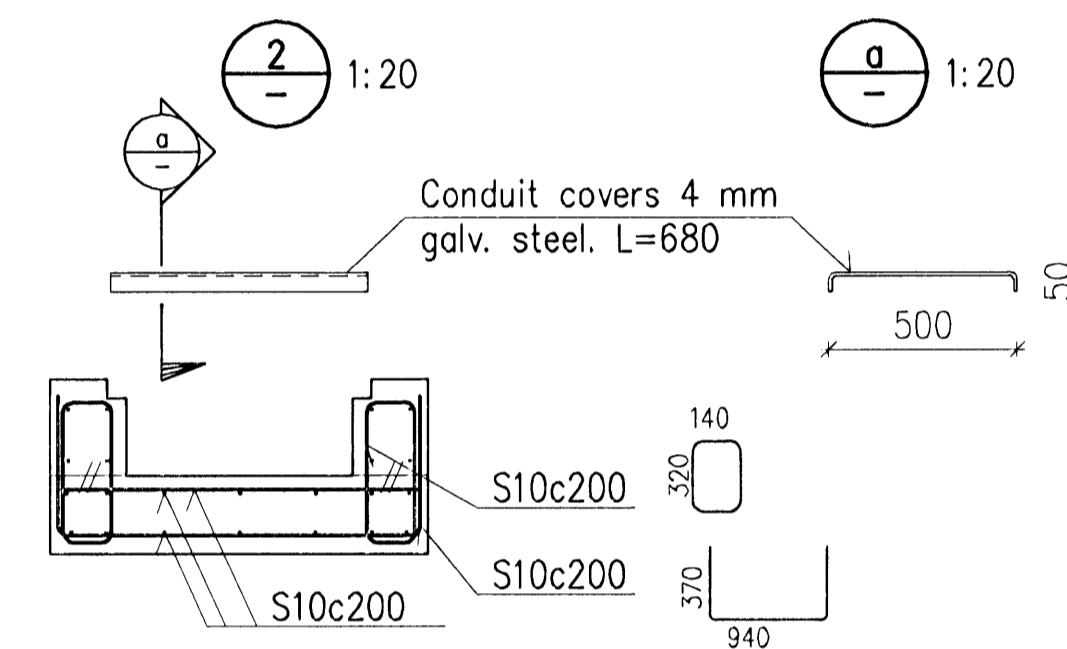
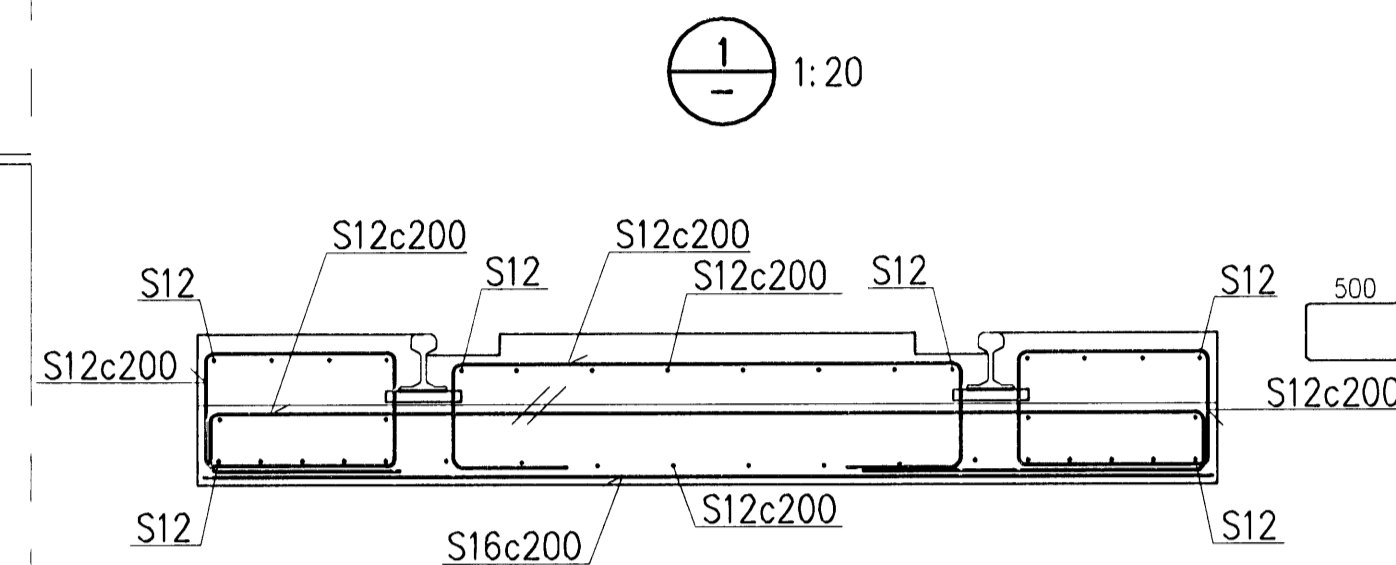
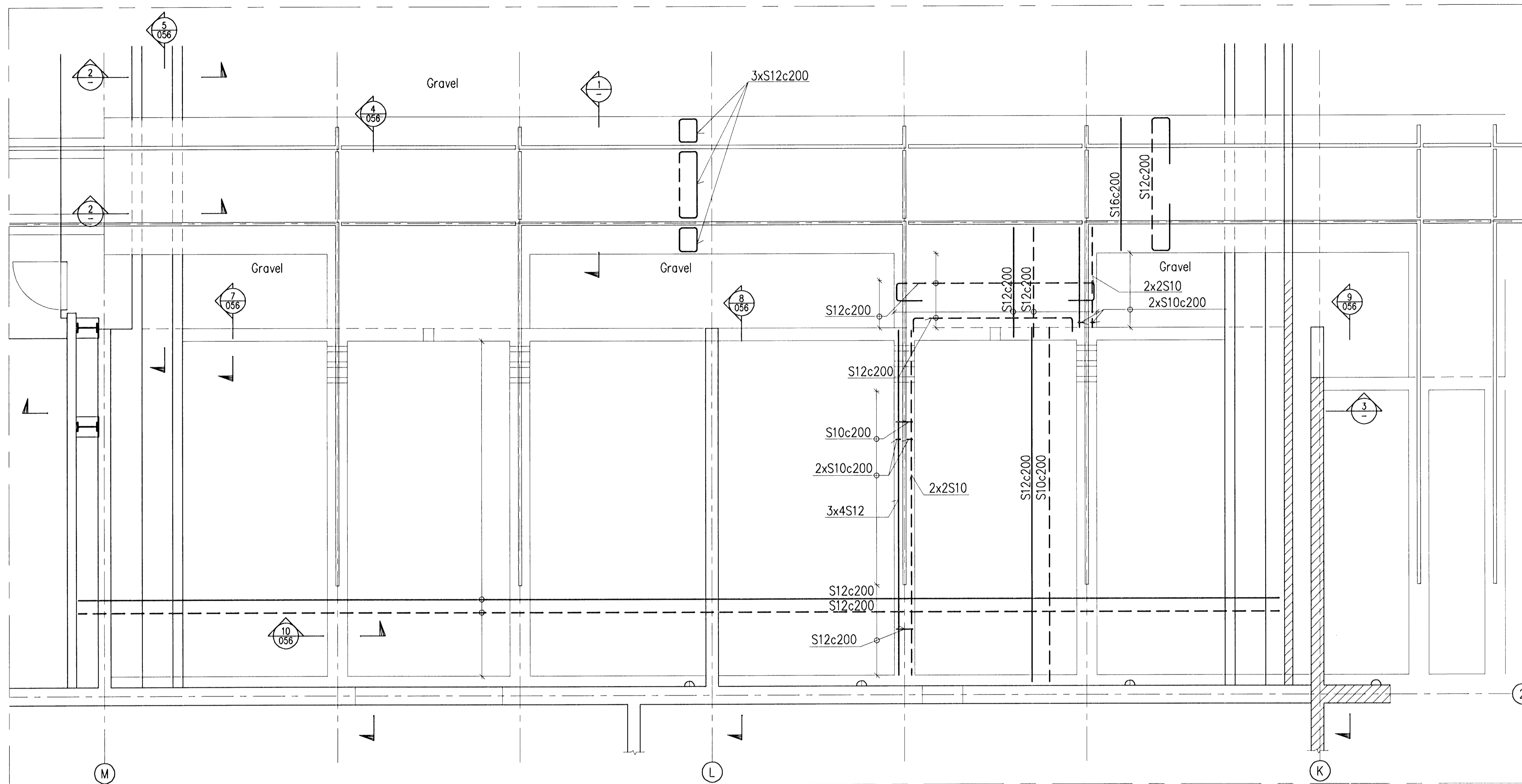
Format A1 (841x594 mm) is 20 mm outside of this frame

Sampykkt bann

10 FEB 2009

Byggingafulltrúinn / Hofnærfrið  
F.h. Hrólfur S. Gunnlaugsson

Níels Indriðason  
NÍ 22-18044-2549



Skýringar:

Explanations:

Rev.	Bygging	Dagur	Samb.	Notk.
2	Issued for use	08.12.18	OS	Notk. heiml. Released
1	Issued for tendering	08.10.01	OS	Notk. heiml. Released
Byggingarfr. / Rev.	Byggingarfr. / Revision	Dagur / Date	Samb. / Approved	Notk. heiml. / Released
Fyrirtekið nr. ISAL / Ref. drawing no. of ISAL		Samsetningartekning nr. ISAL / Assembly drawing no. of ISAL		

Fjöldi stykka / Number of pieces IV III II I		Hlutur / Object IDP 410 - SUBSTATION 220 kv SWITCHYARD BLD. REINFORCEMENT TRANSFORMER BAYS 1/2		Atrátt / Item HRV		Efnir / Material NI		Eign / Weight 250155		Stærð / Scale A1 1:20, 1:50	
Teyma / Drawn LDB/HS 2008.10.01		Vörðun / Checked NI		Teyma / Drawn HRV		Vörðun / Checked NI		Teyma / Drawn HRV		Vörðun / Checked NI	
Teyma / Drawn HRV		Vörðun / Checked NI		Teyma / Drawn HRV		Vörðun / Checked NI		Teyma / Drawn HRV		Vörðun / Checked NI	

