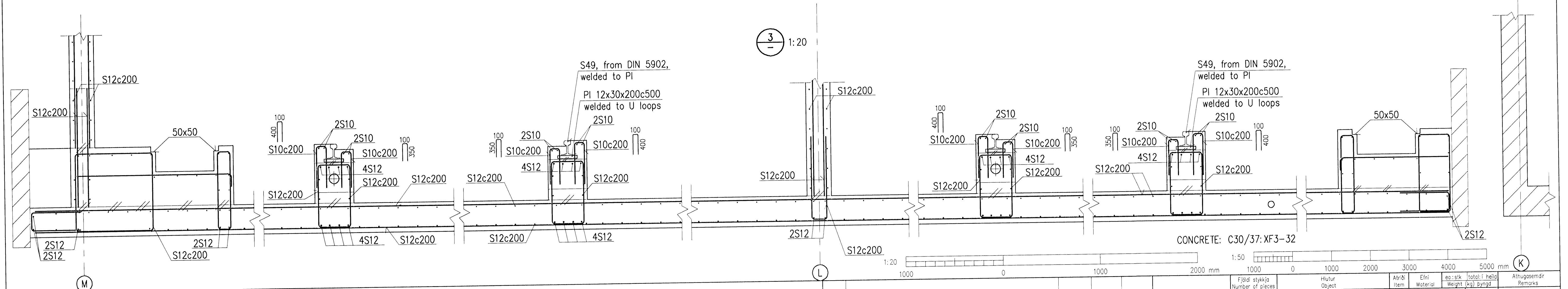
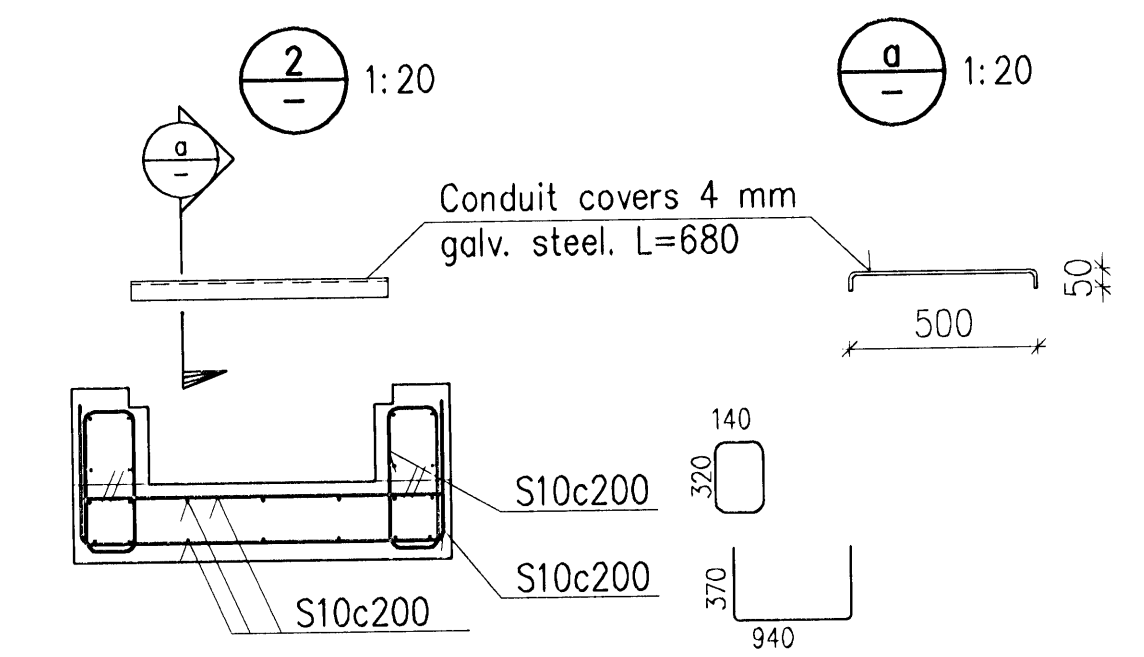
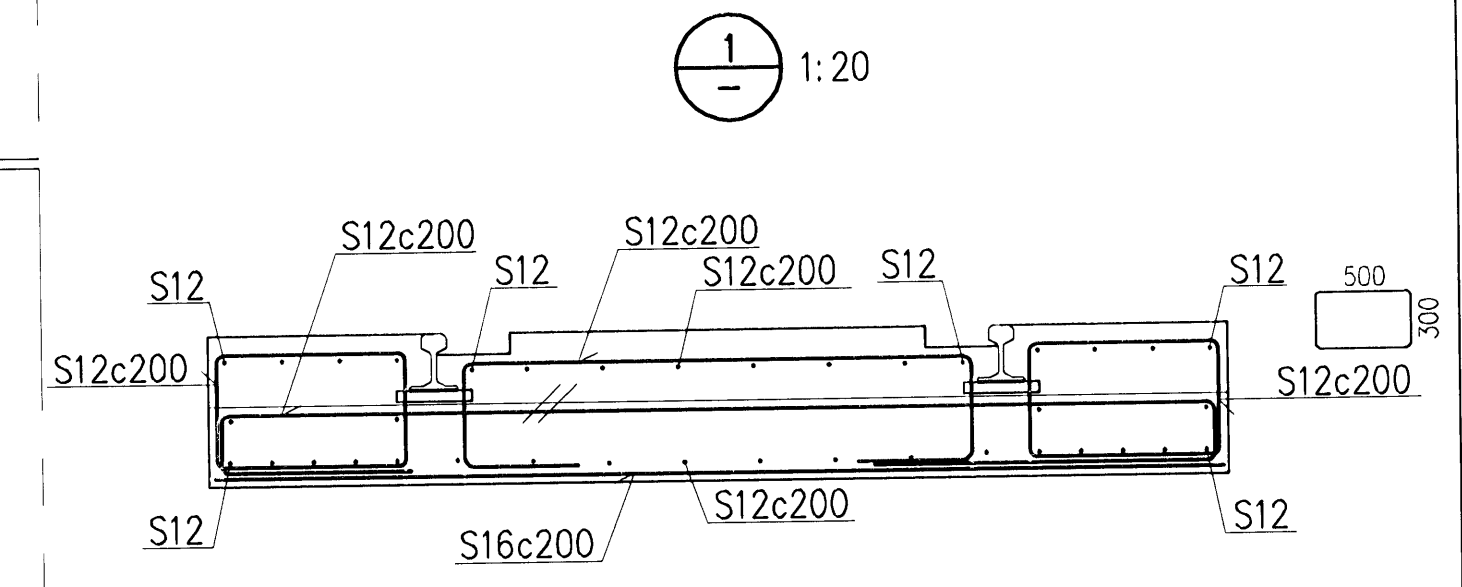
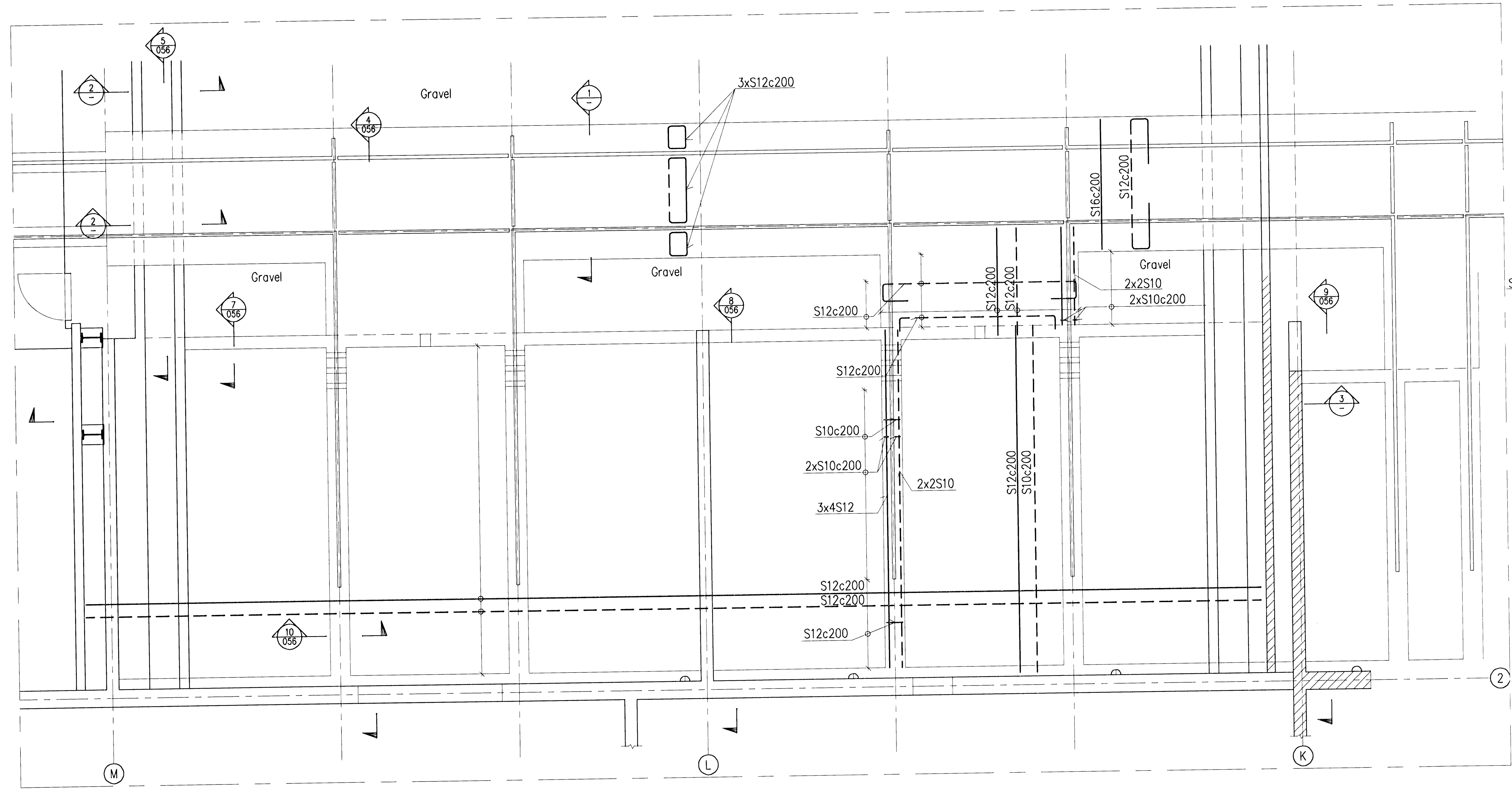


TRANSFORMER BAYS, PLAN VIEW, 1:50

Format A1 (841x594 mm) is 20 mm outside of this frame

Samykkt þann  
10 FEB 2009  
Byggingafráttari / Hafnarfrófi  
F.h. Hrólfur S. Gunnlaugsson

Níels Indriðason  
N1 22-18444-2549



Skýringar:  
Explanations:

2 Issued for use 08.12.18 1 Issued for tendering 08.10.01		Dags. Date Samp. Approved		Natk. heiml. Released		Fjöldi stíkkja / Number of pieces IV III II I		IDP 410 - SUBSTATION 220 kv SWITCHYARD BLD. REINFORCEMENT TRANSFORMER BAYS 1/2		Starð. Form. A1 Mks. Scale 1:20, 1:50 4011	
This drawing is the property of the Rio Tinto Alcan Iceland Ltd and handed out for personal use only. It may neither be copied nor made available to others without permission of the Rio Tinto Alcan Iceland Ltd. The receiver is liable for any misuse.						RioTinto Alcan		250155		2	

