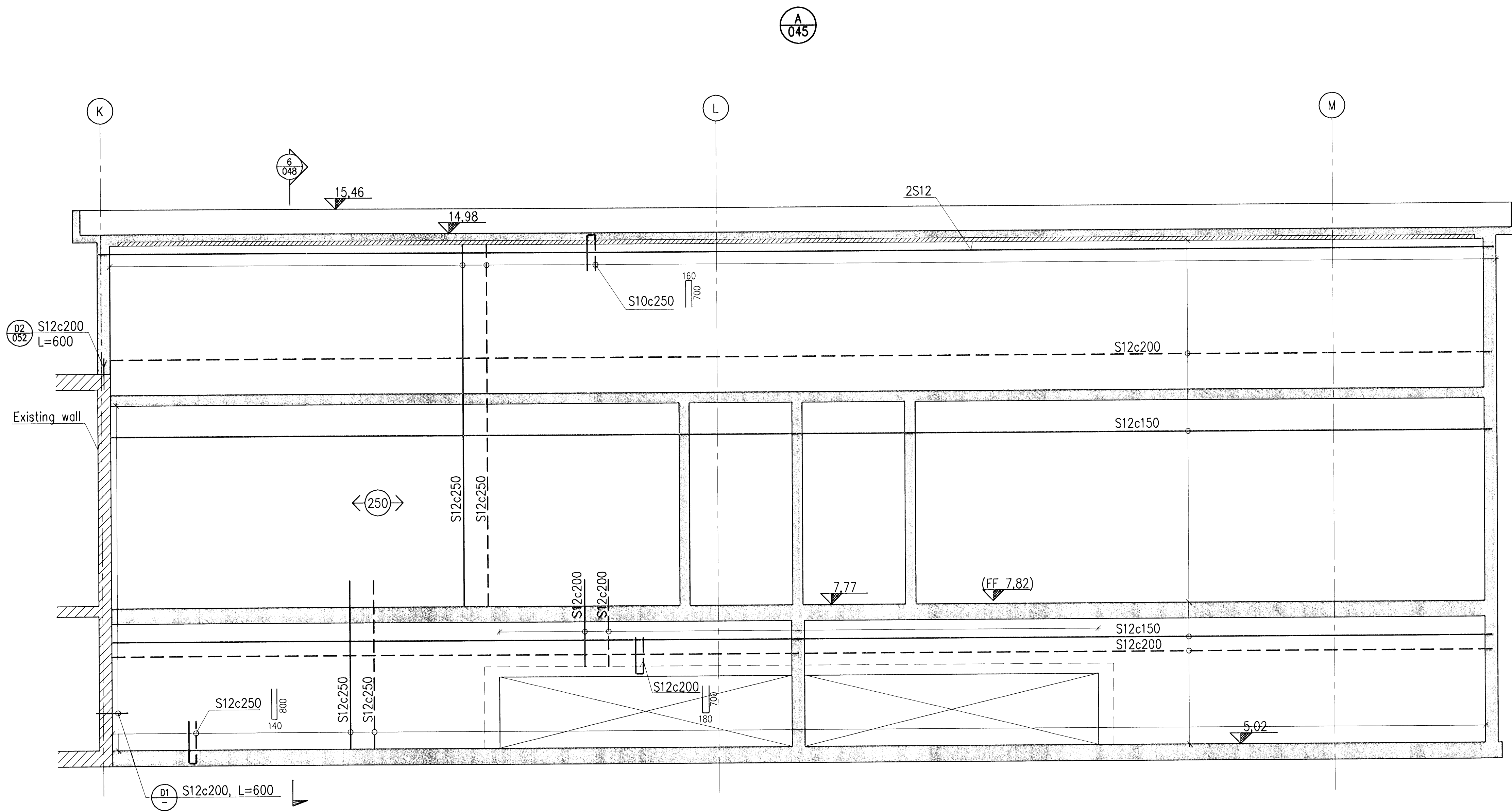
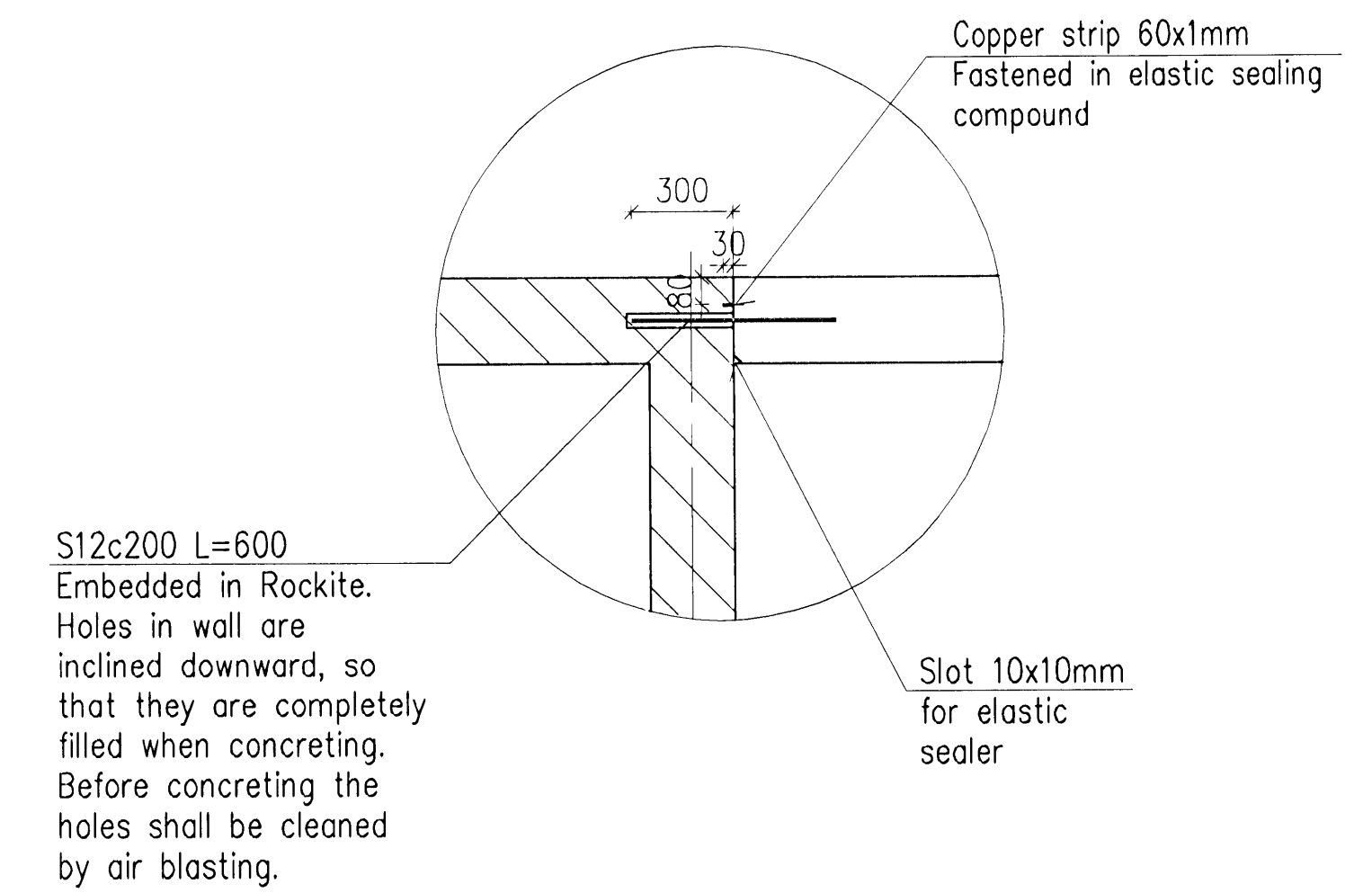


Samþykkt bann
 10 FEB 2009
 Byggingafultrúinn í Háfræðistíð
 F.h. Hröfður S. Gunnlaugsson

Níels Indriðsson
 N1 k.p. 181144-3949

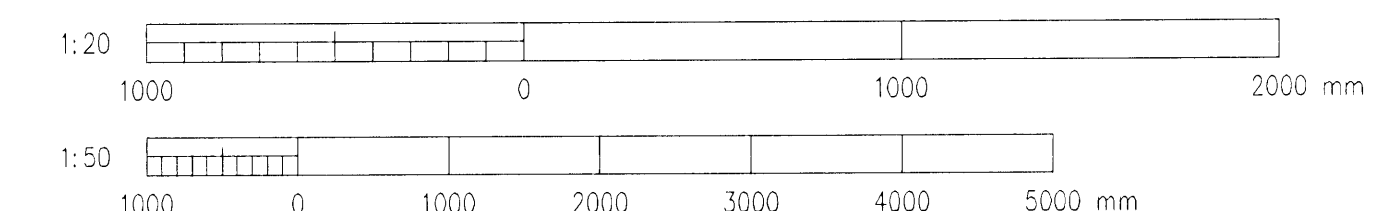


D1 JOINT AT EXISTING BUILDING, 1:20



S12c200 L=600
 Embedded in Rockite.
 Holes in wall are
 inclined downward, so
 that they are completely
 filled when concreting.
 Before concreting the
 holes shall be cleaned
 by air blasting.

CONCRETE: C30/37:XF3-32



Skýringar:
 Explanations:

Fjöldi stykkja Number of pieces	Hlutur Object	Átrið Item	Efni Material	Laustik Weight	Ítalaf held Total weight	Átlagssemndir Remarks
2	Issued for use	08.12.18				
1	Issued for tendering	08.10.01	ÓS			
	Breyt. Rev.	Breyting Revision	Dagst. Date	Samb. Approved	Notk. heiml. Released	
	Tilvitkingar nr. ISAL Ref. drawing no. of ISAL	Samsetningarkr. nr. ISAL Assembly drawing no. of ISAL				

This drawing is the property of the Rio Tinto Alcan Iceland Ltd and handed out for personal use only. It may neither be copied nor made available to others without permission of the Rio Tinto Alcan Iceland Ltd. The receiver is liable for any misuse.

IDP 410 - SUBSTATION 60 kV SWITCHGEAR BLD. REINFORCEMENT WALLS SIDE VIEW 1/4		Stað. Format: A1	Mæsk. Scale: 1:20, 1:50
HRV		Kassanúmer / Útsögn-Signum 4011	
AFV/HS 2008.10.01		Táknir verka / Drawn of supp / Brest. Rev. IDP-410-CA-000-050 2	
RioTinto Alcan		Samb. / Approved Níels Indriðsson	
250150		SAL Dr. no. of ISAL / Tákna. ISAL Brest./Rev. 2	
Táknab. Drawn		Vörðug og skráð Checked and filed	

