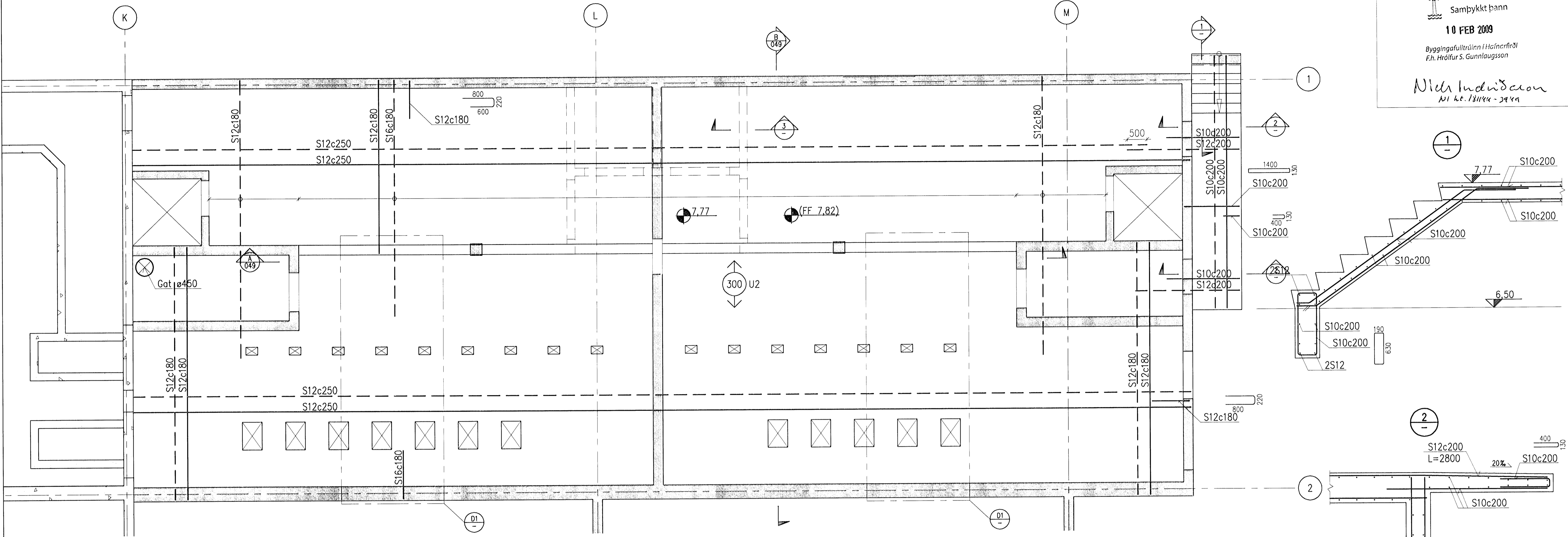


PLAN VIEW, 1:50

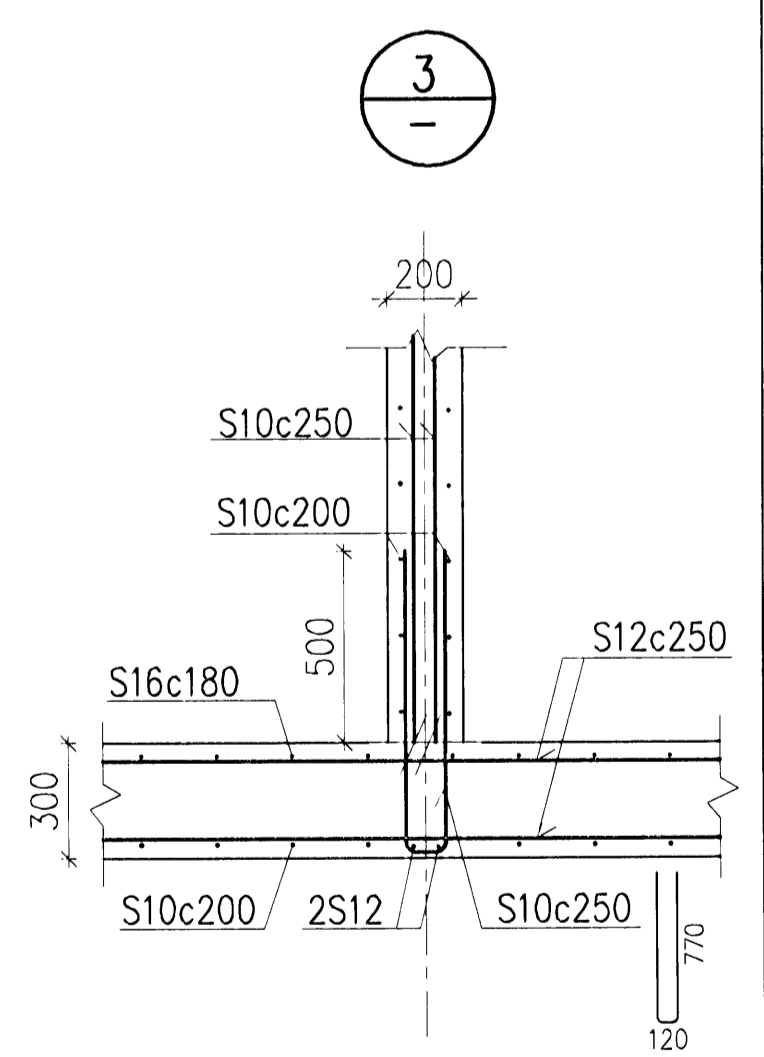
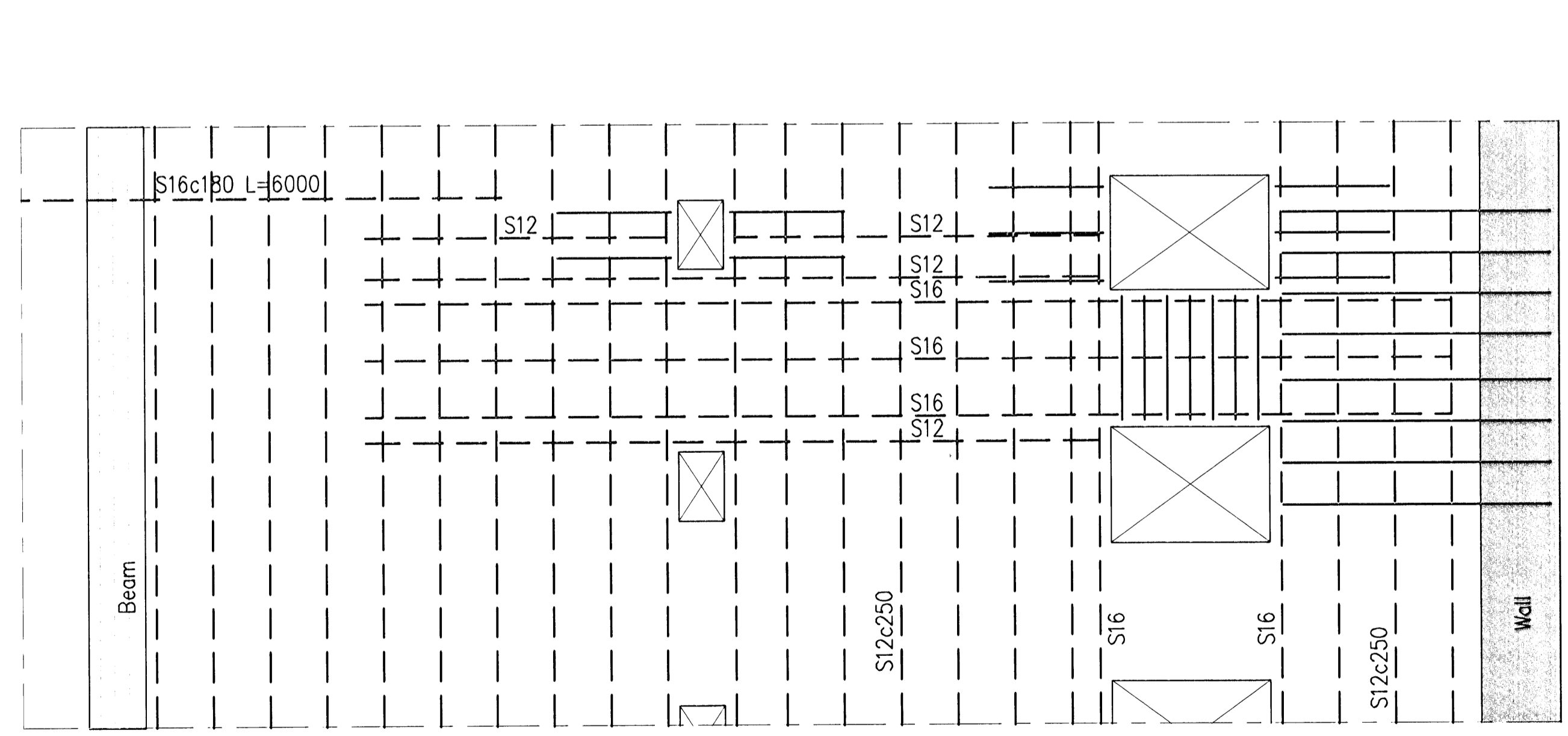
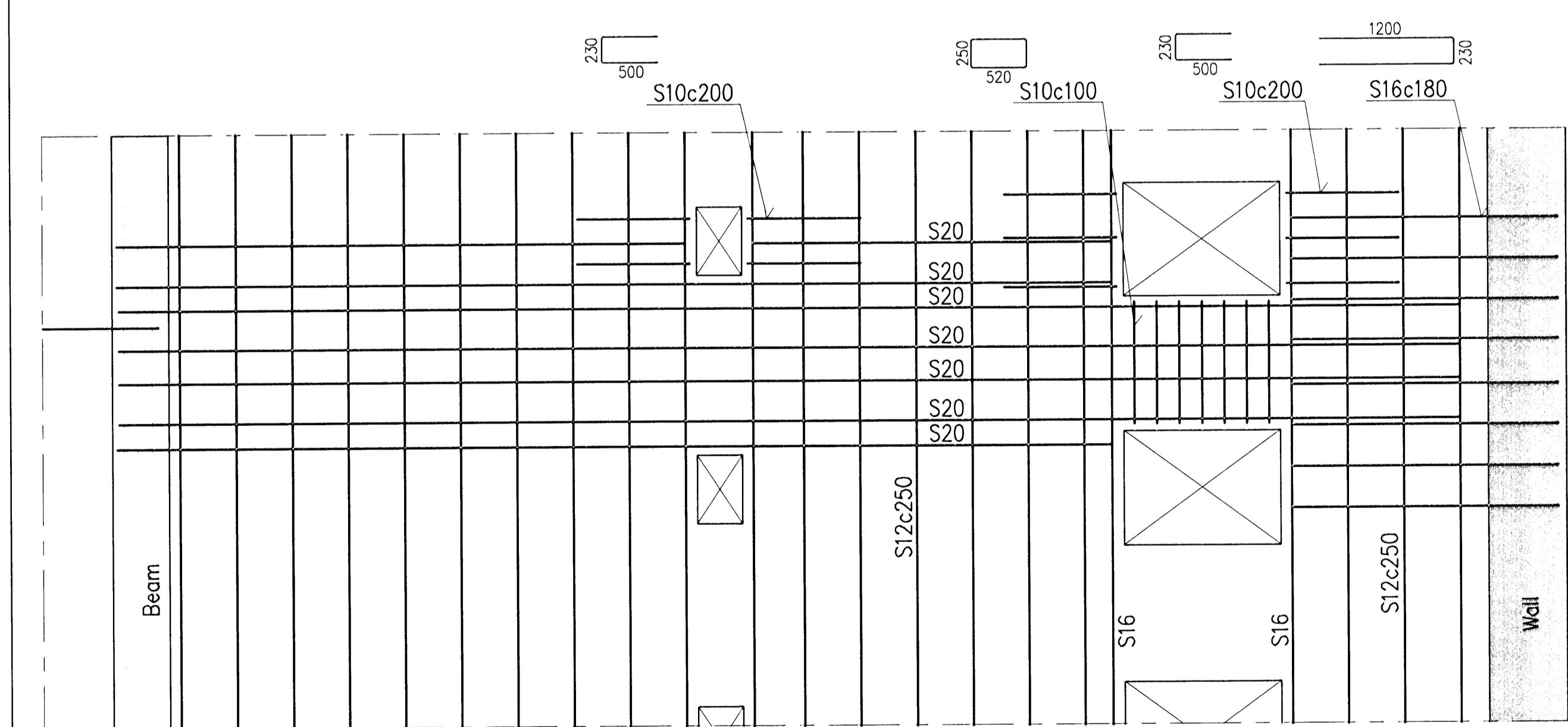
Format A1 (841x594 mm) is 20 mm outside of this frame

Samykktt bann
 10 FEB 2009
 Byggingafultrúinn í Hálförðri
 F.h. Hörfur S. Gunnlaugsson
 Níels Indriðsson
 M. h. 18.04.2009

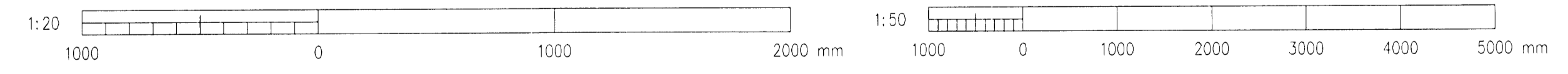


DETAIL 1, BOTTOM REINFORCEMENT, 1:20

DETAIL 1, TOP REINFORCEMENT, 1:20



CONCRETE: C30/37:XF3-32



Skýringar:
 Explanations:

This drawing is the property of the Rio Tinto Alcan Iceland Ltd. and handed out for personal use only. It may neither be copied nor made available to others without permission of the Rio Tinto Alcan Iceland Ltd. The receiver is liable for any misuse.		Fjöldi stúkkja Number of pieces IV III II I	Hlutur Object IDP 410 – SUBSTATION 60 kV SWITCHGEAR BLD. REINFORCEMENT FLOOR 7,77	Stærð Format A1	Mál Scale 1:20, 1:50
2 Issued for use 1 Issued for tendering	Daga Date 08.12.18 08.10.01	Smb. Approved ÓS	Hlutur Checked HRV	Tæknir. Drawn AFV/HS 2008.10.01	Tæknir. Approved Ní
Títleikningar nr. ISAL Ref.drawing no. of ISAL	Samsetn.teikningar nr. ISAL Assembly drawing no. of ISAL	Tæknir. Drawn RioTinto Alcan	Yfirfærð og skrifað Checked and filed	Tæknir. Approved Níels Indriðsson 18.04.2009	Tæknir. Released Níels Indriðsson 18.04.2009

