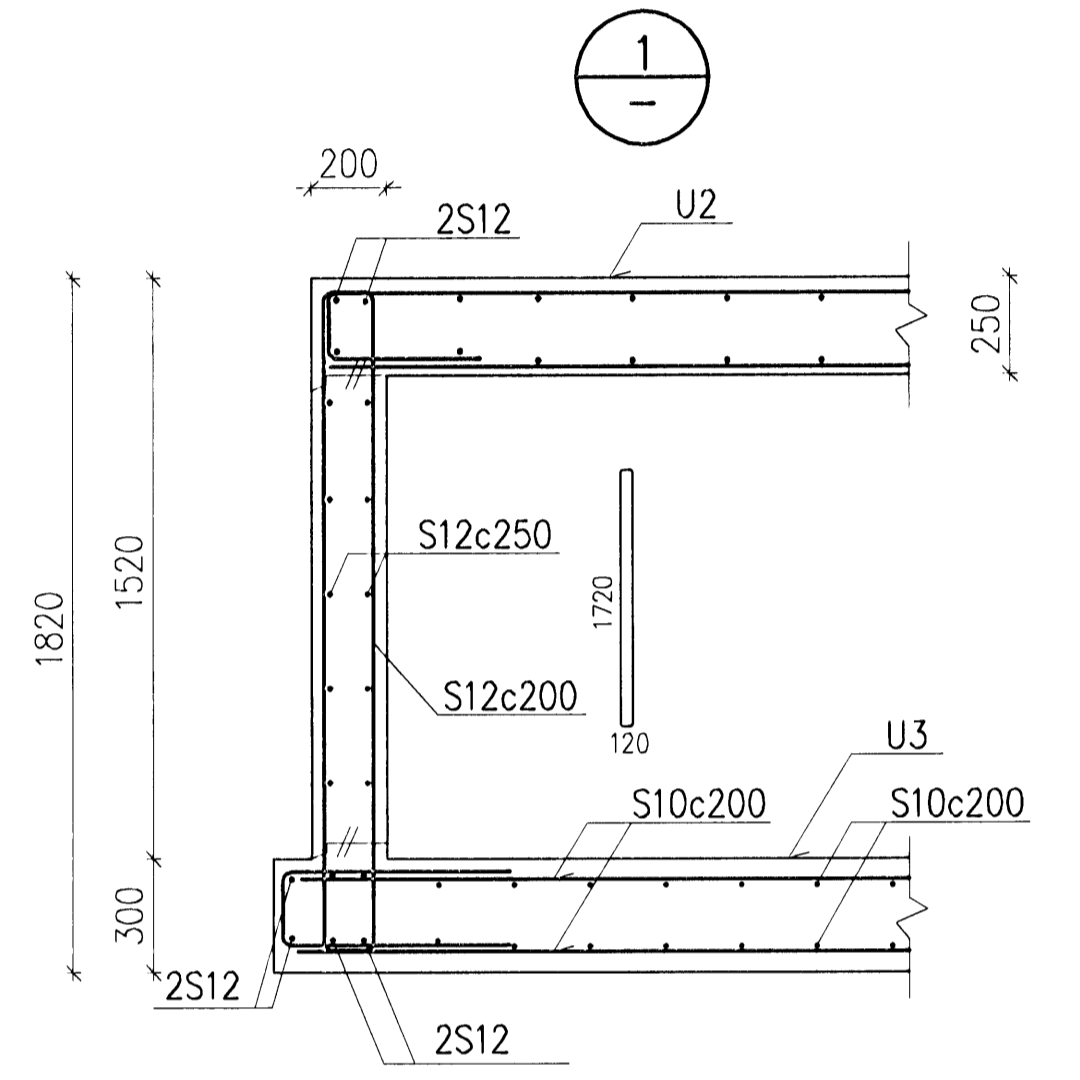
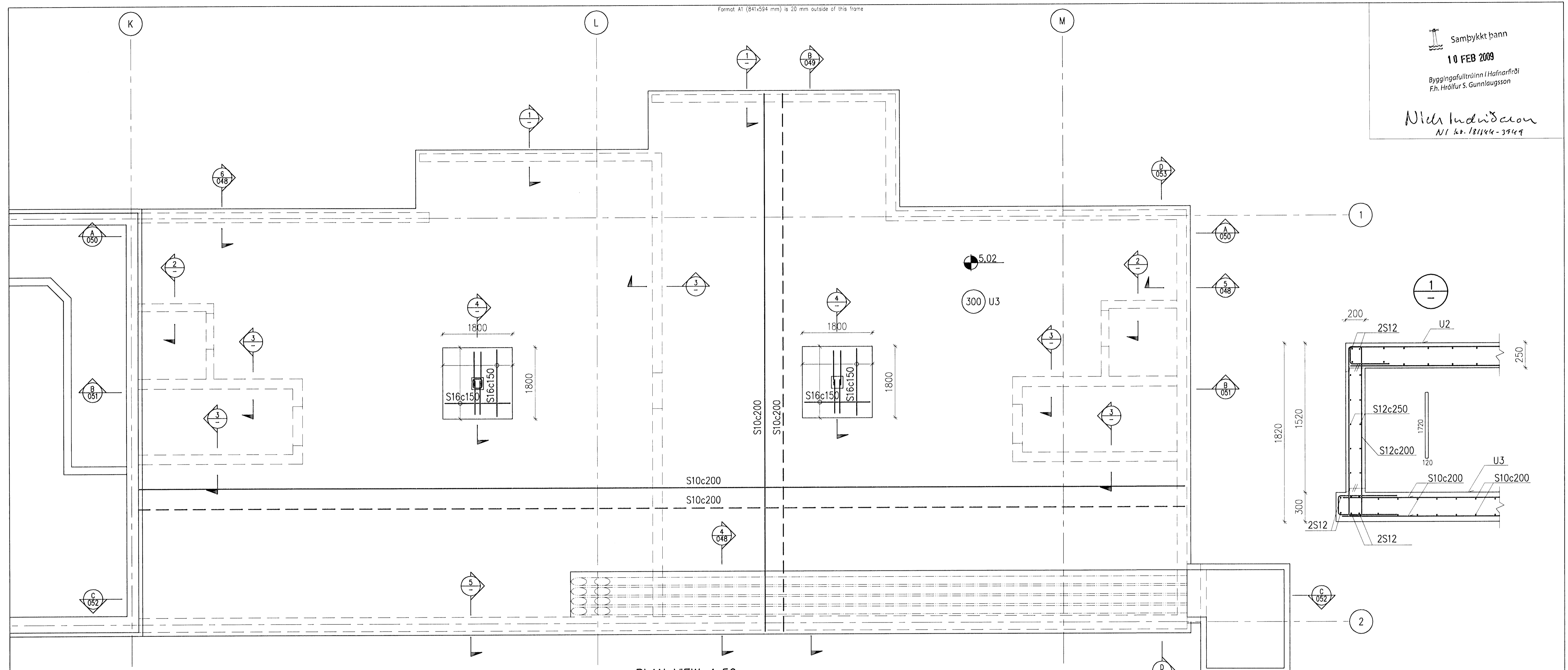


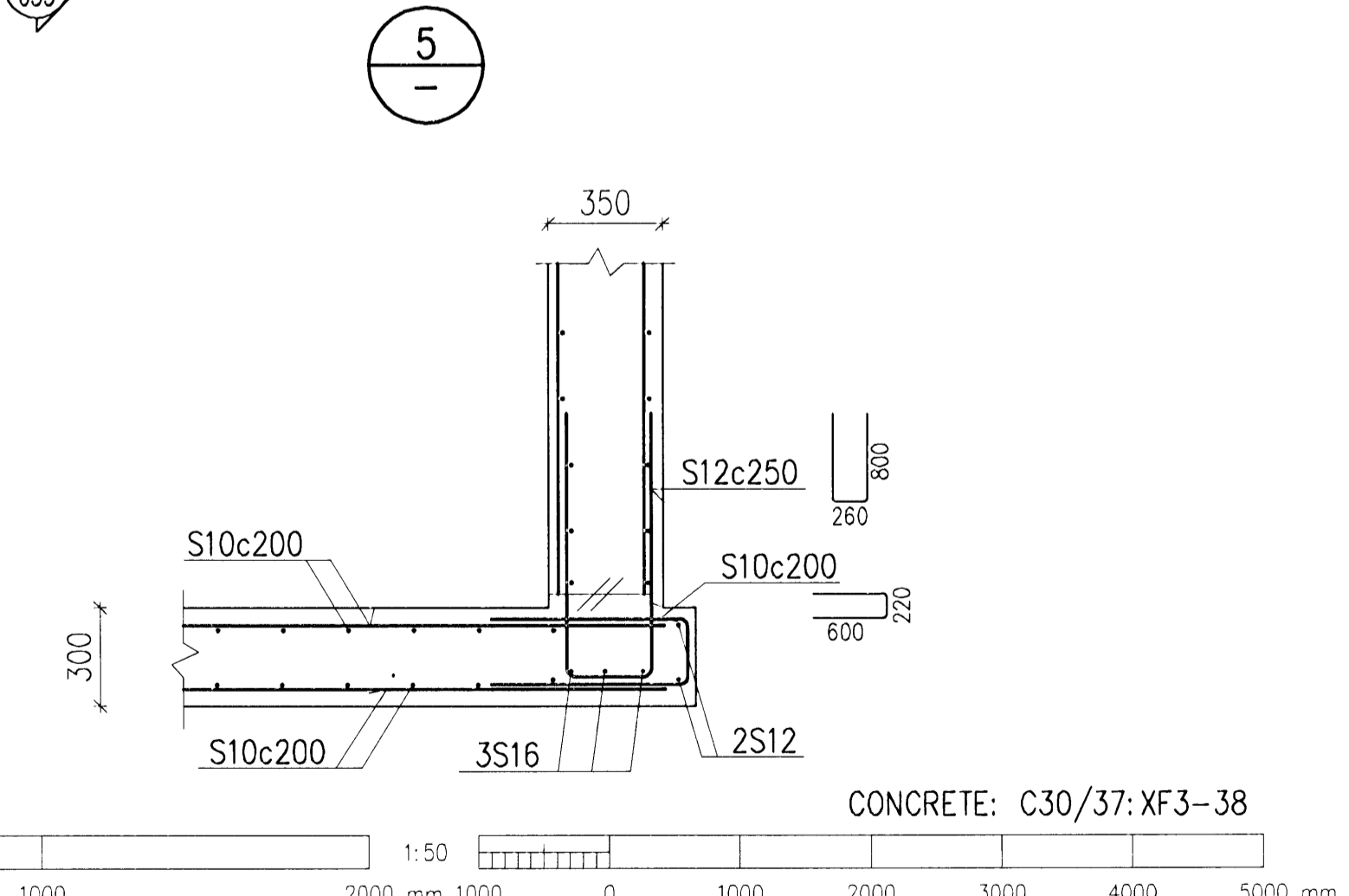
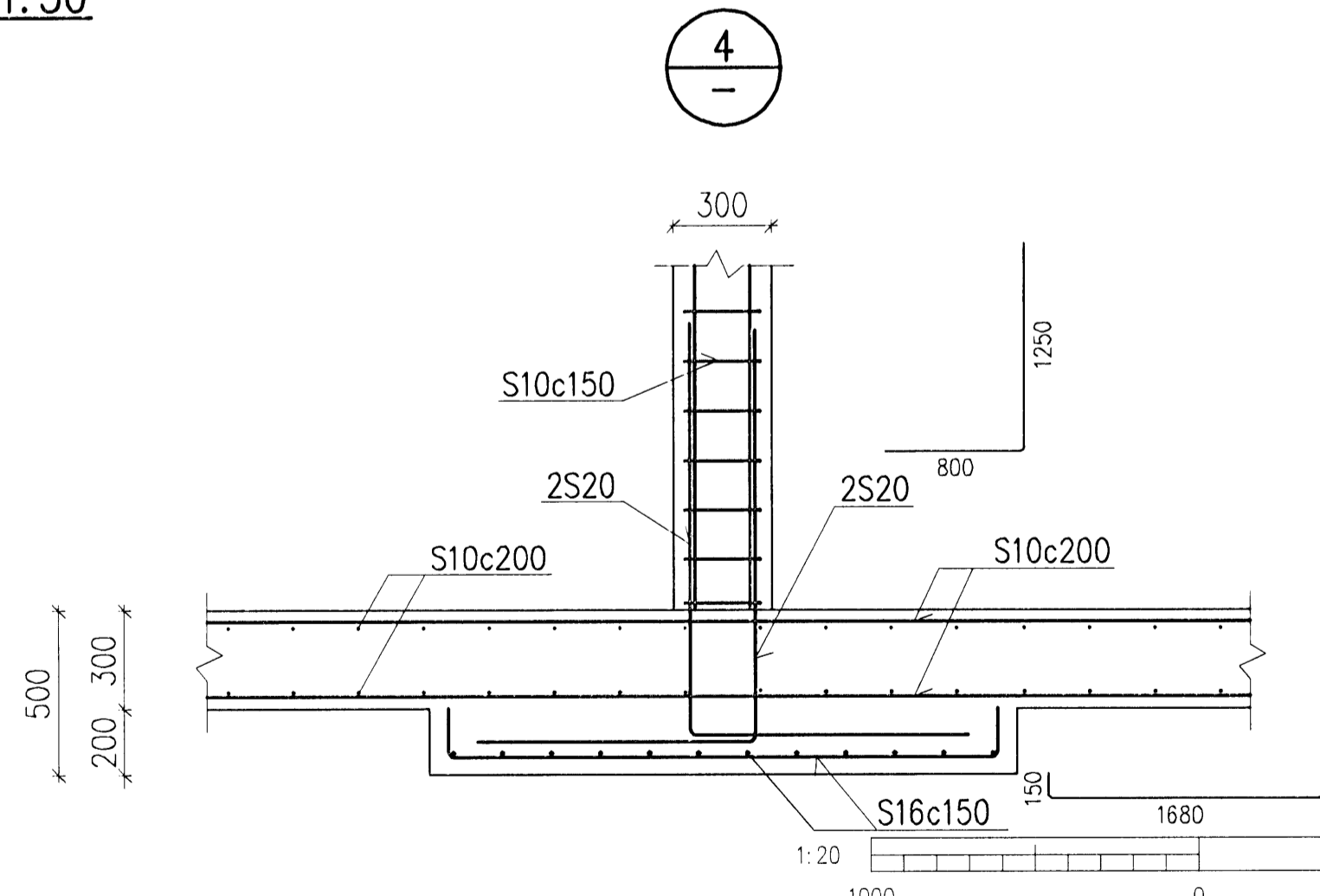
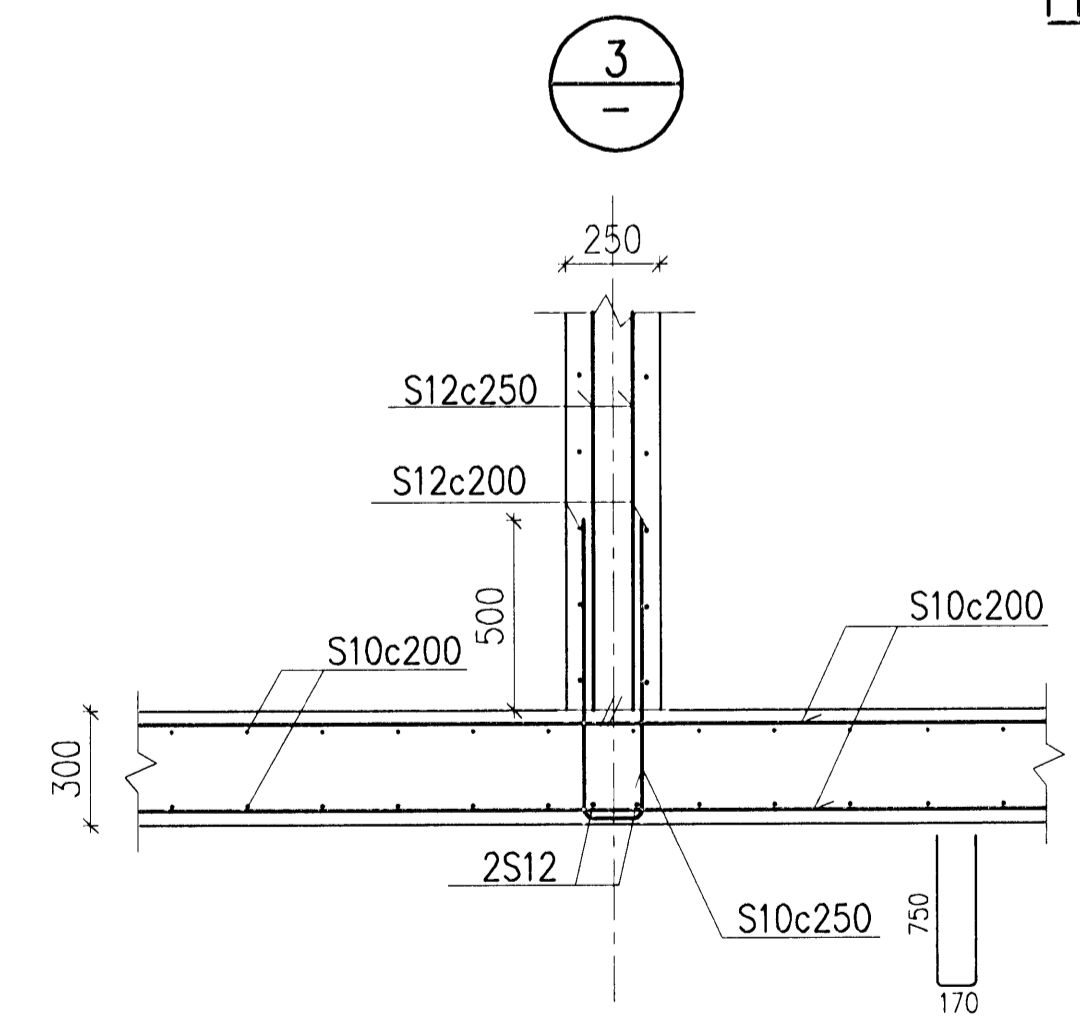
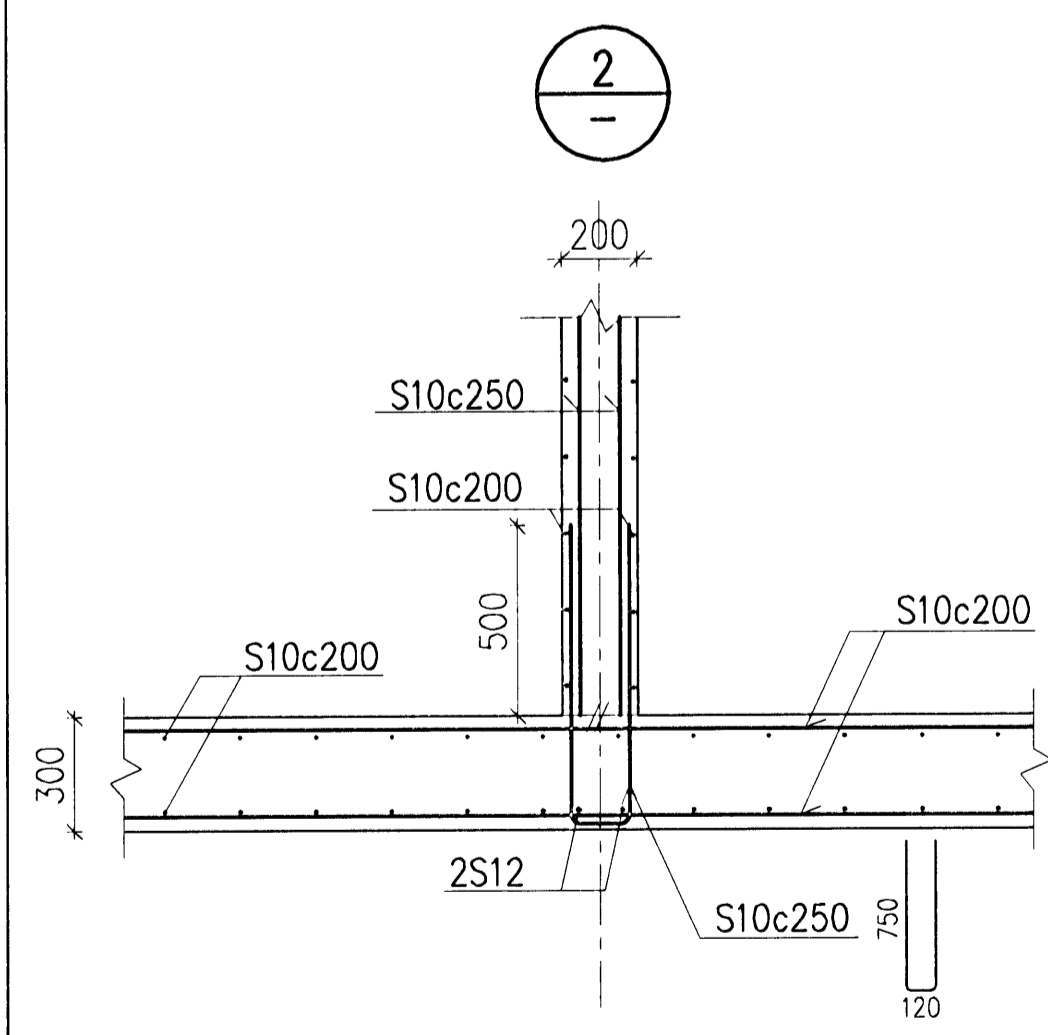
Format A1 (841x594 mm) is 20 mm outside of this frame

Samþykkt þann
10 FEB 2009
Byggingafulltrúinn í Hálfarfróði
F.h. Hröfður S. Gunnlaugsson

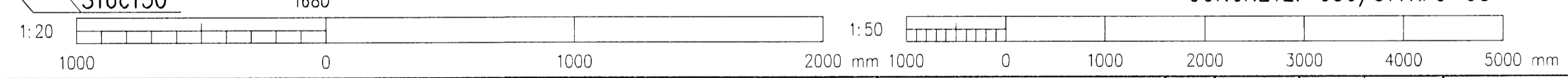
Níel Indriðsson
NI. nr. 181144-3949



PLAN VIEW, 1:50



CONCRETE: C30/37:XF3-38



Skýringar:
Explanations:

Breyt. / Rev.	Ísl. / Rev.	Dag. / Date	Samb. / Approved	Notk. heimil. / Released
2	Issued for use	08.12.18		
1	Issued for tendering	08.10.01	ÓS	

This drawing is the property of the Rio Tinto Alcan Iceland Ltd. and handed out for personal use only. It may neither be copied nor made available to others without permission of the Rio Tinto Alcan Iceland Ltd. The receiver is liable for any misuse.

Fjöldi stúka / Number of pieces	IV III I	Hlutur / Object	IDP 410 - SUBSTATION
AFM / Item	HRV	Efni / Material	60 kv SWITCHGEAR BLD. REINFORCEMENT BASEMENT SLAB
Stærð / Format	A1	Skala / Scale	1:20, 1:50
Stærð / Format	4011	Kostnaður / Cost	4011
Tekni / Drawn	AFV/HS	Yfirráð / Checked	Ni
Stærð / Format	250145	Stærð / Format	2

